

ME21H706MQS

2.1 cu. ft. Over-the-Range Microwave

Features

- Smart Multi Sensor
- Ceramic Enamel Interior
- Extra-Large 2.1 cu. ft. Capacity
- 1000 Watts Cooking Power
- 400 CFM Ventilation System
- LED Cooktop Lighting
- Simple Clean Filter
- Charcoal/Grease Vent Filter
- 10 Power Levels
- Sensor Cook
- Two-Stage Programmable Cooking
- Smart & 1 Pound Defrost
- Auto Cook
- Chrome Rack
- Touch Control
- LED Display

Convenience

- Clock (12hr/24hr) with Daylight Savings Time Adjustment
- Kitchen Timer
- End Signal
- Interior Light: Halogen
- Cooktop Lighting (LED): High/Low/Off
- Vent Fan Control: On/Off/Delay Off
- Child Safety Lock
- Sound On/Off
- Eco Mode (Reduces Standby Power)



Smart Multi Sensor



Ceramic Enamel Interior

Available Colors



Stainless Steel
(shown)



Black Stainless

Signature Features

SMART MULTI SENSOR

- Smart Multi Sensor automatically senses the temperature of foods at the rate of 3 times per sec and controls its heating level and time to make the foods the desired condition without overcooking.

CERAMIC ENAMEL INTERIOR

- Scratch-resistant and easy-to-clean interior.
- Effortlessly remove grease or oil from surfaces and protect against scratches that occur from daily use.

LED COOKTOP LIGHT

- More energy efficient and significantly brighter than halogen or incandescent bulbs.
- LED Bulbs last longer, requiring less frequent replacement.
- Evenly distributes a soft, bright light across your cooktop.

SIMPLE CLEAN FILTER

- Convenient, easy-to-access location is simple to eject with one touch and helps you remember when to clean the filter.



Ranked **"Highest in Customer Satisfaction with Over the Range Microwaves."***

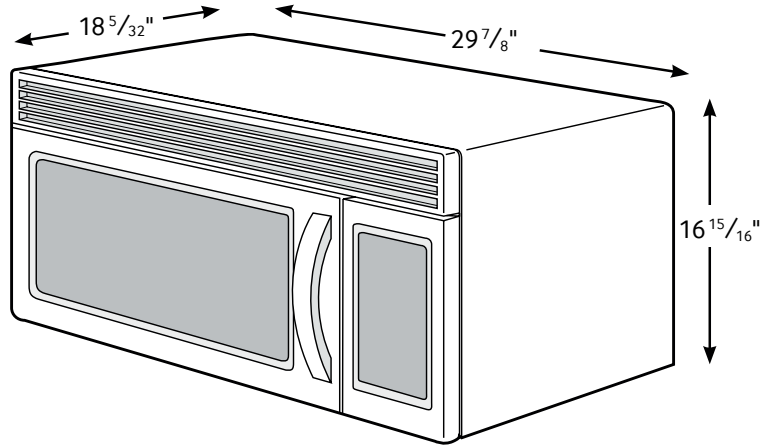
—J.D. Power

SAMSUNG

ME21H706MQS

2.1 cu. ft. Over-the-Range Microwave

Dimensions

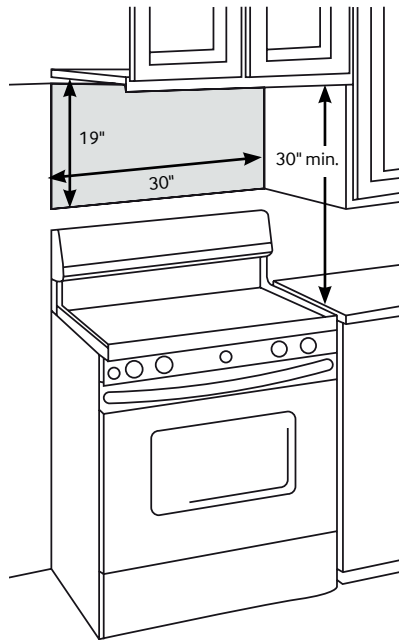


Installing your Microwave

- This microwave oven is designed for adaptation to the following three types of ventilation:

- A. Outside Top Exhaust (Vertical Duct)
- B. Recirculating (Non-Vented Ductless)
- C. Outside Back Exhaust (Horizontal Duct)

- The space between the cabinets must be 30" wide and free of obstructions.
- This microwave oven is for installation over ranges up to 36" wide.
- The microwave must be level. Use a level to make sure the cabinet bottom is level. If the cabinets have a front overhang only, with no back or side frame, install the mounting plate down the same distance as the front overhang depth. This will keep the microwave level.



FOR EASIER INSTALLATION AND PERSONAL SAFETY, WE RECOMMEND THAT TWO PEOPLE INSTALL THIS MICROWAVE OVEN. IMPORTANT: Do not grip or use handle during installation.

NOTE: If your cabinet is metal, use the nylon grommet around the power cord hole to prevent cutting of the cord.

NOTE: We recommend using filler blocks if the cabinet front hangs below the cabinet bottom shelf.

IMPORTANT: If filler blocks are not used, case damage may occur from over tightening screws.

NOTE: When mounting the microwave oven, thread power cord through hole in bottom of top cabinet. Do not pinch cord or lift oven by pulling cord.

Specifications

- Oven Cavity: 2.1 cu. ft.
- Power Output: 1000 W
- Power Consumption: 17000 W/14.5 A
- Power Source: 120 V/60 Hz
- Control Method: Digital (Membrane Touch)
- Display: LED
- Cooking Control: 10 Power Levels Including Defrost
- Cooking Timer: Digital, up to 99 Minutes, 99 Seconds
- Microwave Distribution System: Rotating Turntable + Stirrer
- Glass Turntable Diameter: 14 3/16"
- Chrome Rack (1)
- Vent Fan: 400 CFM
- Vent Fan Control: On/Off/Delay Off
- Cooktop Lighting: High/Low/Off
- Halogen Interior Light

Warranty

One (1) Year All Parts and Labor
Ten (10) Years Parts on Magnetron

Product Dimensions & Weight (WxHxD)

Cavity Dimensions:
22 1/8" x 10 13/16" x 14 27/32"

Outside Net Dimensions:
29 7/8" x 16 15/16" x 18 5/32"

Weight: 59.2 lbs.

Shipping Dimensions & Weight (WxHxD)

Dimensions:
33 3/8" x 20 3/4" x 19 13/32"

Weight: 65.9 lbs.

Color	Model #	UPC Code
Stainless Steel	ME21H706MQS	887276046044
Black Stainless	ME21H706MQG	887276118222

SAMSUNG

*Samsung received the highest numerical score for over the range microwaves in the proprietary J.D. Power 2014 Kitchen Appliance Study™. Study based on 15,380 total responses measuring 15 over the range microwave brands and measures opinions of consumers about their new appliance purchased in the past 24 months. Proprietary study results are based on experiences and perceptions of consumers surveyed in January-March 2014. Your experiences may vary. Visit jdpower.com.

Actual color may vary. Design, specifications, and color availability are subject to change without notice. Non-metric weights and measurements are approximate.

©2015 Samsung Electronics America, Inc. 85 Challenger Road, Ridgefield Park, NJ 07660. Tel: 800-SAMSUNG. samsung.com. Samsung is a registered trademark of Samsung Electronics Co. Ltd.