

 **Electrolux**

Factory Parts Catalog

Product No.	EI24MO45IBB
Market	North America
Color	black
Volts	120
Watts	1100
Wiring Diagram	5995567723
Owner's Guide	TINSEB263WRRZ
Installation Instructions	TINS-B003MRR1

 **Electrolux**

Electrolux Major Appliances

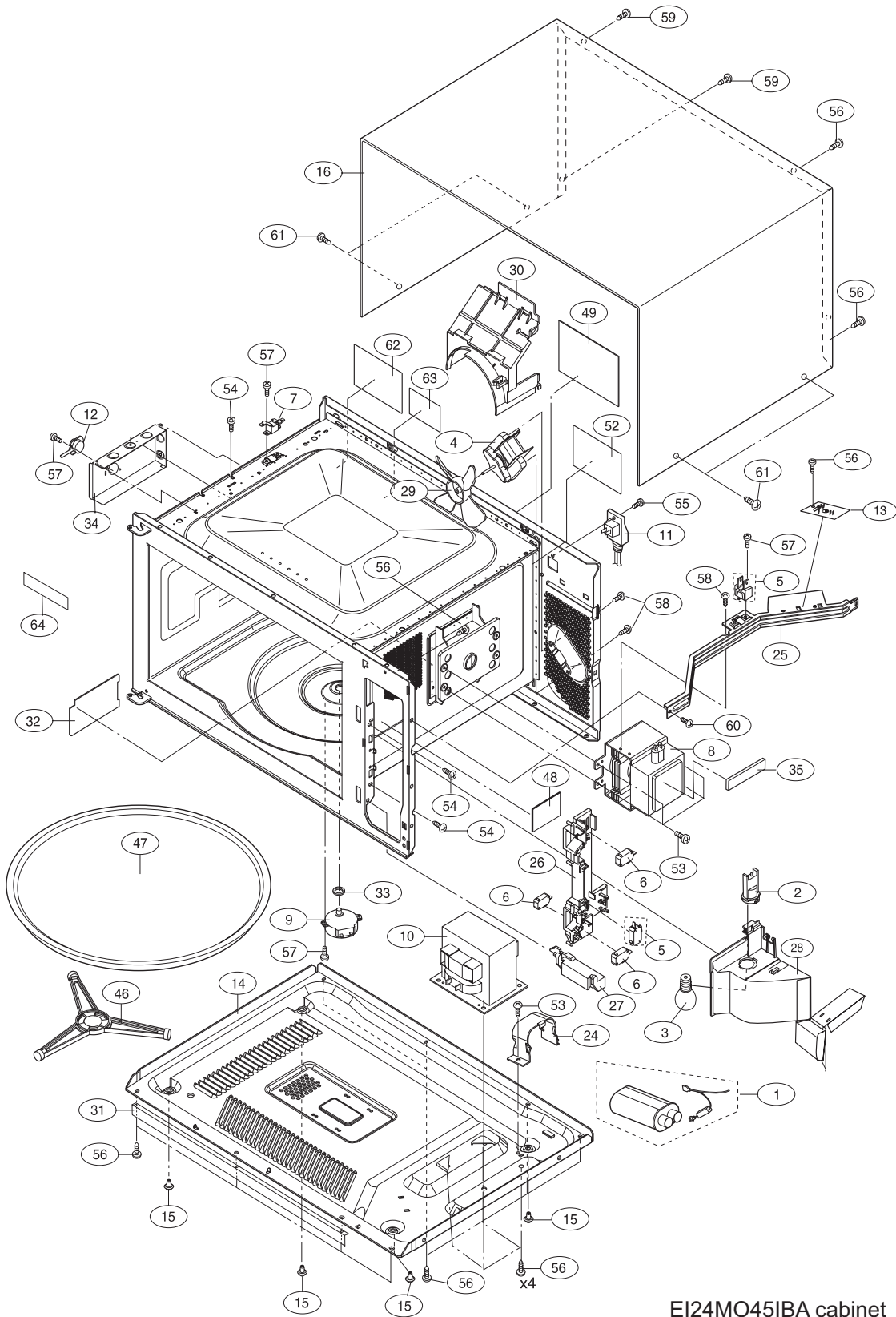
P.O. BOX 212378
AUGUSTA, GA 30917

Publication No.
5995567723
10/06/03
(EN/SERVICE/KC)
099

BUILT-IN MICROWAVE

Model No.
EI24MO45I

OVEN, CABINET

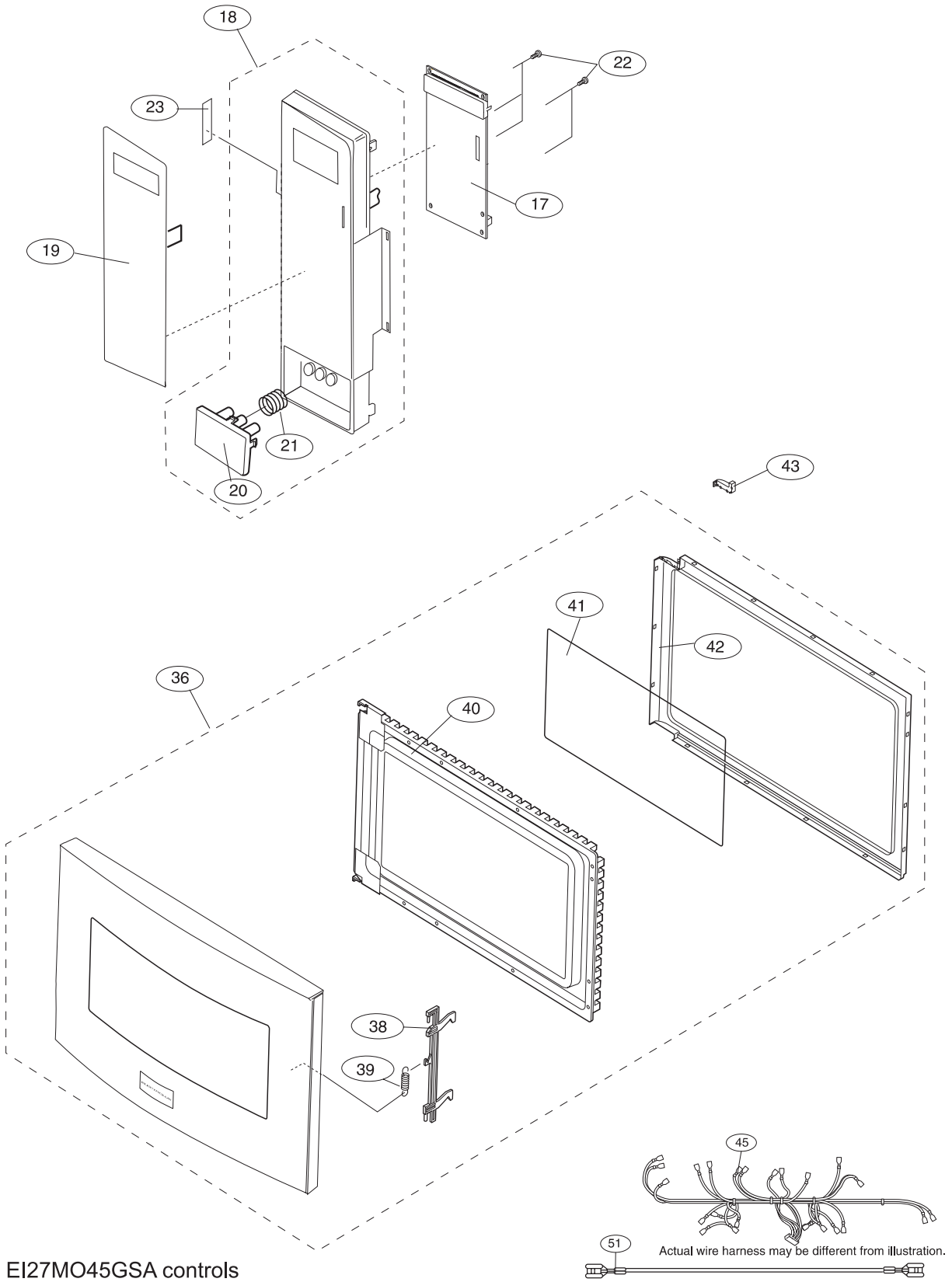


EI24MO45IBA cabinet

OVEN,CABINET

POS. NO	PART NO.	DESCRIPTION
1 #	5304462258	Capacitor/Rectifier Assy, HV
2 #	5303319561	Receptacle, lamp socket, oven
3	5304464198	Lamp, oven light
4 #	5304448490	Motor, cooling fan
5 #	5304440027	Switch Kit, monitor, with CT fuse
6 #	5304440026	Switch, interlock, door sensor
7 #	5304440780	Fuse, cavity temp, 20 Amp, 250 V
8 #	5304472253	Magnetron
9 #	5304440021	Motor, turntable
10 #	5304473321	Transformer, power
11 #	5304478937	Power Cord, electric
12 #	5304440785	Sensor, humidity, cook control
13 #	5303322968	Filter, noise, electronic
14	5304478938	Base, unit chassis
15	5304478939	Foot, cabinet support
16	5304478940	Cabinet, outer casing, black
24	5304478941	Retainer, capacitor strap
25	5304478942	Bracket, chassis support
26	5304478943	Latch Hook
27	5304478944	Lever, door release
28	5304464197	Duct, magnetron
29 #	5304467720	Fan Blade, mag cooling fan
30	5304478945	Duct, cooling fan
31	5304478946	Filler Strip, base plate, bottom
32	5304478947	Cover, waveguide
33	5304467718	Bushing, motor shaft, turntable
34	5304478948	Duct, humidity sensor
35	5304478949	Cushion, magnetron pad
46	5304478951	Support Assy, turntable, roller
47	5304440868	Tray, turntable, glass
48	5304467771	Label, Caution-monitor
49	5304467770	Label, Caution-DHHS
52	5304468230	Label, HWC Caution
53	5303319636	Screw
54	5303319641	Screw
55	5304462315	Screw, 4 mm x 12 mm, ground
56	5304451553	Screw, 4 mm x 12 mm
57	5304453725	Screw, 3mm x 8mm
58	5304450253	Screw, 4 mm x 8 mm
59	5304440873	Screw, Torx, tamper proof
60	5304462316	Screw
61	5304452261	Screw, black, outer casing
62	5304453941	Label, caution, UL screw
63	5304451535	Label, height caution
64	5304472255	Label, menu

CONTROL PANEL, DOOR, MISC.



EI27MO45GSA controls

CONTROL PANEL,DOOR,MISC.

POS. NO	PART NO.	DESCRIPTION
17 #	5304464192	Control Board, printed circuit
18 #	5304464194	Control Panel Assy, frame, black
19 #	5304464898	Touch Control, key pad, black
20	5304464196	Push Button, door, black
21	5303319583	Spring, door button
22	5304456930	Screw, 3 mm x 10 mm
23	5304468232	Label, User Caution
36	5304472254	Door Assy, complete, black
38	5304440856	Latch, door
39	5304440316	Spring, door latch
40	5304440857	Panel, inner door, black
41	5304440860	Seal, door, film
42	5304440861	Choke Cover, inner door
43	5304442145	Door Stop
45 #	5304478950	Wiring Harness, main
51 #	5304440870	Wire, high voltage-A

WIRING DIAGRAM

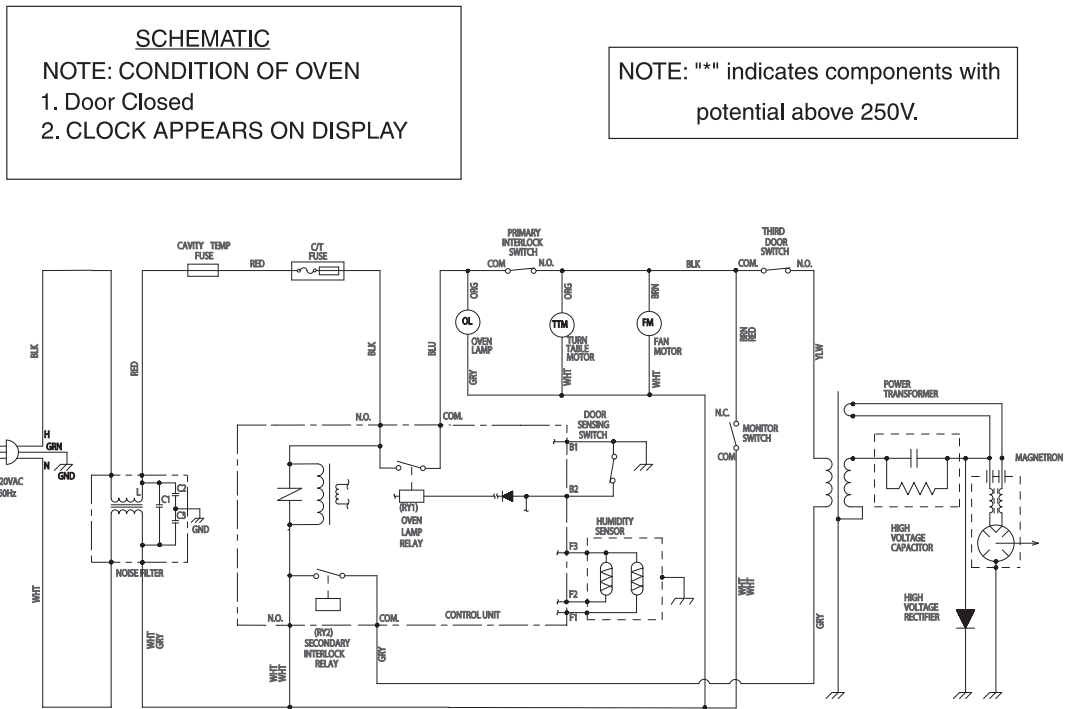


Figure O-1 Oven Schematic - Off Condition

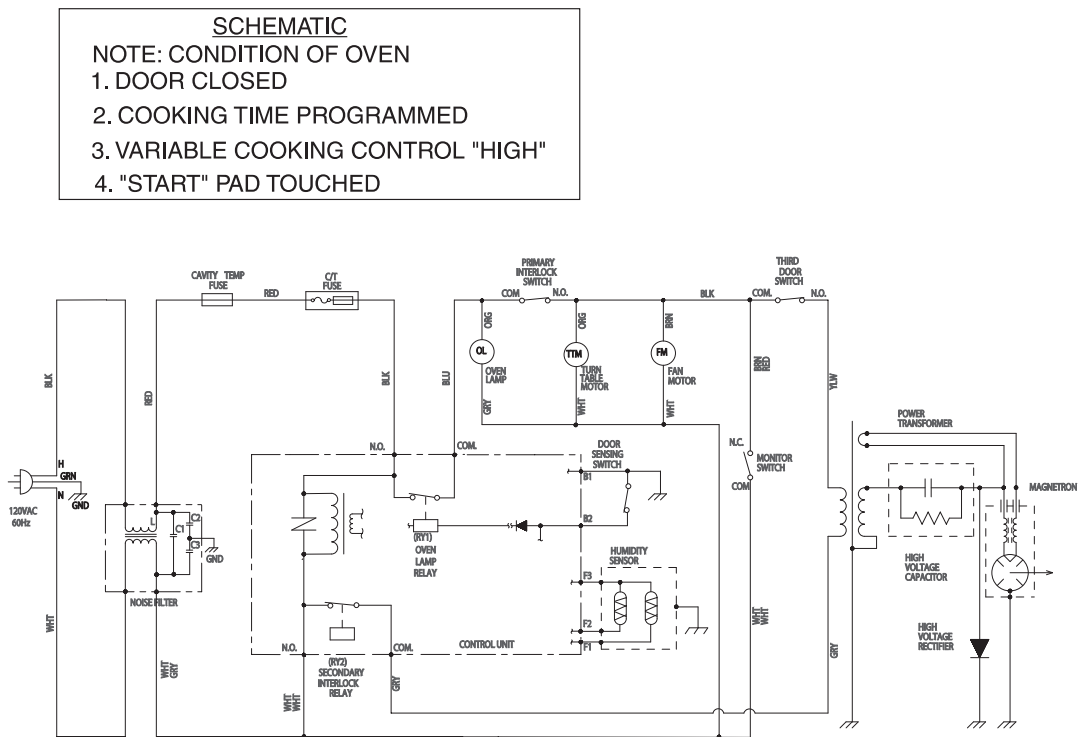


Figure O-2 Oven Schematic - Cooking Condition