

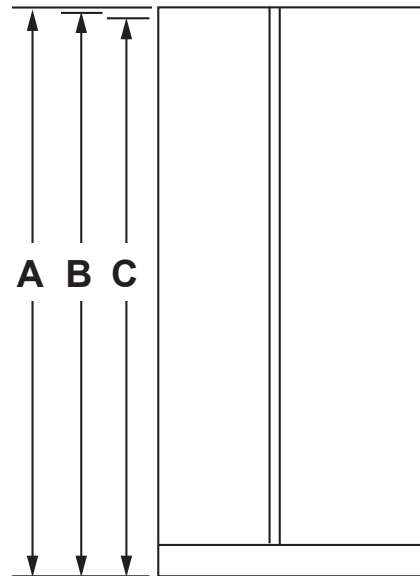
CZS22MSK

GE Café™ Series 22.1 Cu. Ft. Counter-Depth Side-by-Side Refrigerator

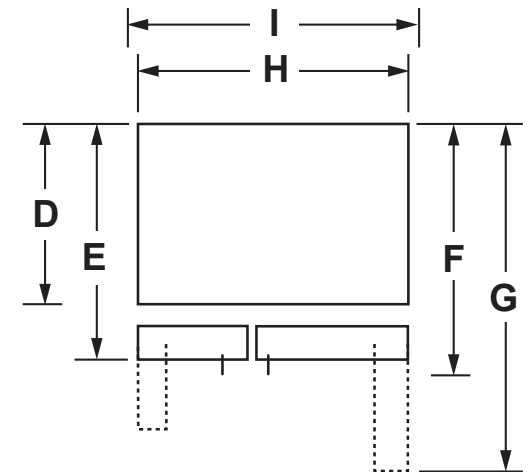
DIMENSIONS AND INSTALLATION INFORMATION (IN INCHES)

OVERALL DIMENSIONS	Height to top of door (in.) A	69-7/8
	Height to top of hinge (in.) B	69-1/4
	Height to top of case (in.) C	69
	Case depth without door (in.) D	24-1/8
	Case depth less door handle (in.) E	28-1/2
	Case depth with door handle (in.) F	31
	Depth with fresh food door open 90° (in.) G	46-1/4
	Width (in.) H	35-3/4
	Width with door open 90° inc. door handle (in.) I	43-1/4
AIR	Each side (in.)	1/8
	Top (in.)	1
	Back (in.)	2

FRONT VIEW



TOP VIEW



For answers to your Monogram, GE Café™ Series, GE Profile™ Series or GE Appliances product questions, visit our website at geappliances.com or call GE Answer Center® Service, 800.626.2000.



CZS22MSK

GE Café™ Series 22.1 Cu. Ft. Counter-Depth Side-by-Side Refrigerator

DIMENSIONS AND INSTALLATION INFORMATION (IN INCHES)

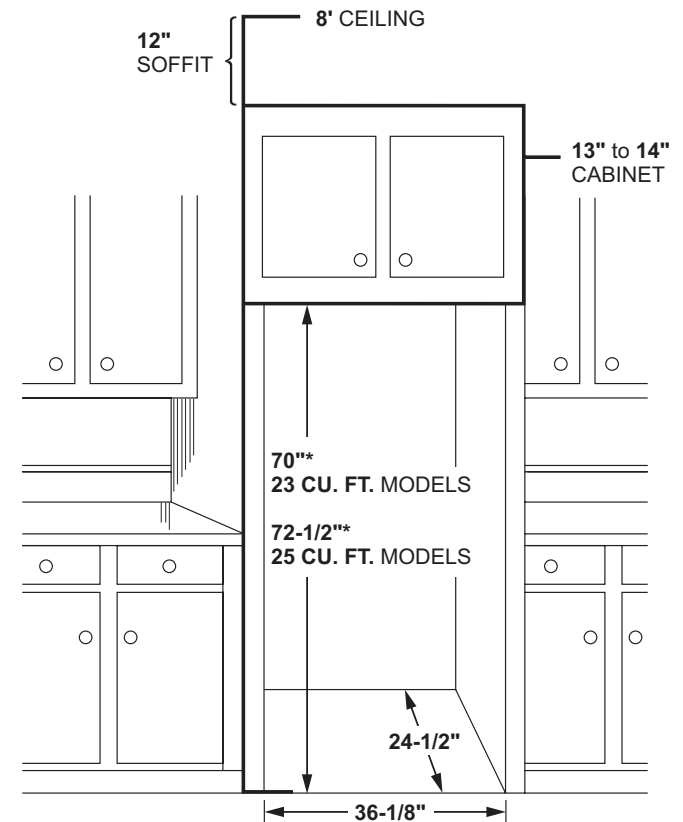
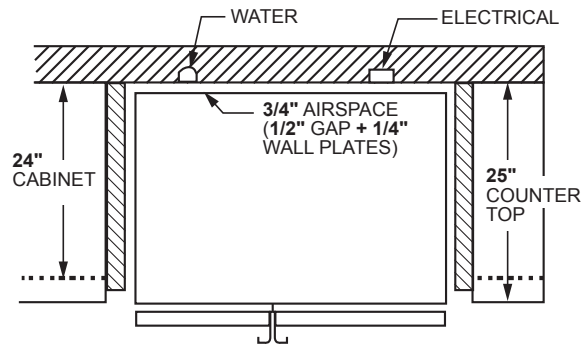
INSTALLATION TIPS TO MAXIMIZE THE BUILT-IN LOOK

All wall/floor molding should be removed prior to installation.

Water recess on rear wall recommended to prevent water line damage.
48" minimum length, 1/4" diameter water line tubing recommended.

When possible, recess both copper water line and electrical outlet.
(See local codes)

Front and rear leveling legs are adjustable for the built-in look.
(See owner's manual)



*The rough-in dimensions of 70" for 23 cu. ft. models and 72-1/2" for 25 cu. ft. models are minimum and measured from the finished floor to top of opening (or the underside of the overhead cabinets). For Models with Trim Kit: If frameless style cabinets are planned for above the refrigerator, you may need to consider adding a maximum of 1/4" (70-1/4") to height of opening for 23 cu. ft. models and 1/8" (72-5/8") for 25 cu. ft. models to allow for additional clearance between the cabinet doors and the top of refrigerator trim when the cabinet doors are in open position.



For answers to your Monogram, GE Café™ Series, GE Profile™ Series or GE Appliances product questions, visit our website at geappliances.com or call GE Answer Center® Service, 800.626.2000.



CZS22MSK

GE Café™ Series 22.1 Cu. Ft. Counter-Depth Side-by-Side Refrigerator

FEATURES AND BENEFITS

Counter-depth design – Offers a built-in look by fitting nearly flush with surrounding cabinetry

LED Lighting – Illuminates the fresh food compartment, vegetable drawer and climate-controlled drawers to spotlight food without compromising space

Quick Ice setting – Create ice up to 50% faster than normal settings

Turbo Cool setting – Restores proper temperature to the refrigerator after frequent door openings

Quick Space shelf – Quickly slides out of the way to make room for tall items

Advanced water filtration uses MWF replacement filter – Reduces trace pharmaceuticals from water and ice* (* Removes 98% of ibuprofen, atenolol, fluoxetine, progesterone and trimethoprim. These pharmaceuticals are not necessarily in all users' water)

Adjustable slide-out, spillproof glass shelves – Raised edges help contain spills and make clean up quick and easy

Adjustable Clear Look door bins – Offers ideal space for large containers in the door and frees up valuable shelf space

Adjustable-humidity drawers – Controls helps food stay fresh

Glass freezer shelves – Enjoy a high-end appearance with secure storage for a variety of items

Model CZS22MSKSS – Stainless steel

