



Slide-In Ranges

FFGS3025P S/W/B

30" Gas



Signature Features

Large Capacity

Our large capacity oven gives you room to cook more at once.

Even Baking Technology

Our even baking technology ensures even baking every time.

One-Touch Self Clean

Our one-touch self-cleaning button gives you a clean oven at the touch of a button.

Continuous Grates

Continuous Grates make it easy to move heavy pots and pans between burners without lifting.

Product Dimensions

| | |
|---------------|----------|
| Height (Max.) | 36-5/8" |
| Width | 30" |
| Depth | 28-5/16" |

More Easy-To-Use Features

Extra-Large Window

Check on the status of your dish without having to open the oven door.

Built with American Pride

Appliances that are high-performing, more accessible, and more innovative than ever—designed, built, and engineered in the U.S.A.

Ready-Select® Controls

Easily control your cooking temperature with our easy-to-use controls.

Sealed Gas Burners

Enjoy easier cleanup and a burner that stays looking great.

Store-More™ Storage Drawer

With the Store-More™ Storage Drawer, you will have extra space to store your cookware.

Matte Black Finish with Cast Iron Grates

A premium finish to complement the durable burner grates.

Oven Rack Handles

Oven racks are designed with space for you to easily pull out the racks, even when wearing an oven mitt.

A.D.A. Compliant

When properly installed, this model is A.D.A.-qualified based on the United States Access Board's A.D.A./A.B.A. Accessibility Guidelines and the Department of Justice's 2010 A.D.A. Standards for Accessible Design.

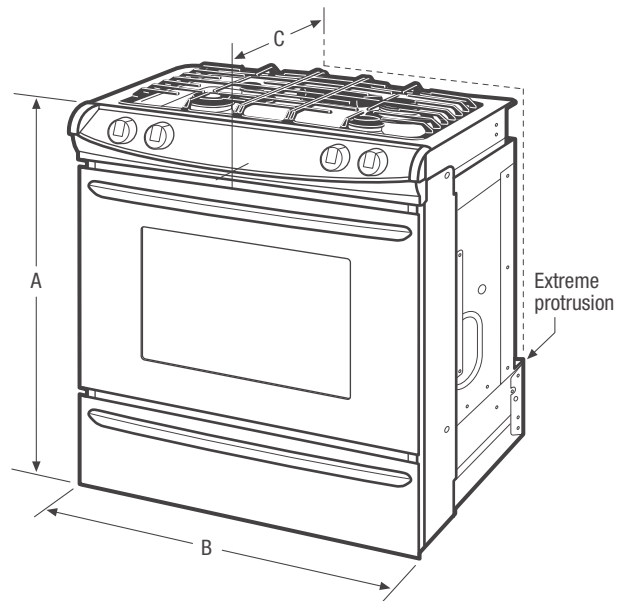


Available in:



| Burners | BTU |
|-------------|--------|
| Right Front | 15,000 |
| Right Rear | 5,000 |
| Left Front | 9,500 |
| Left Rear | 9,500 |

| | |
|---|--|
| Features | |
| Oven Control/Timing System | Ready-Select® Controls |
| Surface Type | Deep-Well Black Porcelain (S), Deep-Well Color-Coordinated Porcelain (W/B) |
| Sealed Gas Burners | Yes |
| Grates | Continuous Cast Iron with Black Matte Finish |
| Window | Extra-Large |
| Exterior Door Finish | Stainless Steel (S), Color-Coordinated (W/B) |
| Handle Design | Stainless Steel (S), Color-Coordinated (W/B) |
| Exterior Finish (Side Panels) | Black (S), Color-Coordinated (W/B) |
| Convection System | |
| Oven Cleaning System | Self-Clean |
| Drawer Functionality | Storage |
| Oven Controls | |
| Bake | Yes |
| Broil | Low and High |
| Add-a-Minute | |
| Delay Start | Yes |
| Self Clean/Clean Options | Yes/2, 3 Hours |
| Steam Clean | |
| Delay Clean | 2, 3 Hours (Scroll Thru) |
| Kitchen Timer | Yes |
| Timed Cook Option | Yes |
| Auto Oven Shut-Off | 12 Hours |
| Cooktop Features | |
| Right Front Burner (BTU) | 15,000 |
| Right Rear Burner (BTU) | 5,000 |
| Left Front Burner (BTU) | 9,500 |
| Left Rear Burner (BTU) | 9,500 |
| Center Extra Zone Burner (BTU) | |
| Oven Features | |
| Capacity (Cu. Ft.) | 4.5 |
| Oven Light | 1 |
| Rack Configuration | 2 Handle Racks |
| Even Baking System | Yes |
| Broiling System | Vari-Broil™ Hi/Lo |
| Bake Burner / Broil Burner (BTU) | 18,000/11,500 |
| Optional Accessories | |
| Rear Filler Kit - Stainless Steel (S)/ White (W) / Black (B) | (S) PN# 901193-901S (W) PN# 901193-9011 (B) PN# 901193-9010 |
| Side Panel Kit - Stainless Steel (S)/ White (W) / Black (B) | (S) PN# 903074-901S (W) PN# 903074-9011 (B) PN# 903074-9010 |
| Backguard Kit - Stainless Steel (S)/ White (W) / Black (B) | (S) PN# 903046-901S (W) PN# 903046-9011 (B) PN# 903046-9010 |
| Side Trim Kit - Stainless Steel (S)/ White (W) / Black (B) | (S) PN# 903075-901S (W) PN# 903075-9011 (B) PN# 903075-9010 |
| Certifications | |
| A.D.A. Compliant ¹ | Yes |
| Sabbath Mode (Star-K® Certified) | |
| Specifications | |
| Oven Interior (H x W x D) | 17-1/2" x 24-1/8" x 18-3/4" |
| Power / Gas Supply Conn. Location | Left / Right Bottom Rear |
| LP Gas Conversion Kit | Included |
| Voltage Rating | 120V / 60 Hz / 15A |
| Connected Load (kW Rating) @ 120 Volts ² | 0.7 |
| Amps @ 120 Volts | 15 |
| Shipping Weight (Approx.) | 220 Lbs. |



NOTE: For planning purposes only. Always consult local and national electric and gas codes. Refer to Product Installation Guide for detailed installation instructions on the web at frigidaire.com.



| Product Dimensions | |
|--------------------------|-------------------|
| A - Height (Min./Max.) | 35-7/8" / 36-5/8" |
| B - Width | 30" |
| C - Depth | 28-5/16" |
| Depth with Door Open 90° | 47-9/16" |

| Cutout Dimensions | |
|--------------------|------------------------|
| Height (Min./Max.) | 35-7/8" / 36-5/8" |
| Width (Min./Max.) | 29-15/16" / 30-1/16" * |
| Depth (Min./Max.) | 21-3/4" / 22-1/8" ** |

*Cutout and countertop cutout width should match.
**24" with optional backguard installed.

¹When properly installed, this model is A.D.A.-qualified based on the United States Access Board's A.D.A./A.B.A. Accessibility Guidelines and the Department of Justice's 2010 A.D.A. Standards for Accessible Design.

²For use on adequately wired 120V, dedicated circuit having 2-wire service with a separate ground wire. Appliance must be grounded for safe operation.

Accessories information available on the web at frigidaire.com

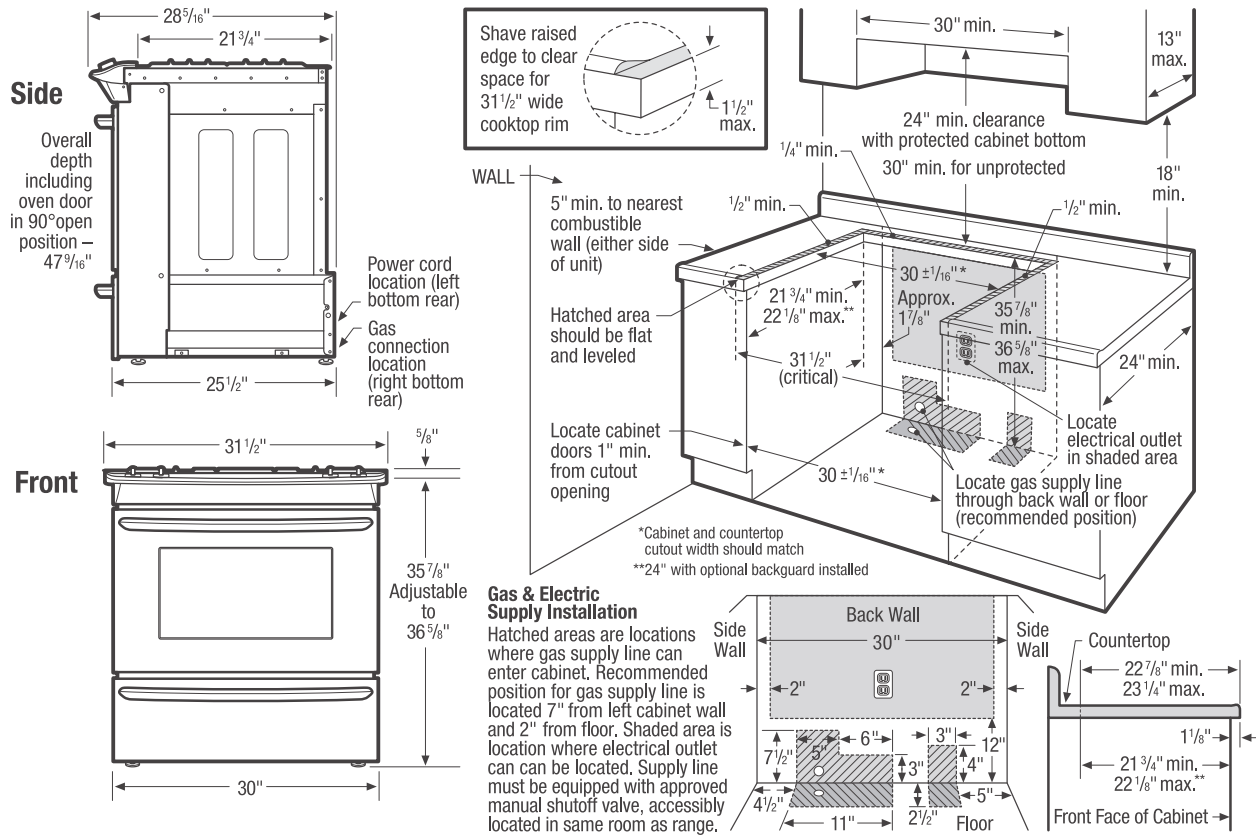
FRIGIDAIRE

USA • 10200 David Taylor Drive • Charlotte, NC 28262 • 1-800-FRIGIDAIRE • frigidaire.com
CANADA • 5855 Terry Fox Way • Mississauga, ON L5V 3E4 • 1-800-265-8352 • frigidaire.ca

FFGS3025P 10/14

© 2014 Electrolux Home Products, Inc.

Specifications subject to change.



Slide-In Range Specifications

- Product Shipping Weight (approx.) - 220 Lbs.
- Voltage Rating - 120V / 60 Hz / 15 Amps
- Connected Load (kW Rating) @ 120 Volts = 0.7 kW (For use on adequately wired 120V, dedicated circuit having 2-wire service with a separate ground wire. Appliance must be grounded for safe operation.)
- Amps @ 120V = 15 Amps
- Always consult local and national electric and gas codes.
- Make sure wall coverings around range can withstand heat generated by range.
- Linoleum or any other synthetic floor covering located beneath range, must be capable of withstanding minimum heat of 90°F above room temperature without shrinking, warping or discoloring. Insulating pad or 1/4"-thick plywood required between range and a carpeted floor.
- Do not obstruct flow of combustion air at oven vent nor around base or beneath lower front panel of range. Range requires fresh air for proper burner combustion.
- Range ships with 3/4" factory regulator.
- LP Gas Conversion Kit supplied.
- Gas supply line can enter cabinet through back wall or floor. Recommended position for gas supply line is located 7" from left cabinet wall and 2" from floor. Electrical outlet can be located anywhere on the back wall 2" from either side wall and 12" from floor. Supply line must be equipped with approved manual shutoff valve, accessibly located in same room as range.
- Countertop MUST be level in all directions and adjustable range height at least 1/16" greater than tallest cabinet height, to ensure metal rangetop flange will fit properly on countertop edge.
- When installing optional Backguard Kit, cutout depth of 21-3/4" minimum / 22-1/8" maximum needs increased to 24".
- Overhead cabinetry should not exceed a 13" maximum depth.
- Absolute minimum horizontal distance between overhead cabinets installed to either side of appliance must be no less than maximum width of appliance.

- Allow 24" minimum clearance between rangetop and bottom of cabinet when bottom of wood or metal cabinet is protected by not less than 1/4" flame-retardant millboard covered with not less than No. 28 MSG sheet steel, 0.015" stainless steel, 0.024" aluminum or 0.020" copper. Allow 30" minimum clearance when cabinet is unprotected.
- Allow 5" minimum clearance from edge of rangetop to nearest combustible wall on either side of unit.
- To reduce risk of fire when using overhead cabinetry, install range hood that projects horizontally a recommended minimum of 5" beyond bottom of cabinets.

Countertop Preparation

- Rangetop's side flanges overlap countertop cutout edges - for detailed preparation instructions, refer to product installation guide on the web.
- **Flat Square-Finish Countertops** - require no preparation since rangetop's flange lays directly on countertop edge.
 - **Formed Front-Edged Countertops** - require front molded edge to be shaved flat 3/4" from each front corner of opening.
 - **Tile Countertops** - may need trim cut back 3/4" from each front corner of opening and/or rounded edge flattened.
 - For existing cutout width greater than 30-1/16" reduce the 3/4" overlap dimension; for cutout width of 29", replace actual side trim panels with smaller side trim panels, available with optional Side Trim Kit (refer to detailed kit installation instructions).

Note: For planning purposes only. Refer to Product Installation Guide on the web at frigidaire.com for detailed instructions.

Optional Accessories

- Rear Filler Kit: Stainless Steel - (PN# 901193-901S), White - (PN# 901193-9011), Black - (PN# 901193-9010).
- Side Panel Kit: Stainless Steel - (PN# 903074-901S), White - (PN# 903074-9011), Black - (PN# 903074-9010).
- Backguard Kit: Stainless Steel - (PN# 903046-901S), White - (PN# 903046-9011), Black - (PN# 903046-9010).
- Side Trim Kit: Stainless Steel - (PN# 903075-901S), White - (PN# 903075-9011), Black - (PN# 903075-9010).

FRIGIDAIRE

USA • 10200 David Taylor Drive • Charlotte, NC 28262 • 1-800-FRIGIDAIRE • frigidaire.com
 CANADA • 5855 Terry Fox Way • Mississauga, ON L5V 3E4 • 1-800-265-8352 • frigidaire.ca



Use these dimensions and clearance instructions for planning purposes only. For detailed installation instructions, refer to installation guide, packed with product, or on the web at frigidaire.com.



*When installing top mount refrigerator adjacent to wall, cabinet or other appliance that extends beyond front edge of unit, 20" minimum clearance recommended to allow for optimum 140° door swing, providing complete crisper access and removal. (Absolute 3" minimum clearance will ONLY allow for 90° door swing which will provide limited crisper access with restricted removal.)

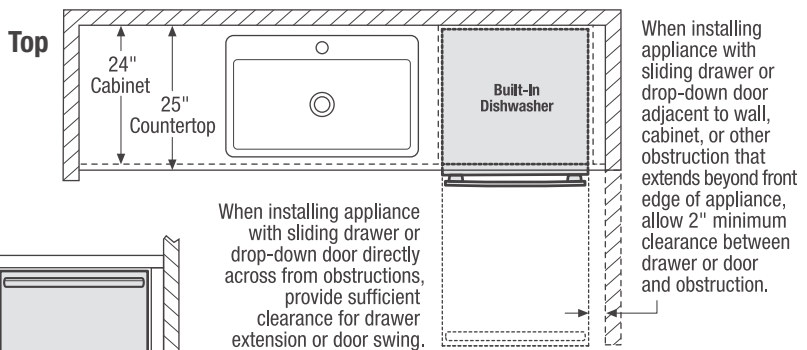


Use these dimensions and clearance instructions for planning purposes only. For detailed installation instructions, refer to installation guide, packed with product, or on the web at frigidaire.com.



*When installing French door refrigerator adjacent to wall, cabinet or another appliance that extends beyond front edge of unit, 20" minimum clearance recommended to allow for optimum 120° to 180° door swing, providing complete drawer/crisper access and removal. (Absolute 4-1/2" minimum clearance will ONLY allow for 90° door swing which will provide limited drawer/crisper access with restricted removal.)

When installing appliance with sliding drawer, swinging or drop-down door directly across from obstructions, provide sufficient clearance for drawer extension or door swings.



Use these dimensions and clearance instructions for planning purposes only. For detailed installation instructions, refer to installation guide, packed with product, or on the web at frigidaire.com.

