

FFGF3016T S/M/W/B

FREESTANDING RANGES

30" GAS



AVAILABLE COLORS



Stainless



Silver Mist



White



Black

PRODUCT DIMENSIONS

Height (Max.) 46-9/16"

Width 29-7/8"

Depth (Incl. Handle) 29-1/4"

MORE EASY-TO-USE FEATURES

Color-Coordinated Oven Door with Extra-Large Window

Our extra-large oven window makes it easier to check on the status of your dish without having to open the oven door.

Electronic Kitchen Timer

Times up to 12 hours.

Manual Clean Oven

HEAD	BTU
Right Front	14,000
Right Rear	5,000
Left Front	9,500
Left Rear	9,500

SIGNATURE FEATURES

Sealed Gas Burners

Enjoy easier cleanup and a burner that stays looking great.

Broil and Serve Drawer

Easily toast, brown, or crisp the outside of your food at the touch of a button.

Built with American Pride

Designed, engineered and assembled in the U.S.A.

Low Simmer Burner

Perfect for cooking delicate foods and sauces.

FFGF3016T S/M/W/B FREESTANDING RANGES

FRIGIDAIRE

30" GAS

FEATURES

Oven Control/Timing System	Ready-Select® Controls
Surface Type	Black Porcelain (S/M), Color-Coordinated Porcelain (W/B)
Sealed Gas Burners	Yes
Grates	Black Square Wire
Window	Extra-Large
Exterior Door Finish	Stainless (S), Silver Mist (M), Color-Coordinated (W/B)
Handle Design	Stainless (S), Black (M), Color-Coordinated (W/B)
Exterior Finish (Side Panels)	Black (S/M), Color-Coordinated (W/B)
Oven Cleaning System	Manual Clean
Drawer Functionality	Broil & Serve

OVEN CONTROLS

Bake	Yes
Broil	Yes
Kitchen Timer	Yes

COOKTOP FEATURES

Right Front Burner (BTU)	14,000
Right Rear Burner (BTU)	5,000
Left Front Burner (BTU)	9,500
Left Rear Burner (BTU)	9,500

OVEN FEATURES

Capacity (Cu.Ft.)	4.2
Oven Light	1 Incandescent 40W
Rack Configuration	2 Standard
Baking System	Even Baking Technology
Broiling System	Vari-Broil™ (Hi/Lo)
Bake Burner/Broil Burner (BTU)	18,000/16,000

OPTIONAL ACCESSORIES

LP Gas Conversion Kit	PN# GRLP4
-----------------------	-----------

SPECIFICATIONS

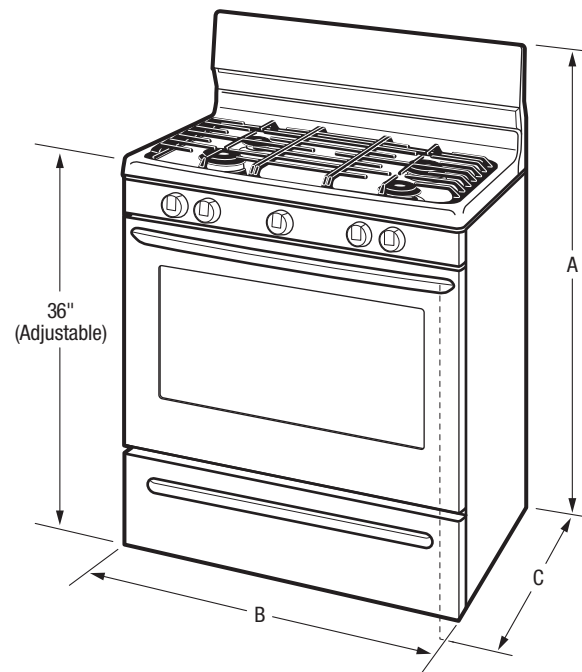
Oven Interior (H x W x D)	17" x 23" x 18-3/4"
Power Supply Connection Location	Center Bottom Rear
Gas Supply Connection Location	Right Bottom Rear
Voltage Rating	120V/60Hz/5A
Amps @ 120 Volts	5
Shipping Weight (Approx.)	160 Lbs.

PRODUCT DIMENSIONS

A - Height (Max.)	46-9/16"
B - Width	29-7/8"
C - Depth (Incl. Handle)	29-1/4"
Depth with Door Open 90°	46-5/8"

CABINET CUTOUT DIMENSIONS

Height (Standard)	36"
Width (Min.)	30"
Depth (Min.)	24"



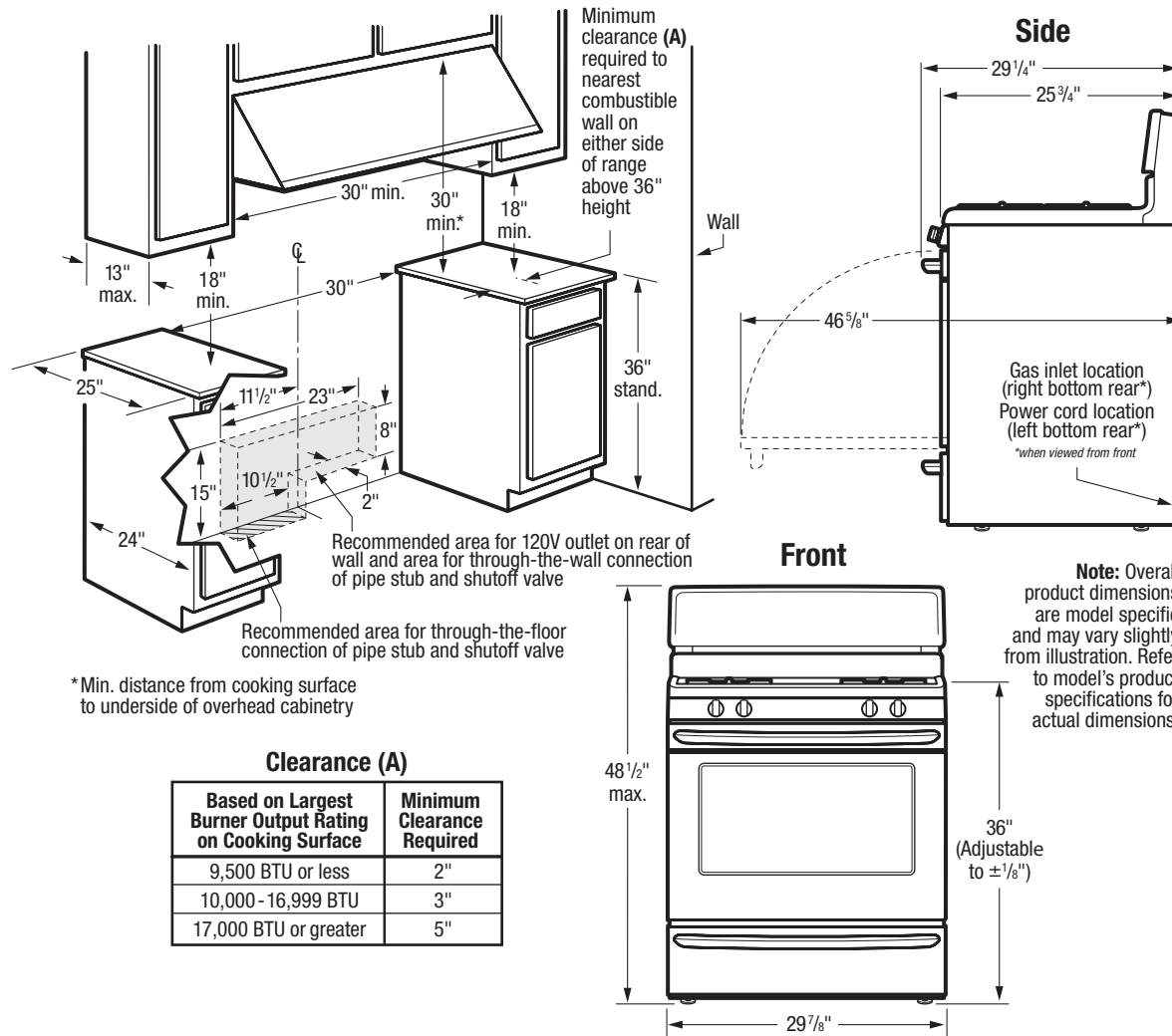
Note: For planning purposes only. Always consult local and national electric, gas and plumbing codes. Refer to Product Installation Guide for detailed installation instructions on the web at frigidaire.com.

Specifications subject to change. Accessories information available on the web at frigidaire.com

FRIGIDAIRE

USA • 10200 David Taylor Drive • Charlotte, NC 28262 • 1-800-FRIGIDAIRE • frigidaire.com
CANADA • 5855 Terry Fox Way • Mississauga, ON L5V 3E4 • 1-800-265-8352 • frigidaire.ca

FFGF3016T 07/18
© 2018 Electrolux Home Products, Inc.



INSTALLATION SPECIFICATIONS

- Product Shipping Weight (approx.) - 160 Lbs.
- Voltage Rating - 120V/60 Hz/5 Amps
- Amps @ 120 Volts = 5 Amps
- Always consult local and national electric and gas codes.
- Make sure wall coverings around range can withstand heat generated by range.
- Linoleum or any other synthetic floor covering located beneath range, must be capable of withstanding minimum heat of 90°F above room temperature without shrinking, warping or discoloring. Insulating pad or 1/4"-thick plywood required between range and a carpeted floor.
- Do not obstruct flow of combustion air at oven vent nor around base or beneath lower front panel of range. Range requires fresh air for proper burner combustion.
- Do not install range beneath any downward-blowing, overhead vent hood or air curtain.
- Range ships with 3/4" factory regulator.
- Range is LP Gas convertible. (Optional LP Gas Conversion Kit available.)

- Floor beneath range MUST be solid and level.
- Overhead cabinetry should not exceed a 13" maximum depth.
- Absolute minimum horizontal distance between overhead cabinets installed to either side of appliance must be no less than maximum width of appliance.
- Range can be installed flush to wall with 0" minimum rear clearance.
- Minimum clearance required (from edge of rangetop to nearest combustible wall on either side of range above 36" height) is based on largest burner output rating on cooking surface.
- To reduce risk of fire when using overhead cabinetry, install range hood that projects horizontally a recommended minimum of 5" beyond bottom of cabinets.
- Follow all dimension requirements provided to prevent property damage, potential fire hazard, and incorrect countertop and cabinet cuts.

OPTIONAL ACCESSORIES

- LP Gas Conversion Kit - (PN# GRLP4).

