

ETT304-1, ETT365-2



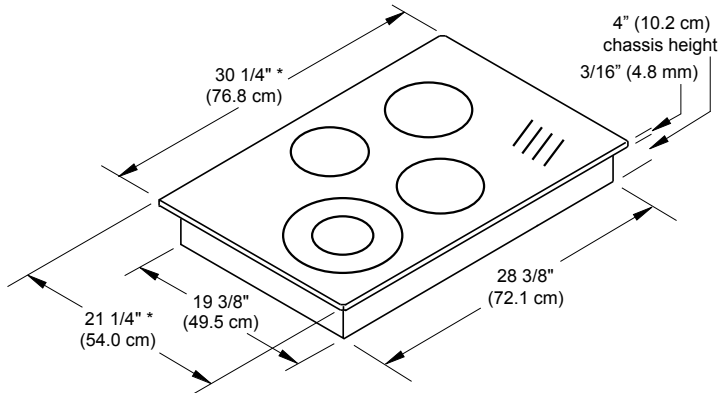
Renaissance® 30" and 36" Wide, Electric Cooktops

PLANNING GUIDE

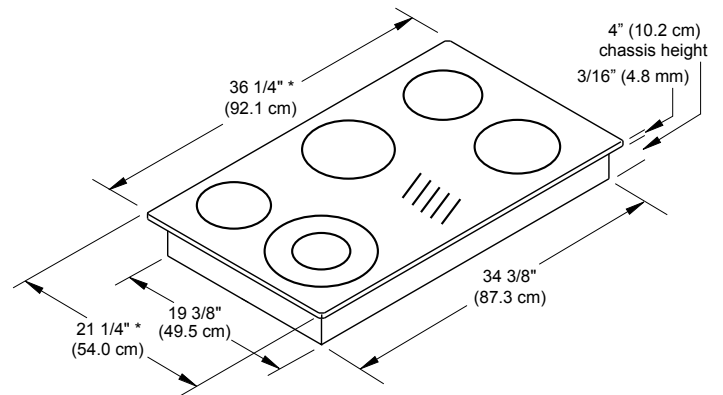
Product tolerances: $\pm 1/16"$ (± 1.6 mm) unless otherwise noted

⚠ WARNING

- Observe all governing codes and ordinances during planning and installation. Contact your local building department for further information.
- This appliance must be installed in accordance with the accompanying installation instructions.



PRODUCT DIMENSIONS - ETT304-1



PRODUCT DIMENSIONS - ETT365-2

* For units with stainless steel trim, other units may be up to 1/8" less.

Model No.	Electrical Circuit Required	Total Connected Load*	Minimum Supply Wire Size Line and Ground Connections
ETT304-1	240 Vac, 60 Hz, 40 Amps.	6.9 kW (29 Amps.)	No. 8 AWG
ETT365-2	240 Vac, 60 Hz, 40 Amps.	9.1 kW (38 Amps.)	

* For reference only, See the product data label on bottom of unit for exact specifications.

ELECTRICAL SUPPLY REQUIREMENTS

NOTES:

1. The cooktop is supplied with a flexible, 48 inch long power conduit consisting of two (2) insulated hot lead conductors (L1 and L2) and one (1) insulated ground conductor. There is no neutral connection. All leads are copper. The conduit is connected to the right corner of the cooktop. Do not connect the ground wire to neutral.
2. Tested in accordance with the latest edition of ANSI Z21.1 and U.L. 858 Standard for household cooking appliances.
3. These cooktops are not approved for recessed installation.



ETT304-1, ETT365-2



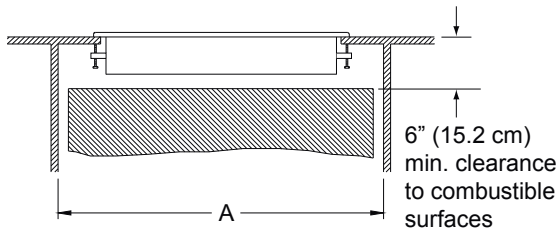
Renaissance 30" and 36" Wide, Electric Cooktops

PLANNING GUIDE

All tolerances: +1/16", -0, (+1.6 mm, -0) unless otherwise stated

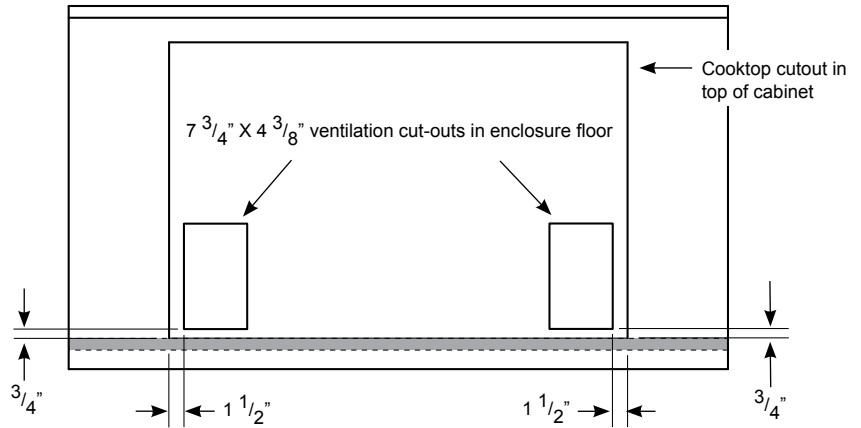
Allow a minimum of 6 inches (15.2 cm) clearance between the top of the countertop and any combustible surface below, including the upper edge of a drawer below the cooktop. Proper under-cabinet clearance is also required for the cooktop hold down brackets.

When installing model ETT365-2 and the bottom of the chassis is to be enclosed wall to wall, you must install Dacor ventilation duct kit ATD323.



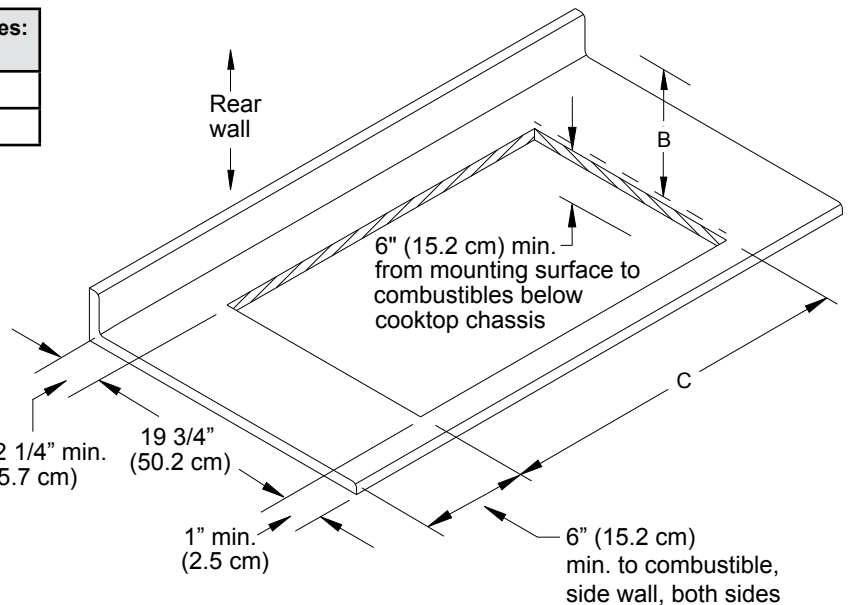
Model	(A) Minimum Under Counter Clearance (Width)
ETT304-1	30 1/2" (77.5 cm)
ETT365-2	36 1/2" (92.7 cm)

UNDER COUNTER CLEARANCE



TOP VIEW VENTILATION CUTOUT

Cabinets that are:	(B) Overhead Clearances: All Installations
Directly above cooking surface ¹	30" (76.2 cm)
To left or right of cooking surface ^{1, 2}	18" (45.7 cm)



COUNTERTOP CUTOUT (WITHOUT DOWNDRAFT VENT)

Model	(C) Cutout Width: Installations without Downdraft Vent
ETT304-1	28 3/4" (73.0 cm)
ETT365-2	34 3/4" (88.3 cm)

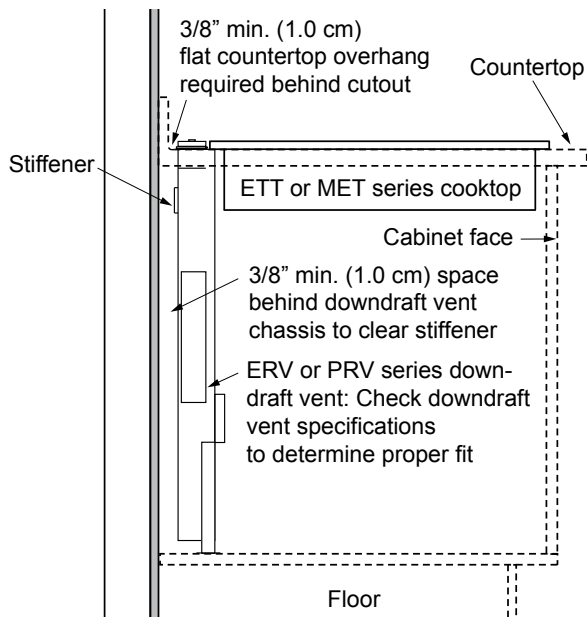
ETT304-1, ETT365-2



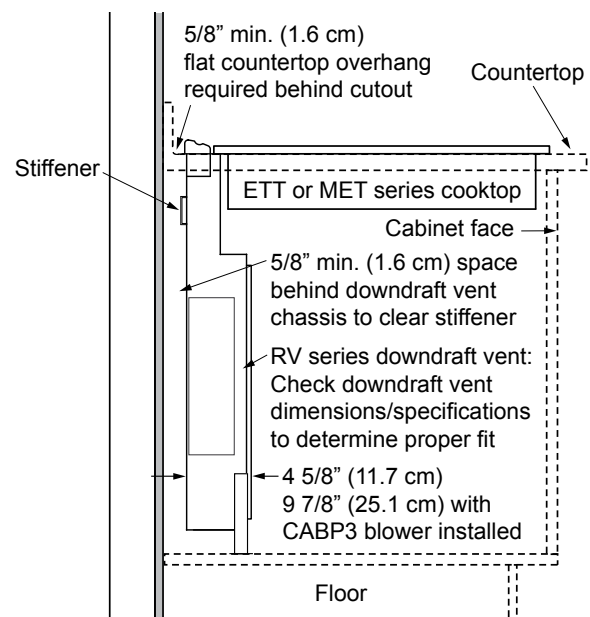
Renaissance 30" and 36" Wide, Electric Cooktops

PLANNING GUIDE

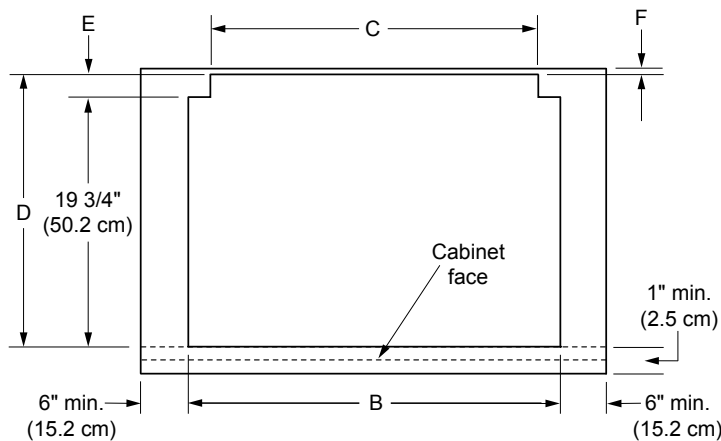
All tolerances: +1/16" (+1.6 mm), -0, unless otherwise stated.



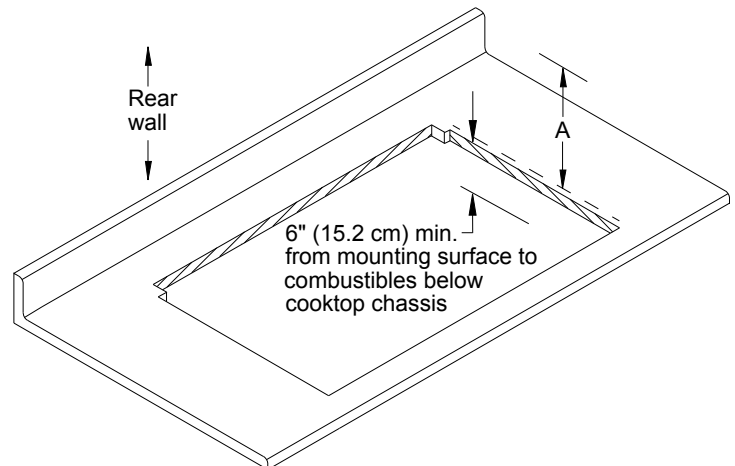
ERV AND PRV SERIES DOWNDRAFT VENT INSTALLATION SIDE VIEW



RV SERIES DOWNDRAFT VENT INSTALLATION - SIDE VIEW



COUNTERTOP CUTOUT (WITH DOWNDRAFT VENT) TOP VIEW



COUNTERTOP CUTOUT (WITH DOWNDRAFT VENT) ISO VIEW

Cabinets that are:	(A) Overhead Clearances: All Installations
Directly above cooking surface ¹	30" (76.2 cm)
To left or right of cooking surface ^{1, 2}	18" (45.7 cm)

Model/Configuration	(B) Cooktop Cutout Width	(C) Downdraft Vent Cutout Width	(D) Total Cutout Depth	(E) Downdraft Vent Cutout Depth	(F) Minimum Rear Countertop Overhang
ETT304-1 cooktop with ERV30[15] or PRV30 downdraft vent	28 3/4" (73.0 cm)	27 3/4" (70.5 cm)	22 1/2" (57.2 cm)	2 3/4" (7.0 cm)	3/8" (1.0 cm)
ETT304-1 cooktop with RV30 downdraft vent			22 1/4" (56.5 cm)	2 1/2" (6.4 cm)	5/8" (1.6 cm)
ETT365-2 cooktop with ERV36[15] or PRV36 raised vent	34 3/4" (88.3 cm)	33 3/4" (85.7 cm)	22 1/2" (57.2 cm)	2 3/4" (7.0 cm)	3/8" (1.0 cm)
ETT365-2 cooktop with RV36 downdraft vent			22 1/4" (56.5 cm)	2 1/2" (6.4 cm)	5/8" (1.6 cm)