

# 30" (76.2 cm), 36" (91.4 cm), and 48" (121.9 cm) Commercial-Style Dual Fuel Convection Ranges

## PRODUCT MODEL NUMBERS

KDRS407V	KDRS483V	KDRU767V
KDRS463V	KDRU763V	KDRU783V
KDRS467V		

## ELECTRICAL CONNECTION

To properly install your range, you must determine the type of electrical connection you will be using and follow the instructions provided for it here.

- Range must be connected to the proper electrical voltage and frequency as specified on the model/serial/rating plate. The model/serial/rating plate is located on the right vertical surface of the oven door frame. Refer to the illustrations in "Product Dimensions" of the "Location Requirements" section.
- This range may be manufactured with a 4-wire power supply cord or may not include a power supply cord. If your range does not include a power supply cord, use a 4-wire power supply cord rated at 250 volts, 40 or 50 amps, and investigated for use with ranges

Range Rating*		Specified Rating of Power Supply Cord Kit and Circuit Protection	
120/240 Volts	120/208 Volts	Amps	Range Size
8.8–16.5 kW	7.8–12.5 kW	40 or 50**	30" (76.2 cm) 36" (91.4 cm)
16.6–22.5 kW	12.6–18.5 kW	50	48" (121.9 cm)

\* The NEC calculated load is less than the total connected load listed on the model/serial/rating plate.

\*\* If connecting to a 50-amp circuit, use a 50-amp rated cord with kit. For 50-amp rated cord kits, use kits that specify use with a nominal 13/8" (34.9 mm) diameter connection opening.

- A circuit breaker is recommended.
- Wire sizes and connections must conform with the rating of the range.
- The Tech Sheet is located behind the kick plate in a clear plastic bag.

## TYPE OF GAS

### Natural Gas:

This range is factory set for use with Natural gas. The model/serial/rating plate located on the right vertical surface of the oven door frame has information on the types of gas that can be used. If the types of gas listed do not include the type of gas available, check with the local gas supplier.

### LP Gas Conversion:

Conversion must be done by a qualified service technician.

No attempt shall be made to convert the range cooktop from the gas specified on the model/serial/rating plate for use with a different gas without consulting the serving gas supplier. To convert to LP gas, use the LP gas conversion kit provided with your range and see the "Gas Conversions" section. The parts for this kit are in the literature package supplied with the range.

## GAS SUPPLY LINE

- Provide a gas supply line of 3/4" (1.9 cm) rigid pipe to the range location. A smaller size pipe on longer runs may result in insufficient gas supply. With LP gas, piping or tubing size can be 1/2" (1.3 cm) minimum. Usually, LP gas suppliers determine the size and materials used in the system.

**NOTE:** Pipe-joint compounds that resist the action of LP gas must be used. Do not use TEFLON®† tape.

†®TEFLON is a registered trademark of Chemours.

## Flexible metal appliance connector:

- If local codes permit, a new CSA design-certified, 4-5 ft (122-152.4 cm) long, 5/8" (1.6 cm) or 3/4" (1.9 cm) I.D. flexible metal appliance connector may be used for connecting range to the gas supply line.

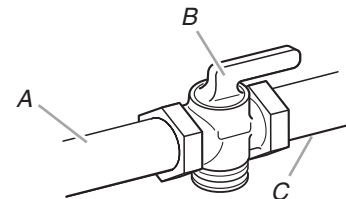


- A 1/2" (1.3 cm) male pipe thread is needed for connection to the female pipe threads of the inlet to the range pressure regulator.
- Do not kink or damage the flexible metal tubing when moving the range.

**IMPORTANT:** All connections must be wrench-tightened. Do not make connections to the gas regulator too tight. Making the connections too tight may crack the regulator and cause a gas leak. Do not allow the regulator to turn or move when tightening fittings.

- Must include a shut-off valve:

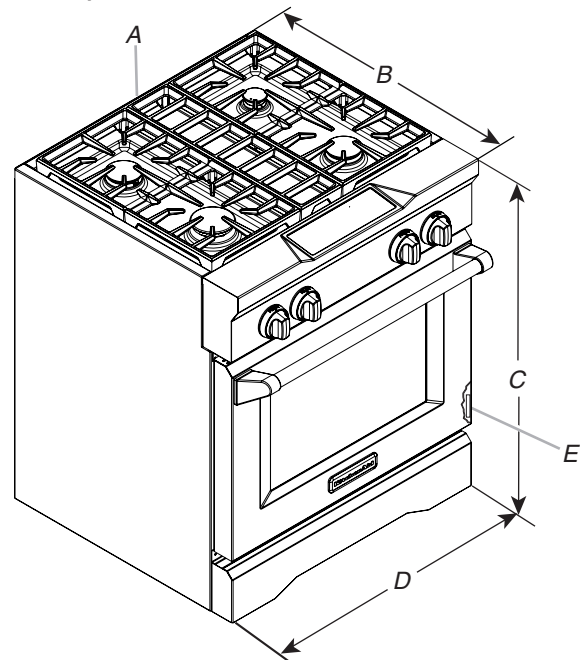
The supply line must be equipped with a manual shut-off valve. This valve should be located in the same room but external to the range opening such as an adjacent cabinet. It should be in a location that allows ease of opening and closing. Do not block access to shut-off valve. The valve is for turning on or shutting off gas to the range.



A. Gas supply line  
B. Shut-off valve "open" position  
C. To range

## PRODUCT DIMENSIONS

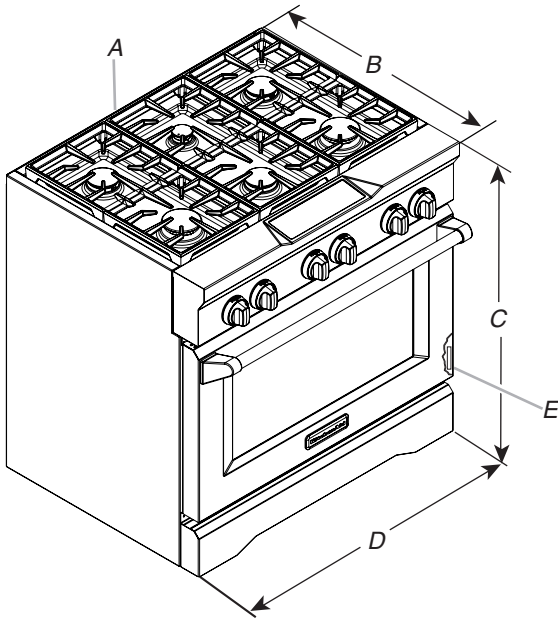
### 30" (76.2 cm) models



A. Optional backguard may be installed.  
B. 27 3/4" (70.5 cm) depth with control panel (See NOTE)  
C. 35 3/4" (90.8 cm) cooktop height when sitting on the wheels  
D. 30" (76.2 cm) width  
E. Model/serial/rating plate location

## PRODUCT DIMENSIONS CONTINUED

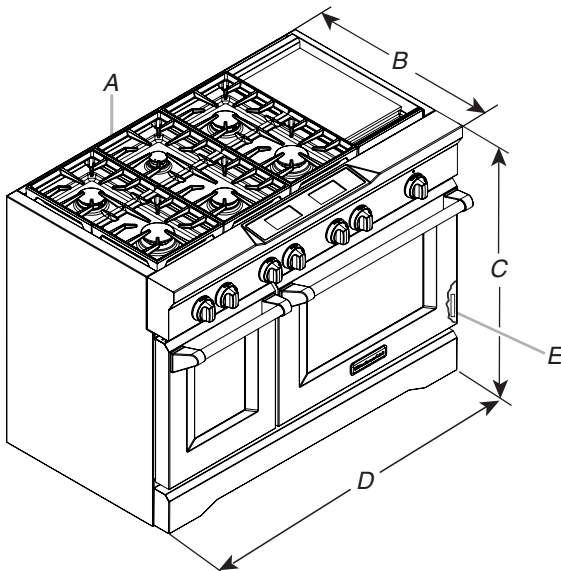
### 36" (91.4 cm) models



- A. Optional backguard may be installed.
- B. 27<sup>3</sup>/<sub>4</sub>" (70.5 cm) depth with control panel (See NOTE)
- C. 35<sup>3</sup>/<sub>4</sub>" (90.8 cm) cooktop height when sitting on the wheels
- D. 36" (91.4 cm) width
- E. Model/serial/rating plate location

### 48" (121.9 cm) models

**NOTE:** The following illustration is for dimension planning purposes only, and the locations and appearances of the features shown may not match those of your model.



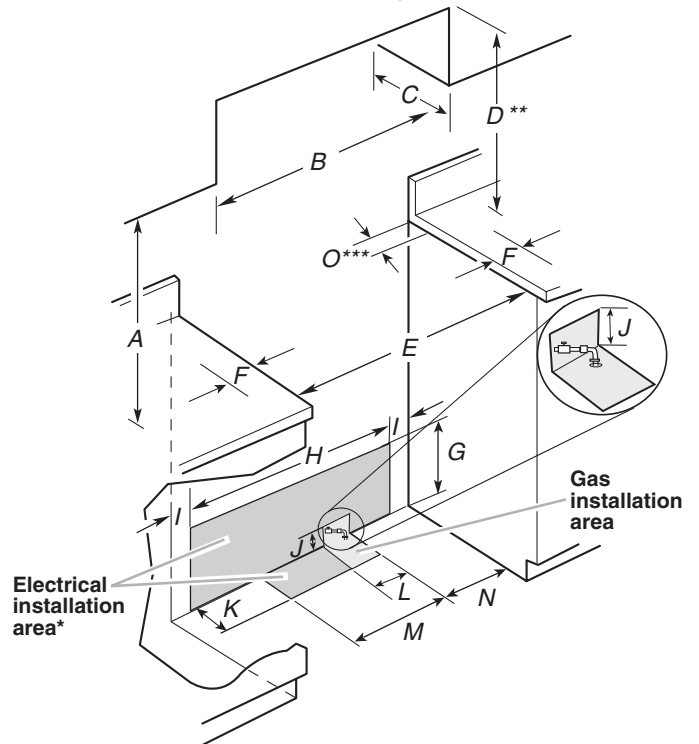
- A. Optional backguard may be installed.
- B. 27<sup>3</sup>/<sub>4</sub>" (70.5 cm) depth with control panel (See NOTE)
- C. 35<sup>3</sup>/<sub>4</sub>" (90.8 cm) cooktop height when sitting on the wheels
- D. 48" (121.9 cm) width
- E. Model/serial/rating plate location

**NOTE:** When installed in a 24" (61.0 cm) base cabinet with 25" (63.5 cm) countertop, front of oven door protrudes 1<sup>7</sup>/<sub>8</sub>" (4.8 cm) beyond 24" (61.0 cm) base cabinet.

## CABINET DIMENSIONS

Cabinet opening dimensions shown are for 25" (64.0 cm) countertop depth, 24" (61.0 cm) base cabinet depth, and 36" (91.4 cm) countertop height. Dimensions must be met in order to ensure a flush fit to back wall.

**IMPORTANT:** If installing a range hood or hood liner above the range, follow the range hood or hood liner installation instructions for dimensional clearances above the cooktop surface.



- A. 18" (45.7 cm) upper cabinet to countertop
- B. 30" (76.2 cm) model: 30" (76.2 cm) min. upper cabinet width  
36" (91.4 cm) model: 36" (91.4 cm) min. upper cabinet width  
48" (121.9 cm) model: 48" (121.9 cm) min. upper cabinet width
- C. 13" (33 cm) max. upper cabinet depth
- D. For minimum clearance to top of range\*\*
- E. 30<sup>1</sup>/<sub>4</sub>" (76.8 cm) on 30" (76.2 cm) models  
36<sup>1</sup>/<sub>4</sub>" (92.1 cm) on 36" (91.4 cm) models  
48<sup>1</sup>/<sub>4</sub>" (122.6 cm) on 48" (121.9 cm) models
- F. 6" (15.2 cm) min. clearance from both sides of range to side wall or other combustible material
- G. 15" (38.1 cm)
- H. 22" (55.9 cm) on 30" (76.2 cm) models  
28" (71.1 cm) on 36" (91.4 cm) models  
40" (101.6 cm) on 48" (121.9 cm) models
- I. 1<sup>1</sup>/<sub>2</sub>" (3.8 cm)
- J. 3" (7.6 cm)
- K. 5" (12.7 cm)
- L. 6" (15.2 cm) on 30" (76.2 cm) models  
14" (35.5 cm) on 36" (91.4 cm) models  
24" (61.0 cm) on 48" (121.9 cm) models
- M. 10<sup>1</sup>/<sub>2</sub>" (26.7 cm)
- N. 6" (15.2 cm)
- O. 6" (15.2 cm)\*\*\*

\* Receptacle must be rotated 90° for Canadian installation.

#### \*\* Minimum Clearances

**30" (76.2 cm) models:** 30" (76.2 cm) minimum clearance between the top of the cooking platform and the bottom of an uncovered wood or metal cabinet

**36" (91.4 cm) models:** 42" (106.7 cm) minimum clearance between the top of the cooking platform and the bottom of an uncovered wood or metal cabinet

**48" (121.9 cm) models:** 42" (106.7 cm) minimum clearance between the top of the cooking platform and the bottom of an uncovered wood or metal cabinet

\*\*\*If the surface of the back wall is constructed of a combustible material and a backguard is not installed, a 6" (15.2 cm) minimum clearance is required for all models.