

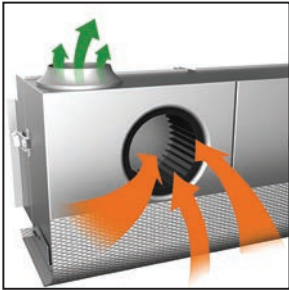
STANDARD FEATURES



CHIMNEY HOODS

- Unique CircuFlow Ventilation System™ with centrifugal blower design prevents grease and contaminants from collecting in duct work for safe operation.
- Appropriate CFM specifications to perfectly match any Hestan cooking product for optimized fume and grease extraction.
- Baffle-less, variable speed blower CircuFlow Ventilation System™ collects 70% more grease than most competing models.

CircuFlow Ventilation System™



Variable speed blower



12 colors

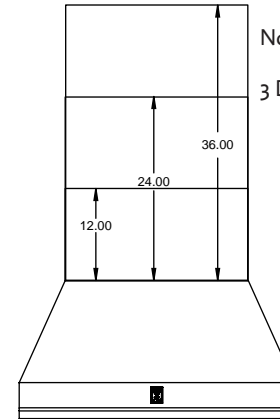
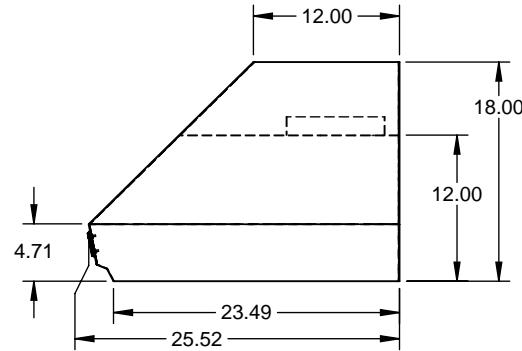
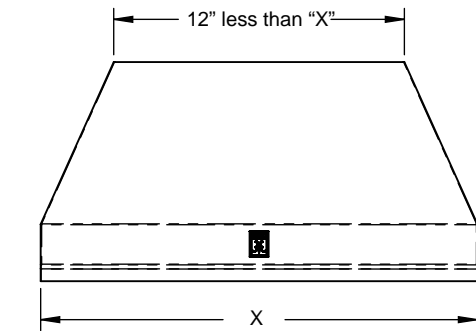
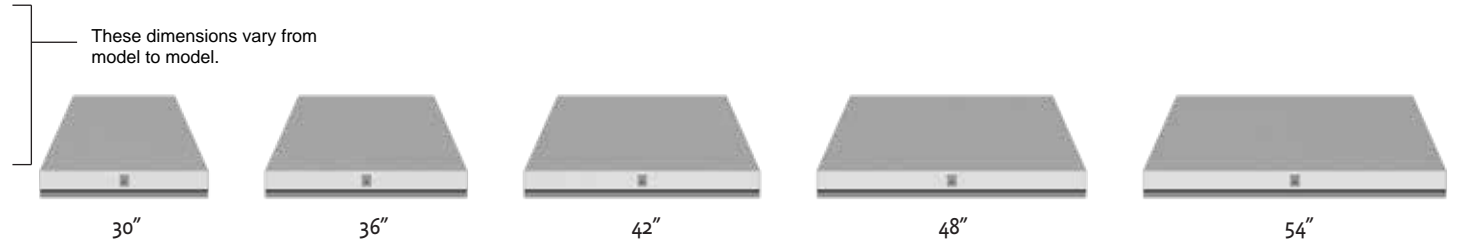
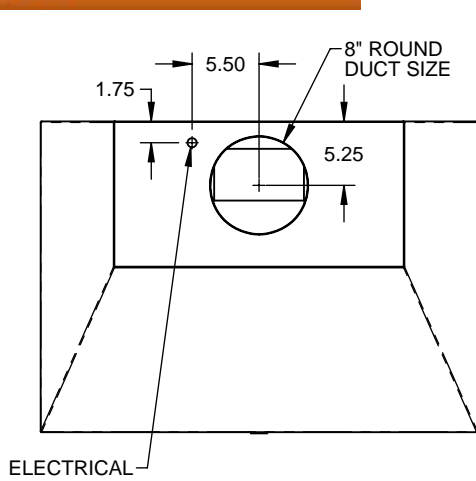


- Ultra quiet CircuFlow Ventilation System™ provides best-in-class air flow and extraction efficiency.
- Removable blower components are dishwasher-safe for easy cleaning.
- Optimized low-temp LED lighting for optimum illumination.
- Blower speed automatically increases when higher temperatures are detected and when full blower power is not needed the blower speed automatically lowers for even quieter operation.
- Marquise™ accented front face profile compliments design integrity.
- Chimney Widths (30", 36", 42", 48", 54")



OPTIONS & ACCESSORIES

- Available in Twelve (12) Hestan signature color finishes
- Duct Covers in (12) colors



Note: Duct Cover (KVDC) required for all Chimney Hoods
3 Duct Cover Heights - 12", 24", 36"

Hestan Indoor products are approved for indoor use only. Hestan Commercial Corporation reserves the right to change materials and specifications without notice.



ALL Models	Description	Width Dimensions		CFM	Volts	Amps	Hz	RPM	Sones	# Lights	Approx SHP WT (lbs)
		X (in.)									
KVC30	30" Chimney	29.88		600	115	4.0	60	1550	6.5	2	63
KVC36	36" Chimney	35.88		600	115	4.0	60	1550	6.5	2	69
KVC42	42" Chimney	41.88		900	115	6.0	60	1550	6.3	3	85
KVC48	48" Chimney	47.88		900	115	6.0	60	1550	6.3	3	92
KVC54	54" Chimney	53.88		1200	115	7.5	60	1550	6.6	4	105