

## Slide-In Ranges

FGES3065PF

30" Electric



### Signature Features



#### Quick Preheat

Preheat in just a few minutes.<sup>1</sup>



#### True Convection

Single convection fan circulates hot air throughout the oven for faster and more even multi-rack baking.



#### Quick Boil

Get meals on the table faster with quick boil — water boils faster than the traditional setting.



#### Smudge-Proof™ Stainless Steel<sup>2</sup>

Reduces fingerprints and smudges so it's easy to clean.

### Product Dimensions

Height (Max.)	36-5/8"
Width	30"
Depth	28-5/16"

### More Easy-To-Use Features

#### Steam Cleaning

A light oven cleaning that's chemical-free, odor-free, and fast.

#### Fits-More™ Cooktop with SpaceWise® Expandable Elements

The cooktop features five elements including two SpaceWise® Expandable elements and a Warming Zone so you can cook more at once.

#### Effortless™ Temperature Probe with Auto Keep Warm

The Effortless™ Temperature Probe allows you to set the desired finished temperature and alerts you when that temperature has been reached. The oven then holds the desired temperature of the meat by switching to a keep warm function for better cooking results.

#### Effortless™ Convection

Takes the guesswork out of convection cooking — our oven automatically adjusts standard baking temperatures to convection temperatures for consistent results.

#### A.D.A. Compliant

When properly installed, this model is A.D.A.-qualified based on the United States Access Board's A.D.A./A.B.A. Accessibility Guidelines and the Department of Justice's 2010 A.D.A. Standards for Accessible Design.



Sabbath Mode (Star-K® Certified)

#### Available in:



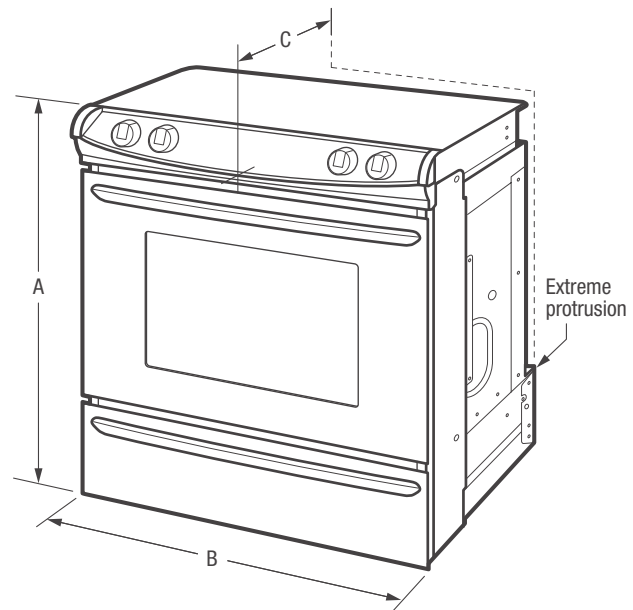
Stainless  
(F)

Elements	Size	Watts
Right Front	9" / 12"	2,000 / 3,200
Right Rear	6"	1,200
Left Front	6" / 9"	1,400 / 3,000
Left Rear	6"	1,200
Center	Keep Warm Zone	100

<sup>1</sup>Based on single rack cooking performance, not set temperature, using Quick Preheat.

<sup>2</sup>Select model only.

<b>Features</b>	
Oven Control/Timing System	Express-Select®
Surface Type	Black Ceramic Glass
Window	Extra-Large
Exterior Door Finish	Smudge-Proof™ Stainless Steel
Handle Design	Stainless Steel
Exterior Finish (Side Panels)	Black
Convection System	True Convection
Oven Cleaning System	Self-Clean
Drawer Functionality	Storage
<b>Oven Controls</b>	
Bake/Broil	Yes/Variable (400 - 550 °F)
Effortless™ Convection Conversion	Yes
Convection Bake/Broil/Roast	Yes/Yes/Yes
Quick Preheat	Yes
My Favorite	
Slow Cook	
Effortless™ Temperature Probe	Yes
Chicken Nugget Button	
Pizza Button	
Keep Warm	Yes
Add-a-Minute	
Delay Start	Yes
Self Clean/Clean Options	Yes/2, 3, 4 Hours
Steam Clean	Yes
Delay Clean	2, 3, 4 Hours
Kitchen Timer/Timed Cook Option	Yes/Yes
Auto Oven Shut-Off	6 Hours
Lower Drawer Control	
<b>Cooktop Features</b>	
Right Front Element (Watts)	SpaceWise® Expandable 9"/12" - 2,000/3,200
Right Rear Element (Watts)	6" - 1,200
Left Front Element (Watts)	SpaceWise® Expandable 6"/9" - 1,400/3,000
Left Rear Element (Watts)	6" - 1,200
Center Element (Watts)	Keep Warm Zone - 100
Hot Surface Indicator Lights	Yes
<b>Oven Features</b>	
Capacity (Cu.Ft.)	4.6
Oven Light	2
Hidden Bake Element	Yes
Rack Configuration	1 Heavy Duty, 1 Offset, 1 Effortless™
Baking System	Even Baking Technology
Broiling System	Vari-Broil™
Bake Element/Broil Element/ Convection Element (Watts)	2,500/3,400/2,500
Drawer Rack	
<b>Certifications</b>	
A.D.A. Compliant¹	Yes
Sabbath Mode (Star-K® Certified)	Yes
<b>Specifications</b>	
Oven Interior (H x W x D)	17-1/2" x 24-1/8" x 18-3/4"
Power Supply Connection Location	Left Bottom Rear
Voltage Rating	240V/208V/60 Hz
Connected Load (kW Rating) @ 240/208 Volts²	12.6/9.5 kW
Amps @ 240/208 Volts	52.5/45.7
Minimum Circuit Required (Amps)	40
Shipping Weight (Approx.)	205 Lbs.



NOTE: For planning purposes only. Always consult local and national electric codes. Refer to Product Installation Guide for detailed installation instructions on the web at [frigidaire.com](http://frigidaire.com).



Product Dimensions		Cutout Dimensions	
A - Height (Max./Max.)	35-3/4" / 36-5/8"	Height (Min./Max.)	35-7/8" / 36-5/8"
B - Width	30"	Width (Min./Max.)*	29-15/16" / 30-1/16"
C - Depth	28-5/16"	Depth (Min./Max.)**	21-3/4" / 22-1/8"
Depth with Door Open 90°	47-9/16"		

\*Cutout and countertop cutout width should match.  
\*\*24" with optional backguard installed.

¹When properly installed, this model is A.D.A.-qualified based on the United States Access Board's A.D.A./A.B.A. Accessibility Guidelines and the Department of Justice's 2010 A.D.A. Standards for Accessible Design.

²Single phase 3- or 4-wire cable, 120/240 or 120/208 Volt, 60 Hertz AC only electrical supply with ground required on separate circuit fused on both sides of line.

Accessories information available on the web at [frigidaire.com](http://frigidaire.com)

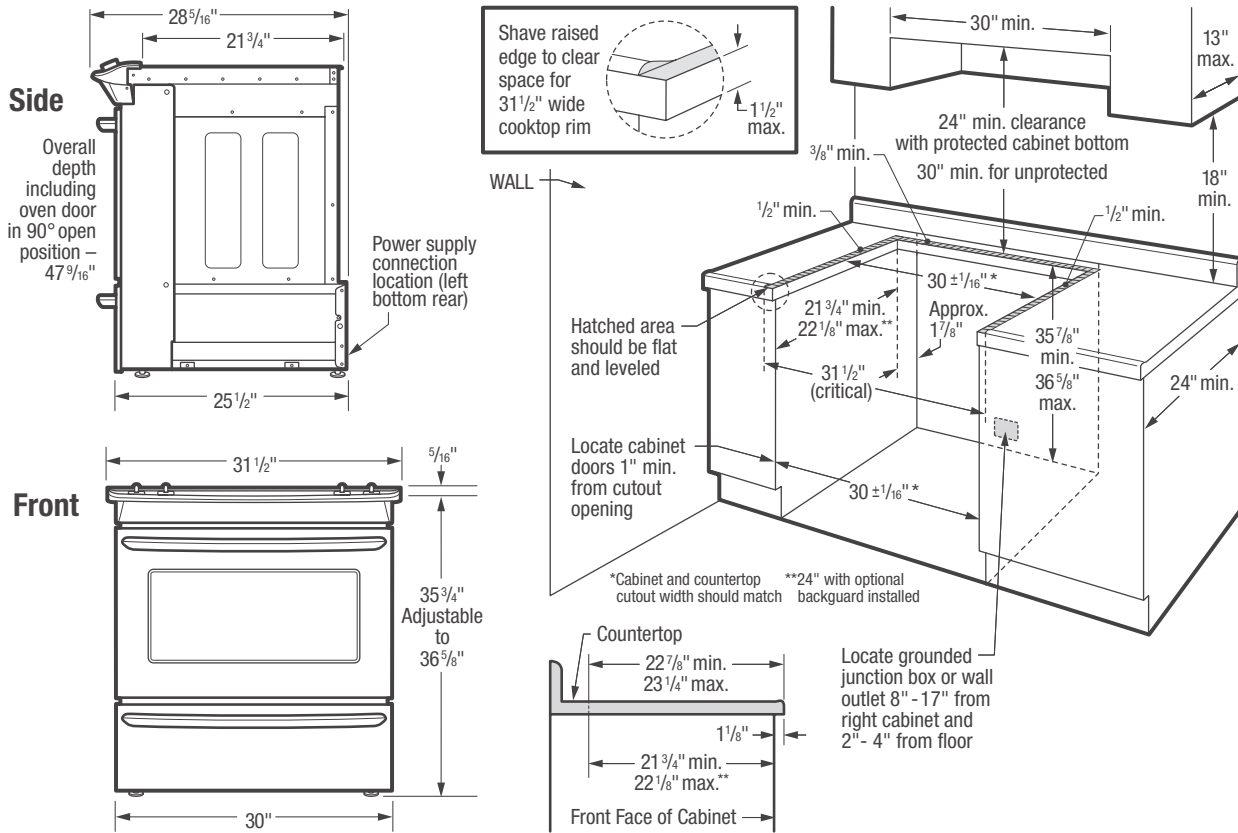
**FRIGIDAIRE**

USA • 10200 David Taylor Drive • Charlotte, NC 28262 • 1-800-FRIGIDAIRE • [frigidaire.com](http://frigidaire.com)  
CANADA • 5855 Terry Fox Way • Mississauga, ON L5V 3E4 • 1-800-265-8352 • [frigidaire.ca](http://frigidaire.ca)

FGES3065P 12/17

© 2017 Electrolux Home Products, Inc.

Specifications subject to change.



**Slide-In Range Specifications**

- Product Shipping Weight (approx.) - 205 Lbs.
- Single phase 3- or 4-wire cable, 120/240 or 120/208 Volt, 60 Hertz, fused on both sides of line with ground. (If local code permits, range may be connected by hard-wiring or by means of power supply cord kit.)
- Connected Load (kW Rating) @ 240/208 Volts = 12.6/9.5 kW
- Amps @ 240/208 Volts = 52.5/45.7 Amps
- Recommended Circuit Breaker - 50 Amps (40 Amps minimum)
- Always consult local and national electric codes.
- Make sure wall coverings around range can withstand heat generated by range.
- Linoleum or any other synthetic floor covering located beneath range, must be capable of withstanding minimum heat of 90°F above room temperature without shrinking, warping or discoloring. Insulating pad or 1/4"-thick plywood required between range and a carpeted floor.
- Countertop MUST be level in all directions and adjustable range height at least 1/16" greater than tallest cabinet height, to ensure metal rangetop flange will fit properly on countertop edge.
- When installing optional Backguard Kit, cutout depth of 21-3/4" minimum/22-1/8" maximum needs increased to 24".
- Overhead cabinetry should not exceed a 13" maximum depth.
- Absolute minimum horizontal distance between overhead cabinets installed to either side of appliance must be no less than maximum width of appliance.
- Allow 24" minimum clearance between rangetop and bottom of cabinet when bottom of wood or metal cabinet is protected by not less than 1/4" flame-retardant millboard covered with not less than No. 28 MSG sheet steel, 0.015" stainless steel, 0.024" aluminum or 0.020" copper. Allow 30" minimum clearance when cabinet is unprotected.
- To reduce risk of fire when using overhead cabinetry, install range hood that projects horizontally a recommended minimum of 5" beyond bottom of cabinets.

**Countertop Preparation**

Rangetop's side flanges overlap countertop cutout edges - for detailed preparation instructions, refer to product installation guide on the web.

- Flat Square-Finish Countertops - require no preparation since rangetop's flange lays directly on countertop edge.
- Formed Front-Edged Countertops - require front molded edge to be shaved flat 3/4" from each front corner of opening.
- Tile Countertops - may need trim cut back 3/4" from each front corner of opening and/or rounded edge flattened.
- For existing cutout width greater than 30-1/16" reduce the 3/4" overlap dimension; for cutout width of 29", replace actual side trim panels with smaller side trim panels, available with optional Side Trim Kit (refer to detailed kit installation instructions).

**Note:** For planning purposes only. Refer to Product Installation Guide on the web at [frigidaire.com](http://frigidaire.com) for detailed instructions.

**Optional Accessories**

- Rear Filler Kit: Color-Coordinated - (Included).
- Side Panel Kit: Stainless Steel - (PN# 903074-901S)
- Backguard Kit: Stainless Steel - (PN# 903046-901S)
- Side Trim Kit: Stainless Steel - (PN# 903075-901S)

