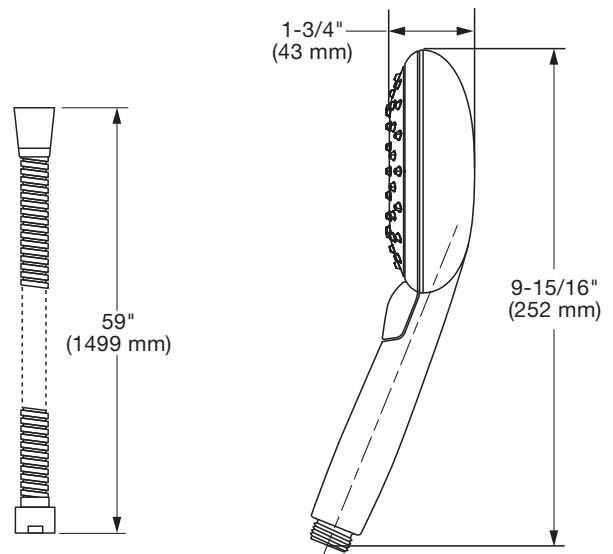
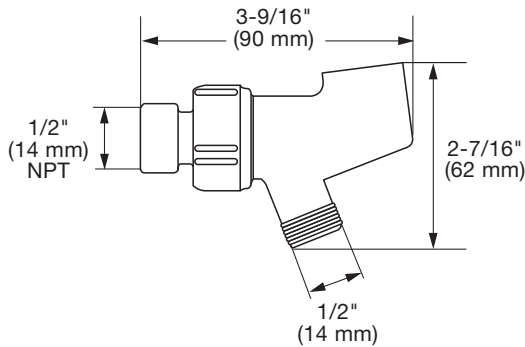


MODEL NUMBER:

□ **1660.771 Shower System Kit 2.5 version**

Includes:

- Spectra+ Handheld™ 9038.154
- Hose 8888.035
- Shower Arm Bracket 8888.096



GENERAL DESCRIPTION:

Complete shower system kit includes: a shower bracket with 1/2" NPT female inlet, a 59" (1500 mm) shower hose; a Spectra+ Handheld water saving hand shower. 5" (127 mm) Hand shower adjusts from Drench to Sensitive to Powerwash® to Massage. Pressure compensating flow control device. Kit includes check valve to prevent cross flow of hot and cold water.

PRODUCT FEATURES:

Water Saving: WaterSense certified.

Pressure Compensating Flow Control Device: Provides consistent flow over a wide pressure range.

Variety of Spray Functions: Allows the user to select the spray functions best suited to their needs.

HAND SHOWER

Lightweight, Ergonomic Design: For a sure grip even with wet, soapy hands.

SHOWER BRACKET

Attaches to all standard shower arms



EPA
WATERSENSE®
 CERTIFIED

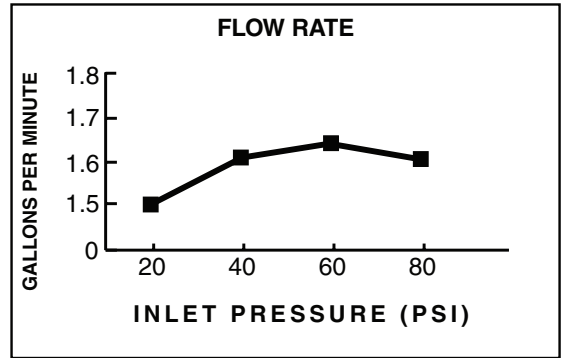
SUGGESTED SPECIFICATION

Shower system shall feature a shower bracket with 1/2" NPT female inlets, 59" hose, hand shower. Hand Shower shall be WaterSense certified in water usage. Hand Shower shall have a pressure compensating control device. Kit shall include check valve to prevent cross flow of hot and cold water. Fitting shall be American Standard Model # 1660.771._____.

CODES AND STANDARDS

These products meet or exceed the following codes and standards:

ASME A112.18.1
CSA B125.1



Product Number	Description	Finish			
		Brushed Nickel	Polished Nickel	Legacy Bronze	Polished Chrome
		295	013	278	002
1660.771	Spectra+ Handheld™ Kit. Contains Spectra+™ hand shower, and shower arm bracket.				