

# INSTALLATION INSTRUCTIONS

Advantium®

Built-In Wall Oven

CSB913



MFL59060928\_00

**31-2000354 Rev.0**

03-19 GEA

## Español

For a Spanish version of this manual, visit our Website at [cafeappliances.com](http://cafeappliances.com).

Para consultar una versión en español de este manual de instrucciones, visite nuestro sitio de internet [cafeappliances.com](http://cafeappliances.com).

# Safety Information

## BEFORE YOU BEGIN

Read these instructions completely and carefully.

**IMPORTANT** — Save these instructions for local inspector's use.

**IMPORTANT** — Observe all governing codes and ordinances.

- **Note to Installer** — Be sure to leave these instructions with the Consumer.
- **Note to Consumer** — Keep these instructions with your Owner's Manual for future reference.
- **Skill Level** — Installation of this appliance requires basic mechanical and electrical skills.
- **Completion Time — 1 Hour.**
- Proper installation is the responsibility of the installer. Product failure due to improper installation is not covered under the warranty. See Owner's Manual for warranty information.

**IMPORTANT** — Use this oven only for its intended purpose. Never use the oven for warming or heating a room. Prolonged use of the oven without proper ventilation can be hazardous.

**⚠ CAUTION** For personal safety, remove house fuse or oven circuit breaker before beginning installation to avoid severe or fatal shock injury.

**⚠ CAUTION** For personal safety, the mounting surface must be capable of supporting the cabinet load, in addition to the added weight of the oven and drawer, plus additional oven loads.

## CONTENTS

### Design Information

|   |   |
|---|---|
| Models Available .....                  | 2 |
| Product Dimensions and Clearances ..... | 3 |
| Tools and Parts Required .....          | 3 |
| Advance Planning .....                  | 3 |

### Installation Preparation

|   |   |
|---|---|
| Electrical Requirements .....             | 4 |
| Preparing the Opening (Standard) .....    | 5 |
| Preparing the Opening (Flush Mount) ..... | 9 |

### Storage Drawer Preparation

|                |    |
|----------------|----|
| Standard ..... | 11 |
| Flush .....    | 11 |

### Installation Instructions

|  |    |
|--|----|
| Step 1, Remove Packaging and Parts .....                   | 12 |
| Step 2, Slide the Oven into the Cutout .....               | 13 |
| Step 3, Install Bottom Trim .....                          | 13 |
| Step 4, Install Bottom Trim with Accessory<br>Drawer ..... | 13 |
| Step 5, Install Mounting Screws .....                      | 14 |
| Step 6, Finalize Installation .....                        | 14 |

## MODELS AVAILABLE

### Café Pro Models:

CSB913P2NS1 – Stainless Steel  
CSB913P3ND1 – Matte Black  
CSB913P4NW2 – Matte White

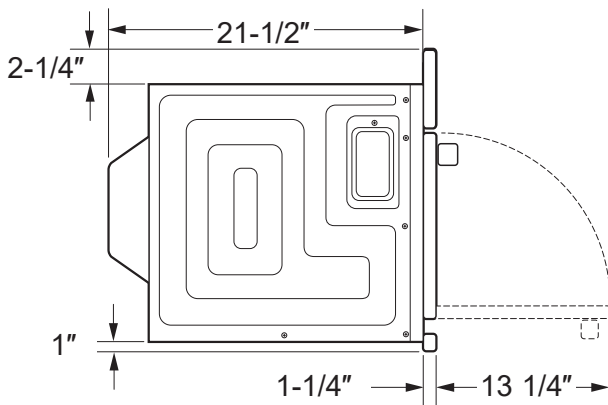
### Café Min Model

CSB913M2NS5 – Stainless Steel

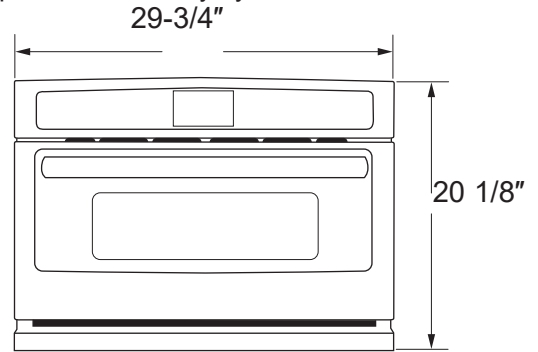
**\*Accessory storage drawer is only available for stainless steel models**

# Design Information

## PRODUCT DIMENSIONS AND CLEARANCES



NOTE: Appearance will vary by model.



## TOOLS AND PARTS REQUIRED (NOT SUPPLIED)

- #2 Phillips screwdriver
- Hand-held drill
- High speed drill bit, 3/32" diameter
- 3/8" slot-head screwdriver
- Level
- Saw
- 3/8" min. plywood for floor (if required)
- Wood screws or other hardware for installing runner or shelf to support oven (if required)
- Safety glasses or goggles

## ADVANCE PLANNING

- These ovens may be installed directly into a 30" wide oven cabinet with standard installation.
- Cutout height dimensions are different for installations with an accessory storage drawer. Make sure to use the correct cutout when preparing the opening.
- Allow for clearance to adjacent corners, walls, drawers, etc.
- Cabinets installed adjacent to wall ovens must have an adhesion spec of at least 194°F temperature rating.

The oven must be securely installed in a cabinet that is firmly attached to the house structure. Weight on the oven door could cause the oven to tip and result in injury. Never allow anyone to climb, sit, stand or hang on the oven door.

If installing the drawer accessory, the drawer must be assembled to the oven prior to installation into the cabinet. See the **Accessory Storage Drawer Assembly Instructions**.

## FLUSH MOUNT INSTALLATION

This installation method allows for the unit face to be inline with the cabinet face.

**IMPORTANT: HIGH SKILL LEVEL IN CARPENTRY IS REQUIRED. Non-standard cabinetry may be required.**

Flush installation of the oven will lead to the exposure of the cabinet face frame edges.

Side cleats may be visible and should be a finished surface.

# Installation Preparation

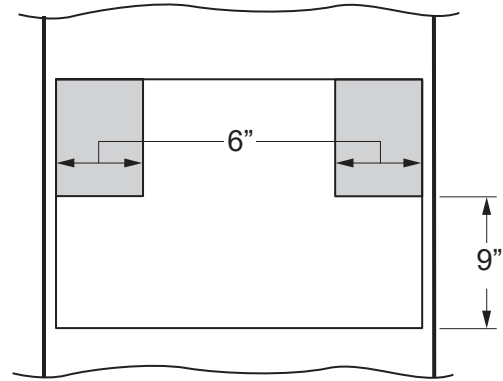
## ELECTRICAL REQUIREMENTS

### Single Advantium Built-In Oven Installation:

This product requires a 120-volt, 60 Hz, 15-amp circuit and draws 1.8 kilowatts. This product must be connected to a supply circuit of the proper voltage and frequency.

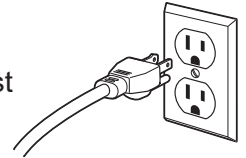
- Wire size must conform to the requirements of the National Electrical Code or the prevailing local code for this kilowatt rating.
- The power supply cord and plug should be brought to a separate 15 or 20 ampere branch circuit single grounded receptacle. The outlet box should be located within reach of the 48" power cord.

## ELECTRICAL LOCATION



Locate outlet box in the shaded area

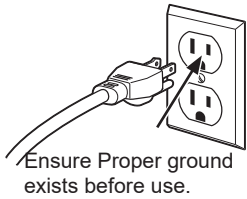
Install a recessed electrical outlet in the back wall of the opening within 6" of either side and at least 9" above the cutout floor.



## GROUNDING INSTRUCTIONS

### ⚠ WARNING

Improper use of the grounding plug can result in a risk of electric shock.



Ensure Proper ground exists before use.

This appliance must be grounded. In the event of an electrical short circuit, grounding reduces the risk of electric shock by providing an escape wire for the electric current.

This appliance is equipped with a power cord having a grounding wire with a grounding plug. The plug must be plugged into an outlet that is properly installed and grounded.

Consult a qualified electrician or service technician if the **GROUNDING INSTRUCTIONS** are not completely understood, or if doubt exists as to whether the

appliance is properly grounded.

If the outlet is a standard 2-prong wall outlet, it is your personal responsibility and obligation to have it replaced with a properly grounded 3-prong wall outlet.

Do not under any circumstances cut or remove the third (ground) prong from the power cord.

Do not use an extension cord. If the power cord is too short, have a qualified electrician or service technician install an outlet near the appliance.

For best operation, plug this appliance into its own electrical outlet to prevent flickering of lights, blowing of fuse or tripping of circuit breaker.

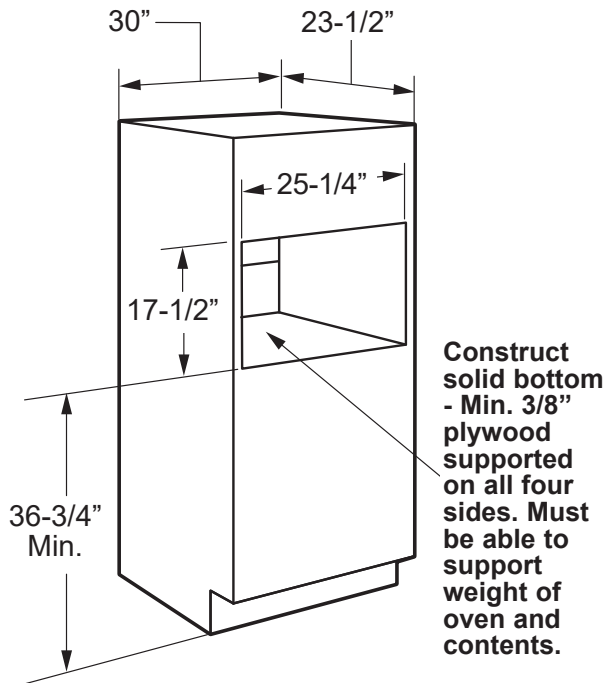
# Standard Installation Preparation

## PREPARE THE OPENING

Advantium Built-In Oven can be installed in combination with other Built-In appliances. Always follow each product's Installation Instructions to complete the installation.

### Single Advantium Built-In Oven Installation:

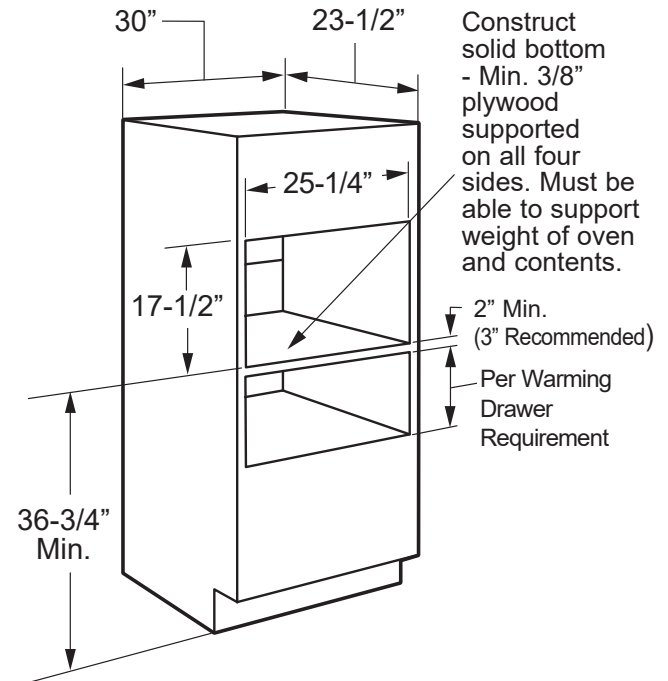
Order a 30" wide single oven cabinet or cut the opening in a wall to the dimensions shown.



- Allow 2-1/4" case trim overlap at the top and 1" overlap on the bottom and 2-1/4" overlap for each side of the opening.
- Oven overlaps will conceal cut edges on all sides of the opening. When installed over a single oven or a warming drawer, allow at least 2" between the two openings. This separation will provide clearance for bottom overlap of the Advantium 120 and the other appliance overlaps.
- The support must be level and rigidly mounted, flush with the bottom edge of the cutout.

## PREPARE THE OPENING (CONT.)

### Installation over a Warming Drawer:

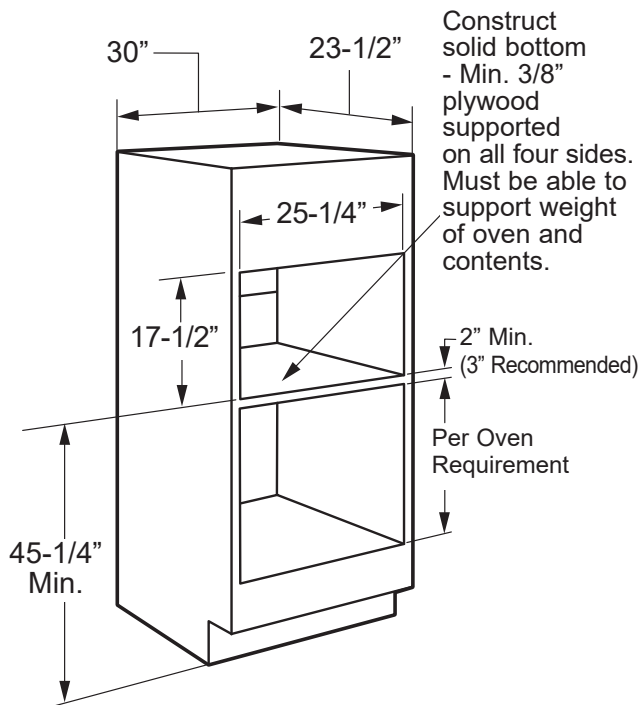


**NOTE:** Additional clearances between the cutouts may be required. Check to be sure the oven supports above the Warming Drawer location does not obstruct the required interior depth and height. See Warming Drawer installation instructions for details.

# Standard Installation Preparation

## PREPARE THE OPENING (CONT.)

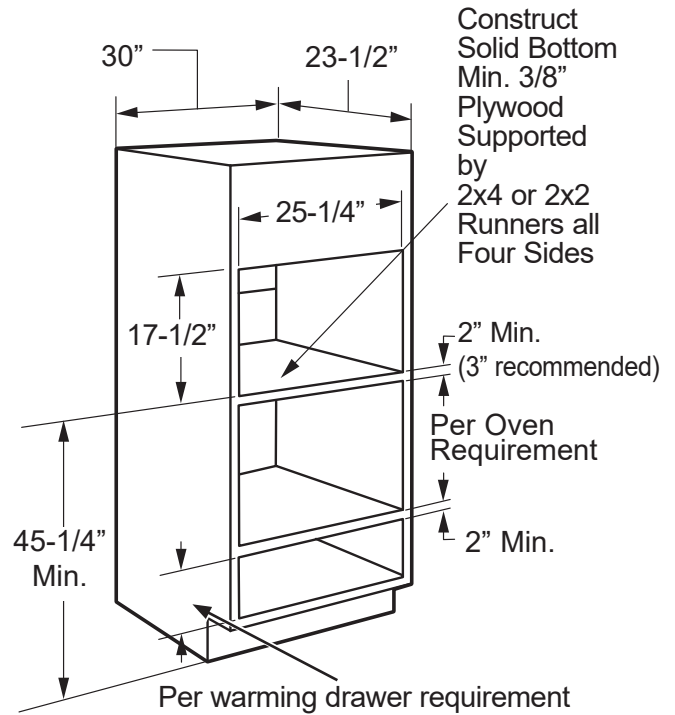
### Installation over a Wall Oven:



- If you are replacing an electric double oven with the combined installation of an Advantium Built-In Oven and a single oven, use the dimensions shown. The middle rail separating the two openings may need to be larger than the 2" minimum shown.

## PREPARE THE OPENING (CONT.)

### Installation over a Wall Oven and Warming Drawer:



**NOTE:** Additional clearances between the cutouts may be required. Check to be sure the oven supports above the Warming Drawer location does not obstruct the required interior depth and height. See Warming Drawer installation instructions for details.

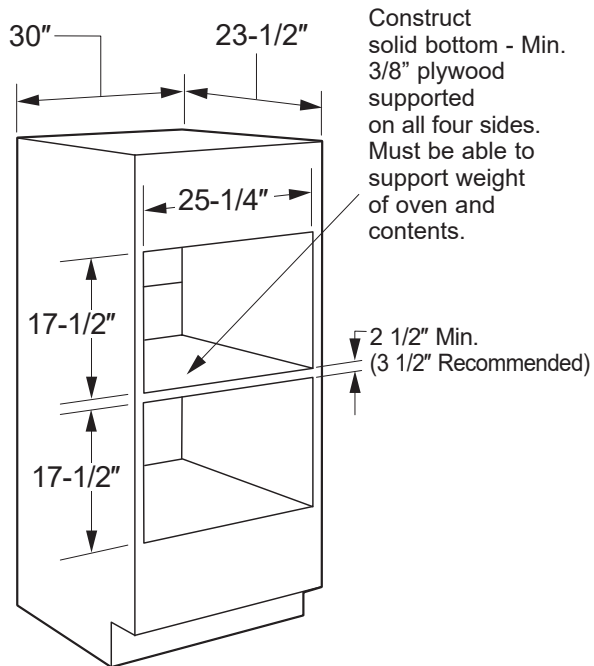
## CAUTION

For personal safety, the mounting surface must be capable of supporting the cabinet load, in addition to the added weight of the oven and drawer, plus additional oven loads.

# Standard Installation Preparation

## PREPARE THE OPENING (CONT.)

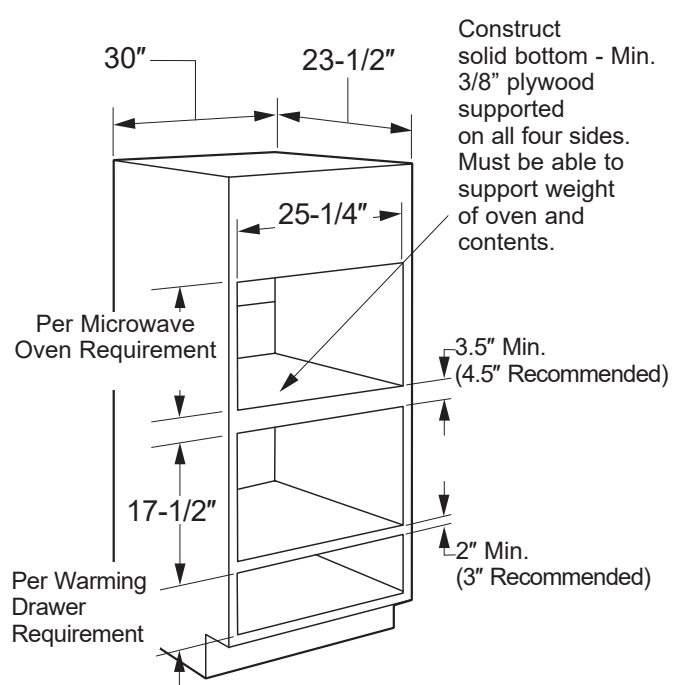
Installation over another Advantium Built-In Oven:



- If you are mounting a GE Appliances Appliances/ Monogram Built-In Advantium Oven over another, use the dimensions shown. The middle rail separating the two openings may need to be larger than the 2" minimum shown.

## PREPARE THE OPENING (CONT.)

Installation under a Microwave Oven and over a Warming Drawer:



**NOTE:** Additional clearances between the cutouts may be required. Check to be sure the oven supports above the Warming Drawer location do not obstruct the required interior depth and height. See Warming Drawer installation instructions for details.

### CAUTION

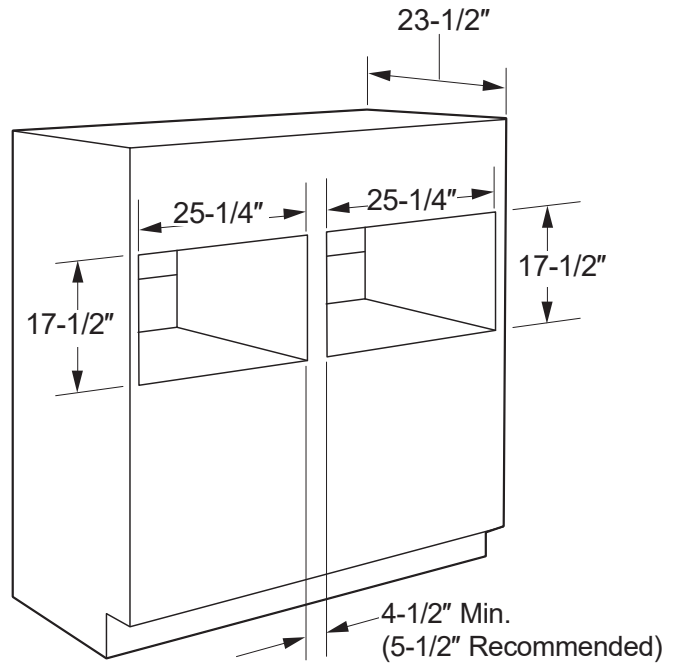
For personal safety, the mounting surface must be capable of supporting the cabinet load, in addition to the added weight of the oven and drawer, plus additional oven loads.

# Standard Installation Preparation

## PREPARE THE OPENING (CONT.)

### Installation beside another Advantium Built-In Oven:

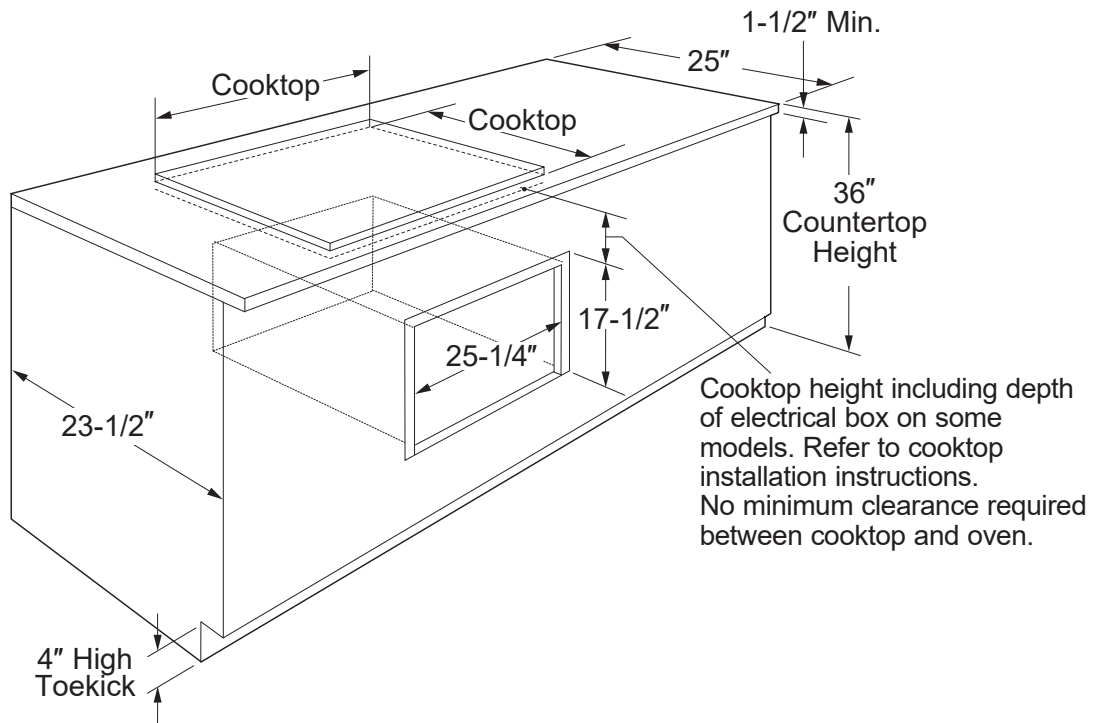
- If you are mounting an Advantium Built-In Oven beside another, use the dimensions shown. The middle rail separating the two openings may need to be larger than the 4-1/2" minimum shown.



## PREPARE THE OPENING (CONT.)

### Installation under an Advantium 30" or 36" Cooktop or Countertop:

Gas or electric cooktops may be installed over this oven. See cooktop installation instructions for the cutout size. See the label on top of the oven for approved cooktop models. This oven requires a separate, properly grounded 15-Amp, 120-Volt, 60Hz power supply. The cooktop requires a separate power supply. Use a 36" or wider base cabinet.





# Flush Mount Installation Preparation

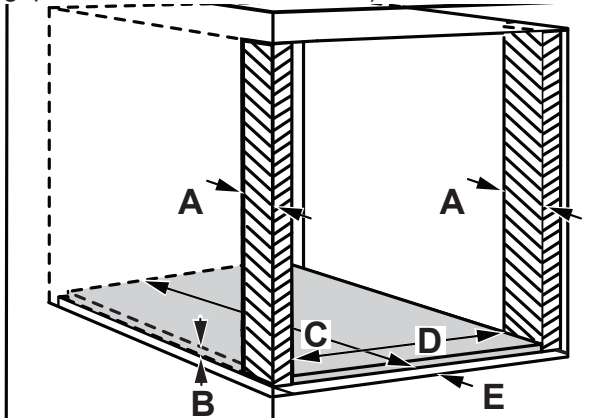
## PREPARE THE INTERIOR

### Cut and install side cleats:

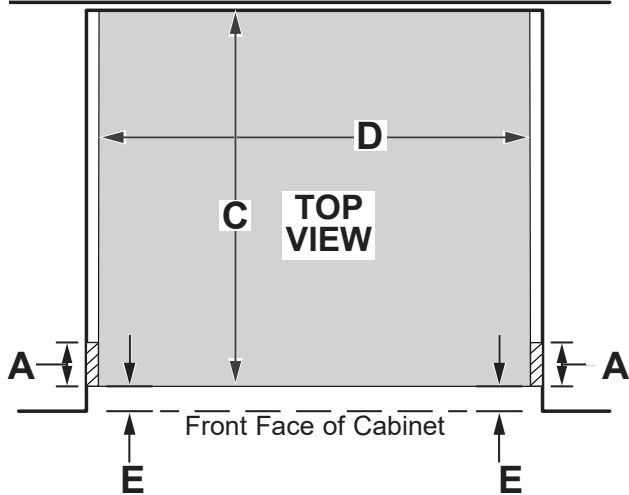
- Cut side wood cleats to height of cabinet opening and approx. 2-1/2" in depth. Install, on each side, 1-3/8" from the front face of the cabinet.

### Cut and install bottom cleat:

- Cut bottom wood cleat to a height of 1-1/8", a depth of the cabinet **minus** 1-3/8" and a width of 25-1/4" to fit between side cleats. Install onto the cabinet floor between the side cleats, push it all the way back against cabinet wall and make sure its front face aligns with the front faces of the side cleats (1-3/8" gap from the front cabinet face).



|   |                     |                            |
|---|---------------------|----------------------------|
| A | Side cleats depth   | 2-1/2" min.                |
| B | Bottom cleat height | 1-1/8"                     |
| C | Bottom cleat depth  | Cabinet depth minus 1-3/8" |
| D | Bottom cleat width  | 25-1/4"                    |
| E | All three cleats    | 1 1/4"                     |

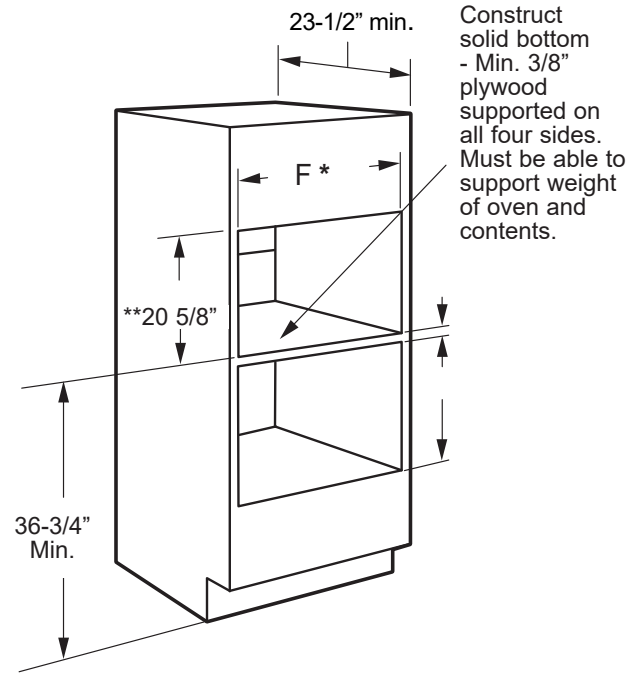


## PREPARE THE OPENING

The Advantium Built-In Oven can be installed in combination with other Advantium Built-In ovens. Always follow each product's Installation Instructions to complete the installation.

### Single Advantium Built-In Oven Installation:

Cut the opening in a cabinet to the dimensions shown.



- The support must be level and rigidly mounted, flush with the bottom edge of the cutout.

| Approved Flush Installation     | Dimension F |             |
|---------------------------------|-------------|-------------|
|                                 | 1/8" Reveal | 1/4" Reveal |
| Single Advantium                | 30"         | 30-1/4"     |
| Over Warming Drawer             | 30"         | 30-1/4"     |
| Over Oven                       | 30"         | 30-1/4"     |
| Over Oven and Warming Drawer    | 30"         | 30-1/4"     |
| Over Advantium Built-In Oven    | 30"         | 30-1/4"     |
| Double Advantium (side by side) | See page 10 |             |
| Under Cooktop or Countertop     | See page 10 |             |

\*\* Top and bottom reveals are set to 1/8".

# Flush Mount Installation Preparation

## PREPARE THE OPENING

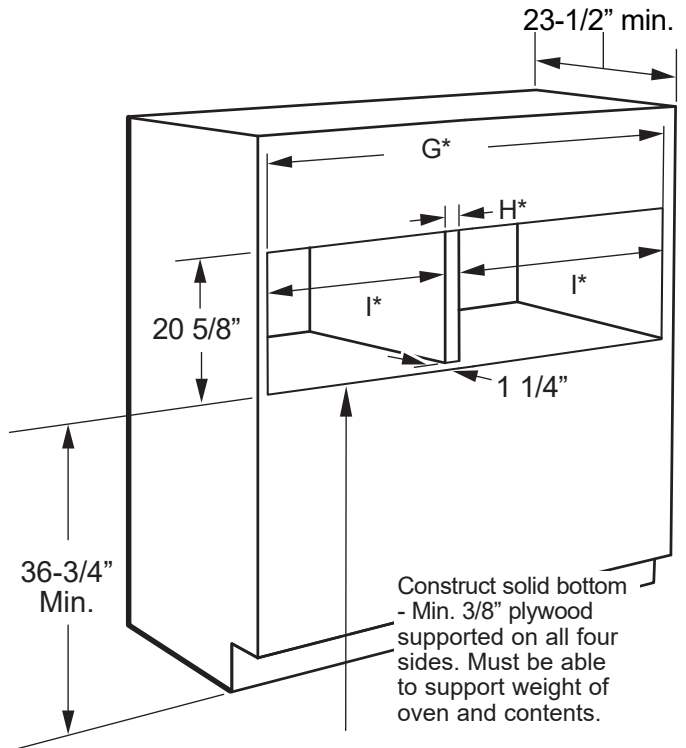
The Advantium Built-In Oven can be installed beside another Advantium Built-In Oven in a side-by-side combination.

### Double Advantium Built-In Oven Installation:

Cut the opening in a cabinet to the dimensions shown.

- Center divider acts as cleat for side of each respective unit. Only one additional side cleat needed per oven cutout.
- The support must be level and rigidly mounted, flush with the bottom edge of the cutout.

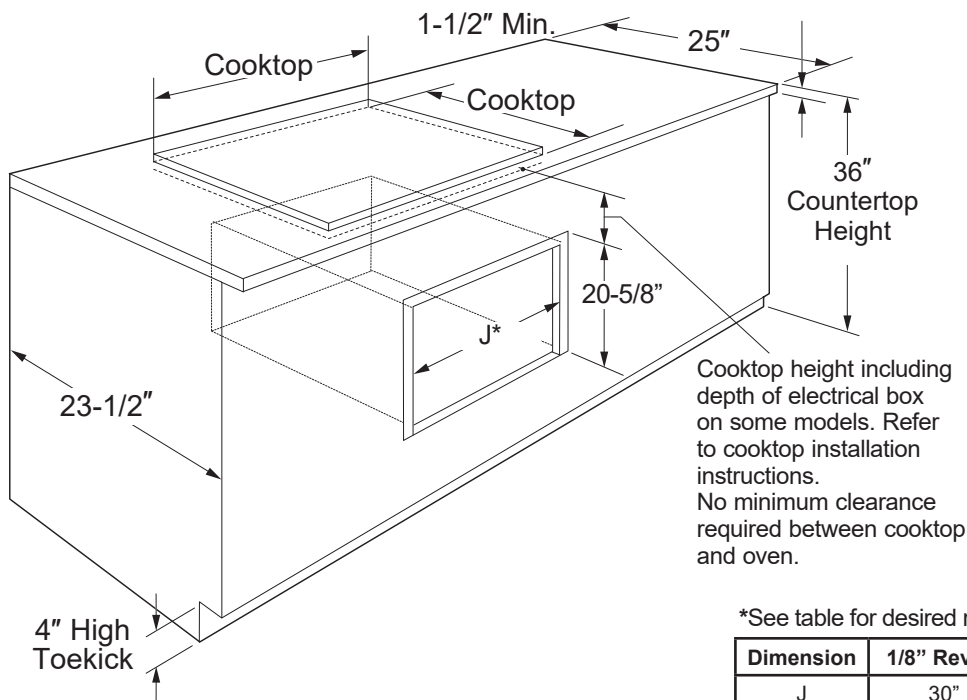
| Dimension | 1/8" Reveal | 1/4" Reveal |
|-----------|-------------|-------------|
| G         | 59-7/8"     | 60-1/4"     |
| H         | 5-1/8"      | 5-1/4"      |
| I         | 27-3/8"     | 27-1/2"     |



## PREPARE THE OPENING

### Installation under an Advantium 30" or 36" Cooktop or Countertop:

Gas or electric cooktops may be installed over this oven. See cooktop installation instructions for the cutout size. See the label on top of the oven for approved cooktop models. This oven requires a separate from the cooktop, properly grounded 15-Amp, 120-Volt, 60Hz power supply. Use a 36" or wider base cabinet.



Cooktop height including depth of electrical box on some models. Refer to cooktop installation instructions.  
No minimum clearance required between cooktop and oven.

\*1/8" reveals on sides and top

\*See table for desired reveals on sides.

| Dimension | 1/8" Reveal | 1/4" Reveal |
|-----------|-------------|-------------|
| J         | 30"         | 30-1/4"     |

# Installation Preparation

## Preparation with an Accessory Storage Drawer

As needed, see the Standard Mount Installation Preparation OR Flush Mount Installation Preparation for configuration details. Note the modified cutout height below.

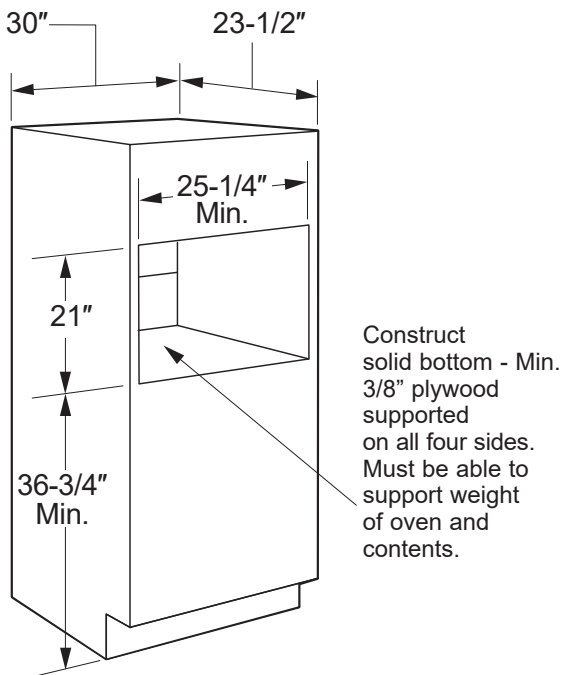
### PREPARE THE OPENING (cont.)

The Advantium Built-In Oven can be installed in combination with other GE Appliances/Monogram appliances. Always follow each product's Installation Instructions to complete the installation.

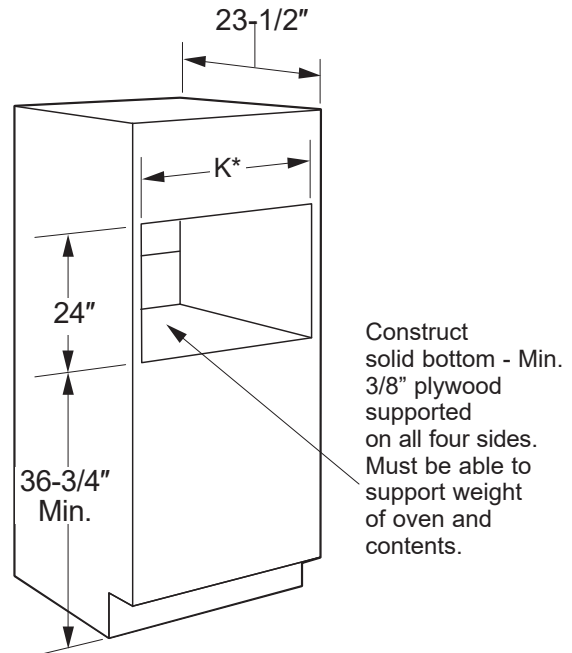
#### Single Advantium Built-In Oven Installation:

Order a 30" wide single oven cabinet or cut the opening in a wall to the dimensions shown.

#### STANDARD MOUNT:



#### FLUSH MOUNT:



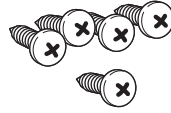
| Dimension | 1/8" Reveal | 1/4" Reveal |
|-----------|-------------|-------------|
| K         | 30"         | 30-1/4"     |

- Allow 2-1/8" case trim overlap on the sides, 2 1/4" overlap on the top and 1" overlap on the bottom of the opening for all models.
- Oven overlaps will conceal cut edges on all sides of the opening.
- When installed over a single oven or a warming drawer, allow at least 2" between the two openings. This separation will provide clearance for bottom overlap of the Advantium Built-In Oven and the other appliance overlaps.
- The support must be level and rigidly mounted, flush with the bottom edge of the cutout.

# Installation Instructions

## 1 REMOVE THE PACKAGING AND PARTS

- Remove all packing material and tape.
- Locate parts package containing mounting screws.
- Remove the oven from the carton. Do not lift unit by handle or conduit. Two people are required to lift this oven.
- Open the door and remove any packaging in oven.



5 Color-Matched Screws  
(4 required, 1 extra)



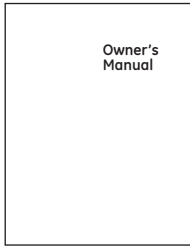
8 Brass Screws for the  
Bottom Trim  
(3 required, 5 extra)



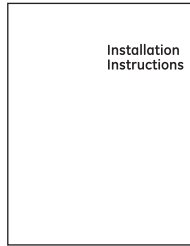
Flat-Head Screws (4 extra)



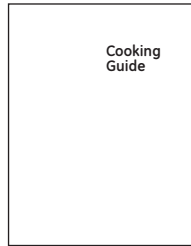
Bottom Trim



Owner's Manual



Installation  
Instructions



Cooking Guide



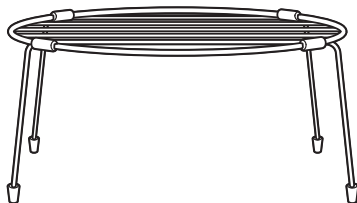
Glass Tray



Turntable Ring



Metal Trays (2)



Rack

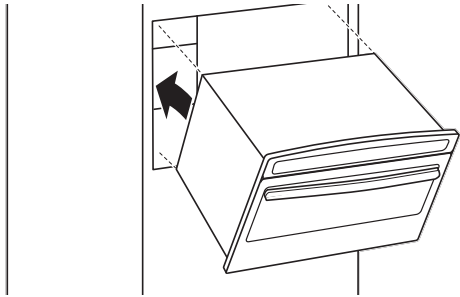
**IMPORTANT:** If installing the Advantium Built-In Oven with an accessory storage drawer, read the storage drawer assembly instructions to assemble the products together before proceeding to Step 2.

# Installation Instructions

## 2 SLIDE THE OVEN INTO THE CUTOUT

### ⚠ CAUTION

Two people are required to lift the oven into the opening. Grasp the bottom at front and rear. **DO NOT USE THE HANDLE TO LIFT THE OVEN. DAMAGE WILL OCCUR.**

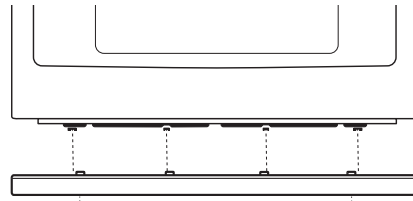


- Lift and hold the oven at the front of the opening. Hold the oven at an angle and plug in the power cord.
- Carefully, slide the oven into the cabinet part way. Leave the oven a few inches forward of the cabinet frame.
- Check to be sure the power cord is not trapped under the oven or along the sides of the oven.

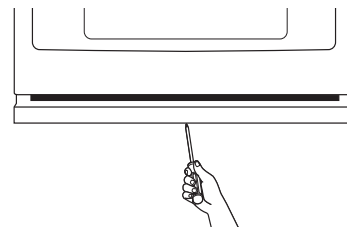
## 3 INSTALL BOTTOM TRIM

**NOTE:** If installing the Advantium Built-In Oven with an accessory storage drawer, the bottom trim is not required. Proceed to Step 5.

- **Installation Below or Above 36"**, align trim tabs on the trim to slots in the bottom of the oven.
- Align bottom trim tabs to slots in the bottom of the oven.

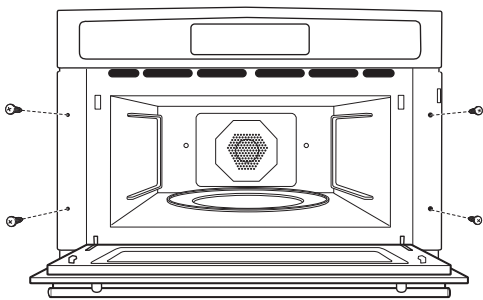


- Secure the bottom trim to the bottom of the oven using 3 screws provided.



# Installation Instructions

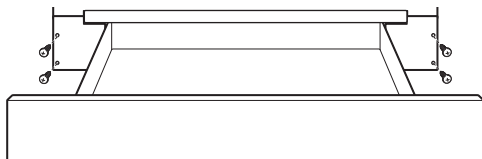
## 4 INSTALL MOUNTING SCREWS



- Slide the oven the remaining way into the opening so that the side flanges and control panel are against the cabinet frame. Make sure that the oven is centered in the opening.
- Open the door, place a turntable tray in the oven and make sure that the tray in the unit is level.
- Drill pilot holes through the side flanges.
- Drive the color-matched screws into the side flanges. It is recommended that the screws be hand tightened.

### If installing oven with an accessory storage drawer:

- Open the drawer.
- Drill pilot holes through the side flanges.
- Drive color-matched screws into the side flanges. It is recommended that the screws be hand tightened.



## 5 FINALIZE INSTALLATION

- Turn power on at the source. The interior light should come on when the door is opened.
- Refer to Owner's Manual for operating instructions.

# Notes

---

**NOTE:** While performing installations described in this book, safety glasses or goggles should be worn.

**NOTE:** Product improvement is a continuing endeavor at GE Appliances. Therefore, materials, appearance and specifications are subject to change without notice.



**GE APPLIANCES**



# Instrucciones de Instalación

Horno Advantium®  
CSB913



MFL59060928\_00

**31-2000354 Rev.0**

03-19 GEA

# Información sobre Seguridad

## ANTES DE COMENZAR

Lea estas instrucciones en su totalidad y atentamente.

**IMPORTANTE** — Conserve estas instrucciones para uso del inspector local.

**IMPORTANTE** — Cumpla con todos los códigos y ordenanzas gubernamentales.

- **Nota para el Instalador** — Asegúrese de que el Comprador conserve estas instrucciones.
- **Nota para el Consumidor** — Guarde estas instrucciones con su Manual del Propietario para referencia futura.
- **Nivel de habilidad** — La instalación de este electrodoméstico requiere un nivel básico de habilidades mecánicas y eléctricas.
- **Tiempo de Compleción — 1 Hora.**
- Es responsabilidad del instalador realizar una instalación adecuada. Si se producen fallas en el producto debido a una instalación inadecuada, la garantía no cubrirá las mismas. Para obtener información sobre la garantía, consulte el Manual del Propietario.

**NOTA:** Sólo se aprueba la instalación de este horno de acuerdo con los modelos específicos que aparecen etiquetados en esta unidad.

**IMPORTANTE** — Use este electrodoméstico sólo para su propósito original. Nunca use el electrodoméstico para calentar o calefaccionar una habitación. El uso prolongado del horno sin una ventilación adecuada puede ser riesgoso.

**⚠ PRECAUCIÓN** Para su seguridad personal, retire el fusible del hogar o el disyuntor abierto antes de comenzar la instalación, a fin de evitar lesiones graves o una descarga mortal.

**⚠ PRECAUCIÓN** Para su seguridad personal, la superficie de instalación deberá poder soportar la carga del gabinete, además del peso agregado del horno y el cajón, sumado esto a las cargas adicionales del horno.

## CONTENIDOS

### Información de Diseños

|   |   |
|---|---|
| Modelos Disponibles .....                         | 2 |
| Dimensiones y Espacios de Despeje del Producto .. | 3 |
| Herramientas Necesarias.....                      | 3 |
| Planificación Anticipada .....                    | 3 |

### Preparación de la Instalación

|   |   |
|---|---|
| Requisitos Eléctricos .....                       | 4 |
| Preparación de la Abertura (Estándar) .....       | 5 |
| Preparación de la Abertura (Montaje al Ras) ..... | 9 |

### Preparación del Cajón de Almacenamiento

|                |    |
|----------------|----|
| Estándar ..... | 11 |
| Al ras .....   | 11 |

### Instrucciones de Instalación

|   |    |
|---|----|
| Paso 1, Retire el Embalaje y las Piezas .....                       | 12 |
| Paso 2, Deslice el Horno por la Abertura .....                      | 13 |
| Paso 3, Instale la Moldura Inferior .....                           | 14 |
| Paso 4, Instale la Moldura Inferior con el Cajón de Accesorios..... | 14 |
| Paso 5, Instale los Tornillos de Montaje .....                      | 14 |
| Paso 6, Finalice la Instalación .....                               | 14 |

## MODELOS DISPONIBLES

### Café Pro Models:

CSB913P2NS1 – Acero Inoxidable  
CSB913P3ND1 – Negro Mate  
CSB913P4NW2 – Blanco Mate

### Café Min Model

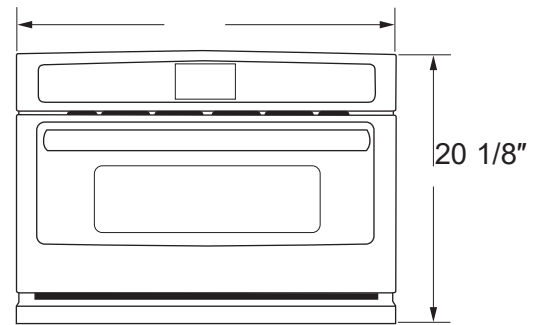
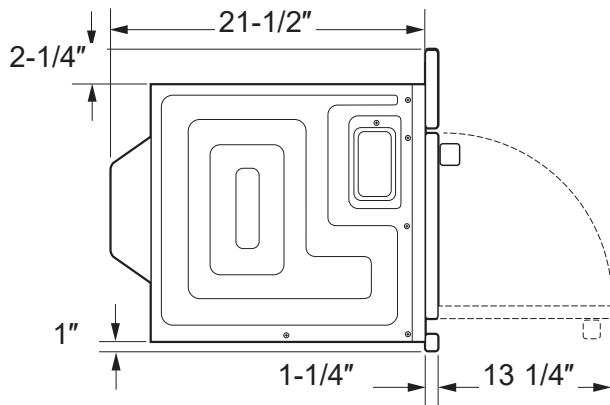
CSB913M2NS5 – Stainless Steel

\* El cajón de almacenamiento de accesorios solo está disponible para los modelos de acero inoxidable

# Información de Diseños

## DIMENSIONES Y ESPACIOS DE DESPEJE DEL PRODUCTO

NOTA: La apariencia variará según el modelo  
29-3/4"



## HERRAMIENTAS Y PIEZAS REQUERIDAS (NO SUMINISTRADAS)

- Destornillador Phillips nº 2
- Perforadora manual
- Taladro de alta velocidad, diámetro de 3/32"
- Destornillador con punta Phillips de 3/8"
- Nivel
- Sierra
- Contrachapado para piso de un mín. de 3/8" (si se requiere)
- Tornillos de madera y otras herramientas para instalar el riel o el estante para sostener el horno (si se requiere)
- Anteojos o gafas de seguridad

## PLANIFICACIÓN ANTICIPADA

- Estos hornos pueden ser instalados directamente en un gabinete para horno de 30" de ancho, utilizando la instalación estándar.
- Las dimensiones de altura de la abertura son diferentes para las instalaciones con un cajón de almacenamiento de accesorios. Asegúrese de usar el recorte correcto al preparar la abertura.
- Deje espacio en relación a las esquinas adyacentes, paredes, cajones, etc.
- Las alacenas instaladas al lado de hornos de pared deben tener una especificación de adhesión de potencia de temperatura de por lo menos 194°F.

El horno debe ser instalado de forma segura en un gabinete que esté adherido de manera firme a la estructura de la casa. Cualquier peso sobre la puerta del horno podrá hacer que éste se incline y se produzcan lesiones. Nunca permita que nadie se trepe, siente, pare ni cuelgue de la puerta del horno. Si instalará el accesorio para cajones, el cajón deberá ser ensamblado al horno antes de la instalación en el gabinete. Consulte las **Instrucciones de Ensamble del Cajón de Almacenamiento de Accesorios**.

## INSTALACIÓN DEL MONTAJE AL RAS (Monogram únicamente)

Este método de instalación permite que la cara de la unidad quede alineada con la cara del gabinete.

**IMPORTANTE: SE REQUIERE UN NIVEL DE HABILIDAD ALTO EN CARPINTERÍA. Se podrán adquirir gabinetes no estándares.**

La instalación al ras del horno hará que se expongan los extremos del marco de la cara del gabinete.

Los ristreles laterales podrán quedar visibles y deberán poseer una superficie acabada.

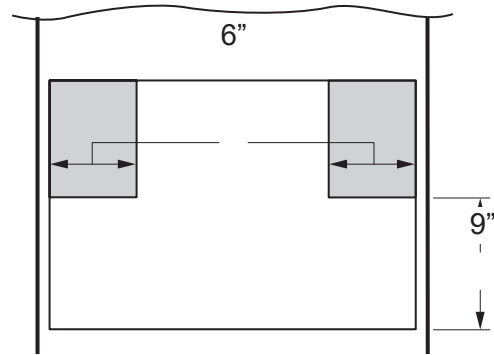
# Preparación de la Instalación

## REQUISITOS ELÉCTRICOS

### Instalación Simple del Advantium horno empotrado

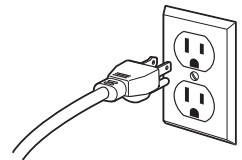
Este producto requiere un circuito de 120 voltios, 60 Hz, 15 amperes y consume 1.8 kilowatts. Este producto se debe conectar a un circuito con un suministro correcto de voltaje y frecuencia.

- El tamaño del cable deberá ser conforme a los requisitos del Código Eléctrico Nacional o del código local obligatorio con relación a la cantidad de kilowatts.
- El cable y el enchufe de suministro de corriente se deberán conectar al tomacorriente simple con conexión a tierra de un disyuntor de entre 15 y 20 amperes. La caja del tomacorriente deberá ser ubicada dentro del alcance del cable de corriente de 48".



Ubique la caja del tomacorriente en el área sombreada.

Instale un tomacorriente eléctrico empotrado en la pared trasera de la abertura, dentro de las 6" de cualquiera de los lados y a por los menos 9" sobre el piso del recorte.



## INSTRUCCIONES DE CONEXIÓN A TIERRA

### ⚠ ADVERTENCIA

**El uso inadecuado del enchufe de conexión a tierra puede provocar riesgos de descargas eléctricas.**



Este electrodoméstico deberá estar conectado a tierra. En caso de que se produzca un cortocircuito, la conexión a tierra reduce el riesgo de descarga eléctrica, brindando un cable de salida de la corriente eléctrica.

Este electrodoméstico está equipado con un cable de corriente que posee un cable de conexión a tierra con un enchufe a tierra. El enchufe se deberá conectar en un tomacorriente instalado y conectado a tierra de forma adecuada.

Consulte a un electricista calificado o al personal del servicio técnico en caso de que las INSTRUCCIONES DE CONEXIÓN A TIERRA no se entiendan completamente o si tiene dudas sobre si el electrodoméstico está conectado a tierra de forma apropiada.

En caso de contar con un tomacorriente de pared estándar de 2 cables, es su responsabilidad y obligación reemplazarlo por un tomacorriente de pared de 3 cables correctamente conectado a tierra.

Bajo ninguna circunstancia corte o elimine el tercer cable (tierra) del cable de corriente.

No use un prolongador. Si el cable de corriente es demasiado corto, solicítele a un electricista o a personal del servicio técnico calificado la instalación de un tomacorriente cerca del electrodoméstico.

Para un mejor funcionamiento, conecte este electrodoméstico en su tomacorriente eléctrico a fin de evitar parpadeos de las luces, explosión del fusible o desactivación del disyuntor.

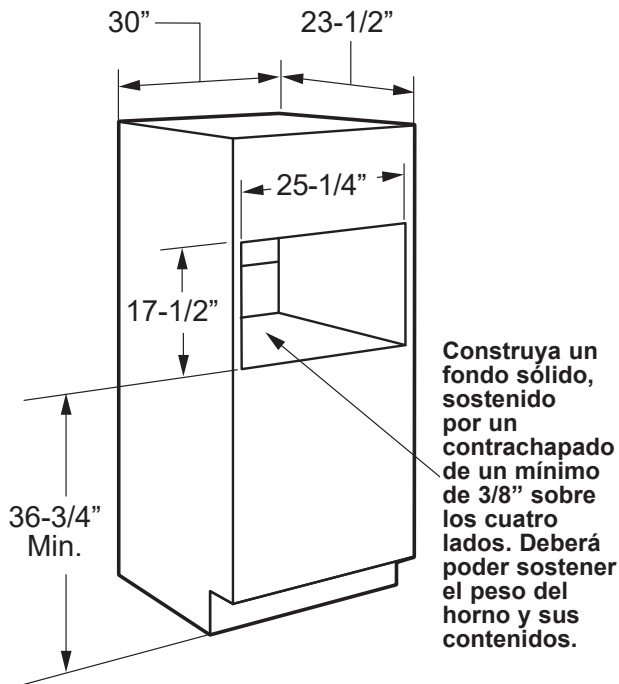
# Preparación de la Instalación Estándar

## PREPARACIÓN DE LA ABERTURA

El Advantium puede ser instalado junto con otros electrodomésticos. Siempre siga las instrucciones de instalación de cada producto, a fin de completar la instalación.

### Instalación Simple del Advantium

Ordene un gabinete de horno simple de 30" de ancho o recorte la abertura en una pared siguiendo las dimensiones mostradas.

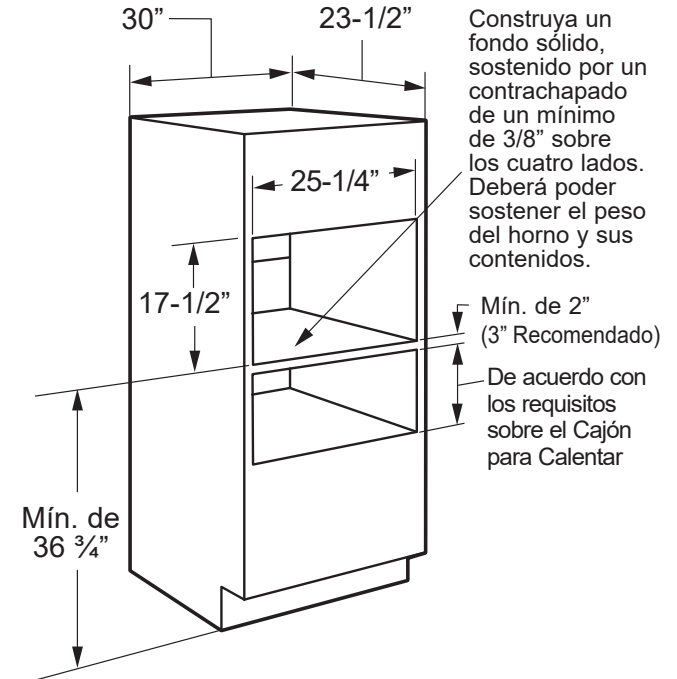


- Haga que la moldura del gabinete se superponga 2 1/4" en la parte superior y 1" en la parte inferior, y que haya una superposición de 2 1/4" sobre cada lado de la abertura.
- Las superposiciones del horno ocultarán los extremos cortantes sobre todos los costados de la abertura. Cuando se instale sobre un horno simple o sobre un cajón para calentar, deje por lo menos 2" entre las dos aberturas. Esta separación brindará espacio entre la superposición inferior del Advantium y las superposiciones de los demás electrodomésticos.
- El soporte debe estar nivelado y montado de forma rígida, al ras con el extremo inferior de la abertura.

## PREPARACIÓN DE LA ABERTURA

(CONT.)

### Instalación sobre un Cajón para Calentar:



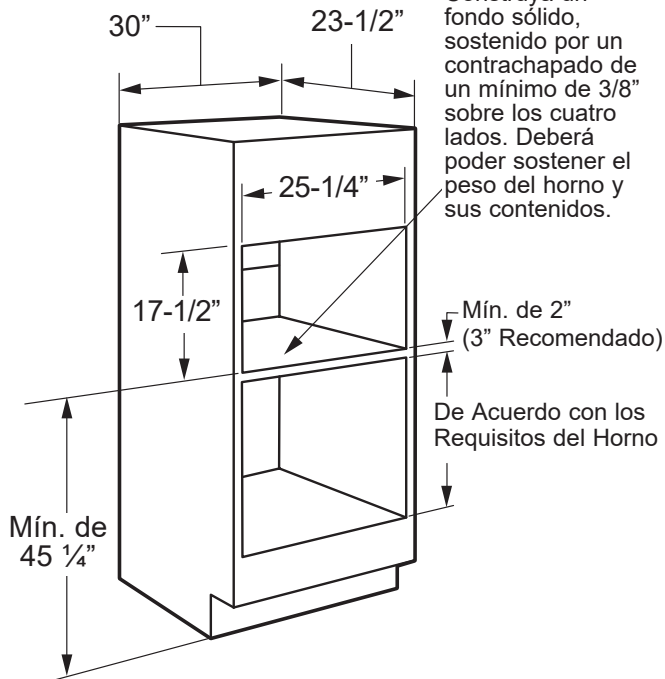
**NOTA:** Se podrán requerir despejes adicionales entre los recortes. Asegúrese de que los soportes del horno sobre la ubicación del Cajón para Calentar no obstruyan la profundidad y altura internas requeridas. Para más detalles, consulte las instrucciones de instalación del Cajón para Calentar.

# Preparación para la Instalación Estándar

## PREPARACIÓN DE LA ABERTURA (CONT.)

### Instalación sobre un horno de pared:

\* Si reemplazará un horno eléctrico



Construya un fondo sólido, sostenido por un contrachapado de un mínimo de 3/8" sobre los cuatro lados. Deberá poder sostener el peso del horno y sus contenidos.

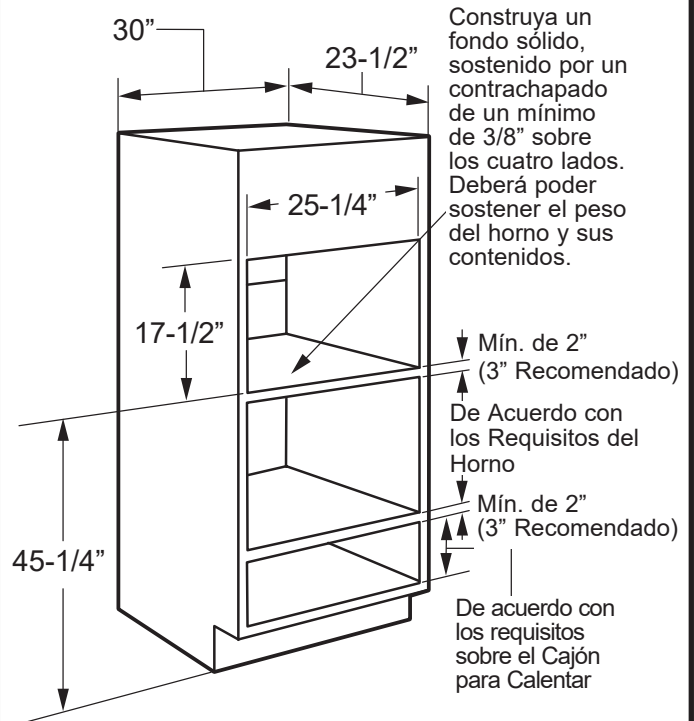
Mín. de 2" (3" Recomendado)

De Acuerdo con los Requisitos del Horno

doble por la instalación combinada de un Advantium y un horno simple, use las dimensiones mostradas. Es posible que el riel intermedio que separa las dos aberturas deba ser más largo que el de un mínimo de 2" mostrado.

## PREPARACIÓN DE LA ABERTURA (CONT.)

### Instalación sobre un horno de pared y un cajón calentador:



Construya un fondo sólido, sostenido por un contrachapado de un mínimo de 3/8" sobre los cuatro lados. Deberá poder sostener el peso del horno y sus contenidos.

Mín. de 2" (3" Recomendado)

De Acuerdo con los Requisitos del Horno

Mín. de 2" (3" Recomendado)

De acuerdo con los requisitos sobre el Cajón para Calentar

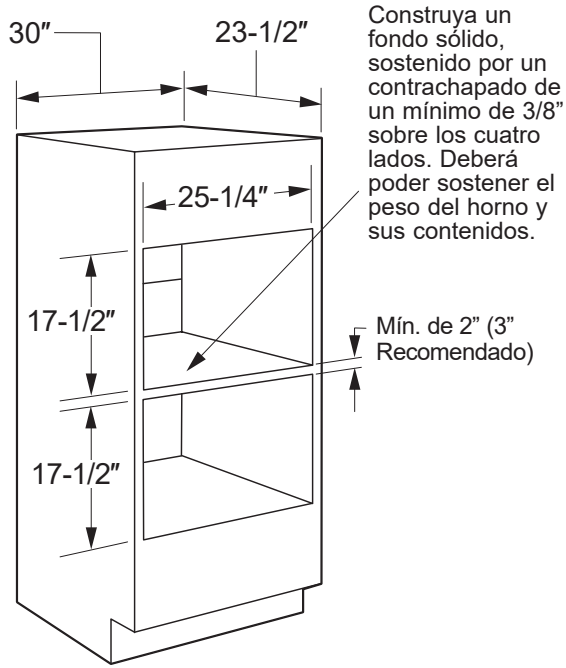
**NOTA:** Se podrán requerir despejes adicionales entre los recortes. Asegúrese de que los soportes del horno sobre la ubicación del Cajón para Calentar no obstruyan la profundidad y altura internas requeridas. Para más detalles, consulte las instrucciones de instalación del Cajón para Calentar.

**⚠ PRECAUCIÓN** Para su seguridad personal, la superficie de instalación deberá poder soportar la carga del gabinete, además del peso agregado del horno y el cajón, sumado esto a las cargas adicionales del horno.

# Preparación para la Instalación Estándar

## PREPARACIÓN DE LA ABERTURA (cont.)

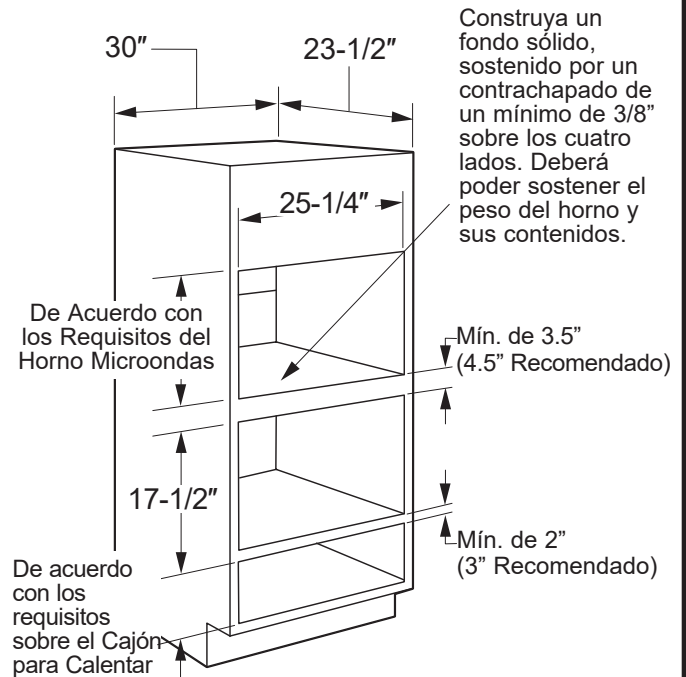
Instalación sobre otro horno incorporado Advantium:



- Si montará un horno de Velocidad de Cocción Incorporado sobre otro, use las dimensiones mostradas. Es posible que el riel intermedio que separa las dos aberturas deba ser más largo que el de un mínimo de 2" mostrado.

## PREPARACIÓN DE LA ABERTURA (cont.)

Instalación debajo de un horno de microondas y sobre un cajón calentador:



**NOTA:** Se podrán requerir despejes adicionales entre los recortes. Asegúrese de que los soportes del horno sobre la ubicación del Cajón para Calentar no obstruyan la profundidad y altura internas requeridas. Para más detalles, consulte las instrucciones de instalación del Cajón para Calentar.

**⚠ PRECAUCIÓN** Para su seguridad personal, la superficie de instalación deberá poder soportar la carga del gabinete, además del peso agregado del horno y el cajón, sumado esto a las cargas adicionales del horno.

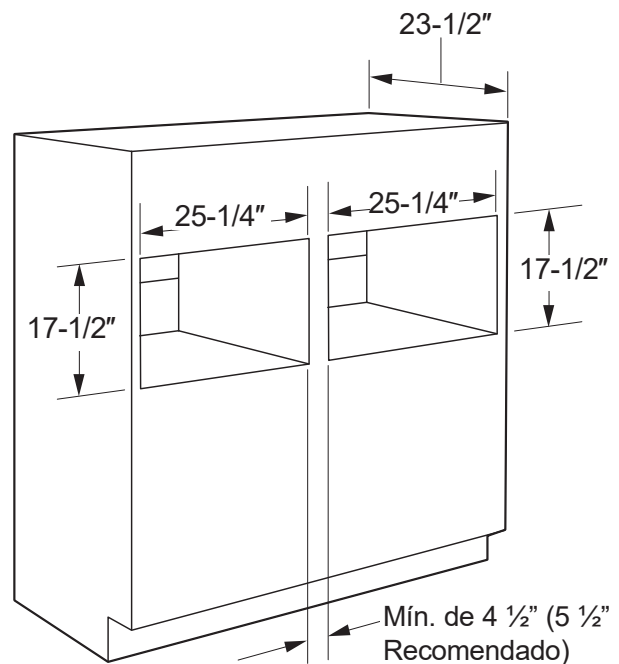
# Preparación para la Instalación Estándar

## PREPARACIÓN DE LA ABERTURA

(cont.)

### Instalación al lado de otro horno incorporado Advantium:

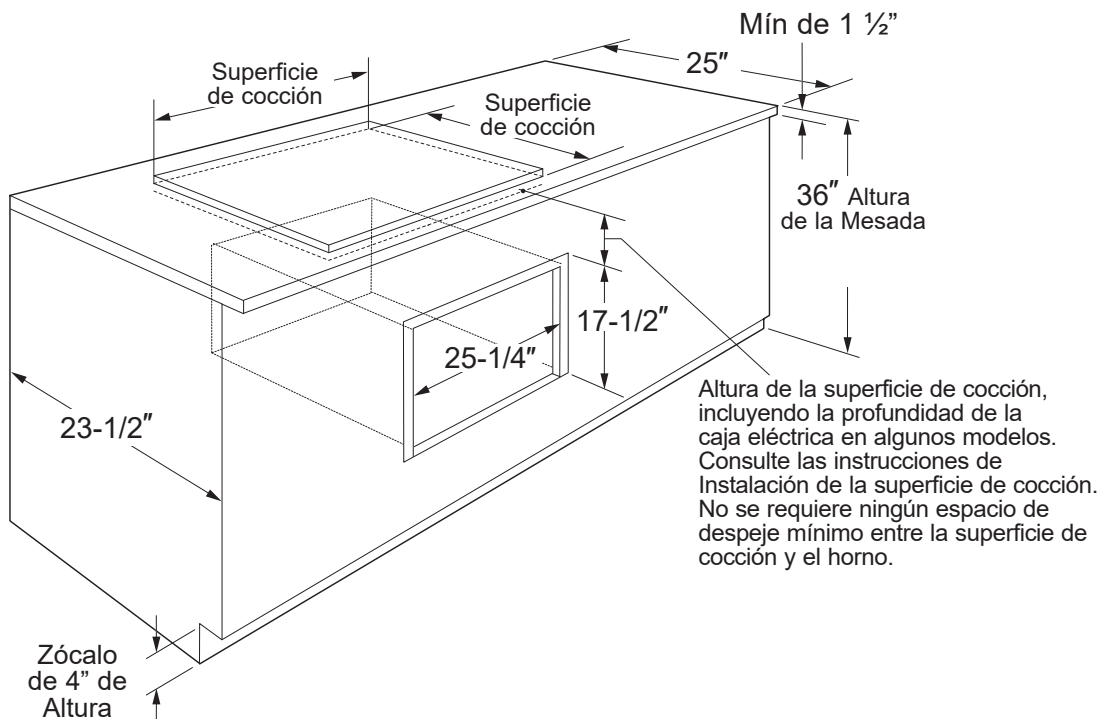
- Si montará un horno de Velocidad de Cocción Incorporado junto a otro, use las dimensiones mostradas. Es posible que el riel intermedio que separa las dos aberturas deba ser más largo que el de un mínimo de 4 ½" mostrado.



## PREPARACIÓN DE LA ABERTURA (cont.)

### Instalación debajo de una Superficie de Cocción o Mesada de 30" o 36":

Las superficies de cocción a gas o eléctricas podrán ser instaladas sobre este horno. Para conocer el tamaño de la abertura, consulte las instrucciones de instalación de la superficie de cocción. Consulte la etiqueta en la parte superior del horno para conocer los modelos con superficie de cocción aprobados. Este horno requiere un suministro de corriente aparte, adecuadamente conectado a tierra de 15 amperes, 120 voltios y 60 Hz. La superficie de cocción requiere un suministro de corriente aparte. Use un gabinete de 36" o con una base más ancha.





# Preparación de la Instalación para el Montaje al Ras (Monogram Únicamente)

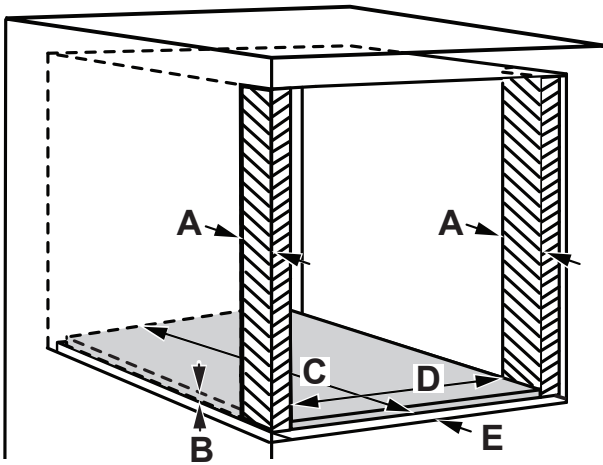
## PREPARE EL INTERIOR

### Corte e instale los ristreles laterales:

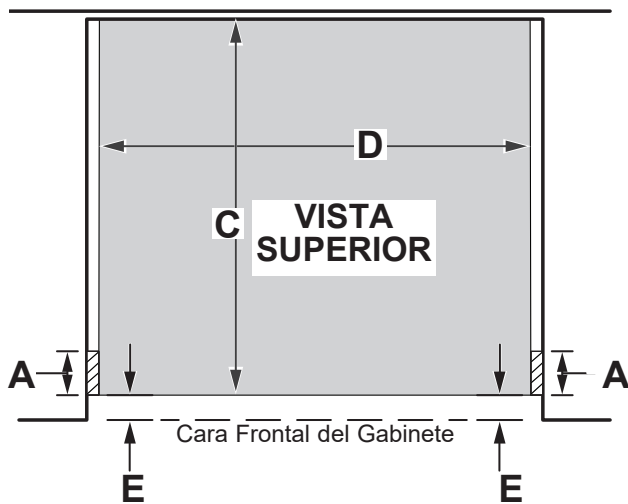
- Corte los ristreles de madera laterales a la altura de la abertura del gabinete y a aproximadamente 2 1/2" de profundidad. Instale, a cada lado, a 1 3/8" desde la cara frontal del gabinete.

### Corte e instale el ristel inferior:

- Corte el ristel de madera a una altura de 1 1/8", una profundidad del gabinete menos 1 3/8" y un ancho de 25 1/4" para que coincida entre los ristreles laterales. Instale en el piso del gabinete entre los ristreles laterales, persione el mismo completamente hacia atrás contra la pared del gabinete y asegúrese de que su cara frontal se alinee con las caras frontales de los ristreles laterales (brecha de 1 3/8" desde la cara frontal del gabinete).



|   |  |                                       |
|---|--|---------------------------------------|
| A | Profundidad de los ristreles laterales | Mín. de 2 1/2"                        |
| B | Altura del ristel inferior             | 1-1/8"                                |
| C | Profundidad del ristel inferior        | Profundidad del gabinete menos 1 3/8" |
| D | Ancho del ristel inferior              | 25-1/4"                               |
| E | Los tres ristreles                     | 1 1/4"                                |

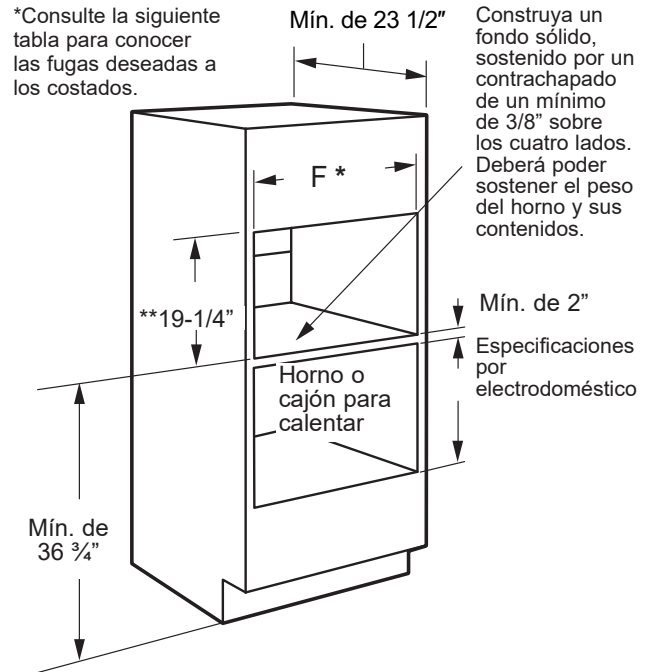


## PREPARACIÓN DE LA ABERTURA

El Advantium puede ser instalado junto con otros electrodomésticos. Siempre siga las instrucciones de instalación de cada producto, a fin de completar la instalación.

### Instalación Simple de Advantium

Corte la abertura en un gabinete siguiendo las dimensiones mostradas.



- El soporte debe estar nivelado y montado de forma rígida, al ras con el extremo inferior de la abertura.

| Instalación al Ras Aprobada                         | Dimensión F      |              |
|---|------------------|--------------|
|   | Fuga de 1/8"     | Fuga de 1/4" |
| Advantium Simple                                    | 30"              | 30-1/4"      |
| Sobre el Cajón para Calentar                        | 30"              | 30-1/4"      |
| Sobre el Horno                                      | 30"              | 30-1/4"      |
| Sobre el Horno y el Cajón para Calentar             | 30"              | 30-1/4"      |
| Sobre el Horno con Velocidad de Cocción Incorporada | 30"              | 30-1/4"      |
| Advantium Doble (lado a lado)                       | Lea la página 10 |              |
| Debajo de la Superficie de Cocción o de la Mesada   | Lea la página 10 |              |

\*\* Las fugas superior e inferior están configuradas en 1/8".

# Preparación de la Instalación para el Montaje al Ras (Monogram Únicamente)

## PREPARACIÓN DE LA ABERTURA

El Advantium puede ser instalado junto a otro Advantium combinando uno al lado del otro.

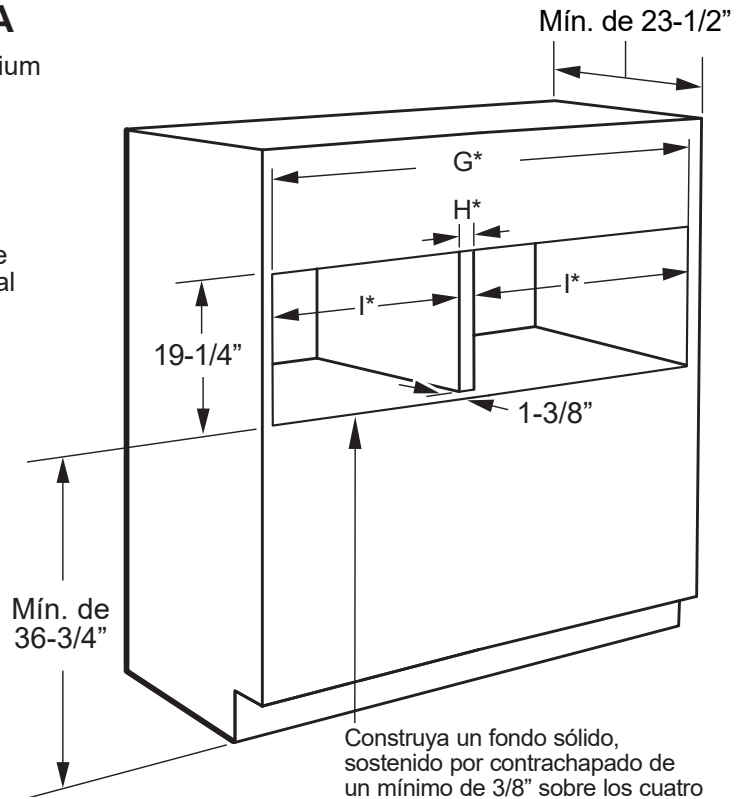
### Instalación del Advantium Doble:

Corte la abertura en un gabinete siguiendo las dimensiones mostradas.

- El divisor central actúa como un rístel para el lado de cada unidad respectiva. Sólo un rístel lateral adicional es necesario de acuerdo con la abertura del horno.
- El soporte debe estar nivelado y montado de forma rígida, al ras con el extremo inferior de la abertura.

\*Consulte la tabla para conocer las fugas necesarias a los costados y entre la unidad.

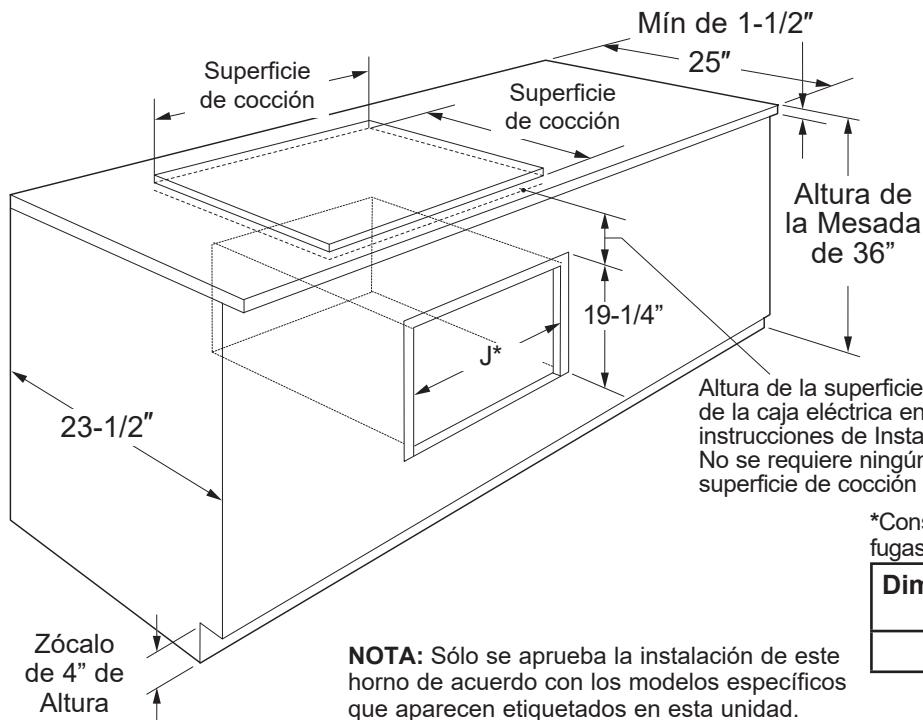
| Dimensión | Fuga de 1/8" | Fuga de 1/4" |
|-----------|--------------|--------------|
| G         | 59-7/8"      | 60-1/4"      |
| H         | 5-1/8"       | 5-1/4"       |
| I         | 27-3/8"      | 27-1/2"      |



Construya un fondo sólido, sostenido por contrachapado de un mínimo de 3/8" sobre los cuatro lados. Deberá poder sostener el peso del horno y sus contenidos.

### Instalación debajo de una Superficie de Cocción o Mesada de 30" o 36":

Las superficies de cocción a gas o eléctricas podrán ser instaladas sobre este horno. Para conocer el tamaño de la abertura, consulte las instrucciones de instalación de la superficie de cocción. Consulte la etiqueta en la parte superior del horno para conocer los modelos con superficie de cocción aprobados. Este horno requiere un suministro de corriente aparte, adecuadamente conectado a tierra de 15 amperes, 120 voltios y 60 Hz. Use un gabinete de 36" o con una base más ancha.



Altura de la superficie de cocción, incluyendo la profundidad de la caja eléctrica en algunos modelos. Consulte las instrucciones de Instalación de la superficie de cocción. No se requiere ningún espacio de despeje mínimo entre la superficie de cocción y el horno.

\*Consulte la siguiente tabla para conocer las fugas deseadas a los costados.

| Dimensión | Fuga de 1/8" | Fuga de 1/4" |
|-----------|--------------|--------------|
| J         | 30"          | 30-1/4"      |

**NOTA:** Sólo se aprueba la instalación de este horno de acuerdo con los modelos específicos que aparecen etiquetados en esta unidad.

# Preparación de la Instalación

## Preparación con un cajón de almacenamiento de accesorios

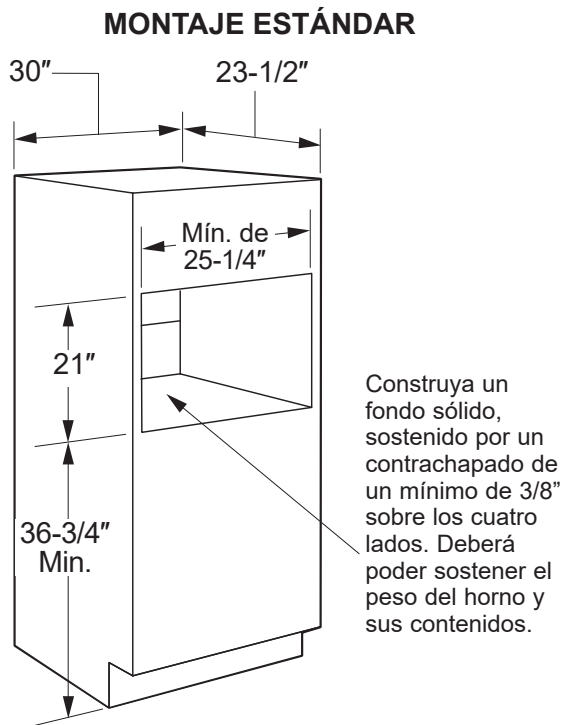
Según sea necesario, consulte la Preparación para la instalación del montaje estándar O la Preparación para la instalación del montaje empotrado para obtener detalles de configuración. Tenga en cuenta la altura de corte modificada a continuación

## PREPARACIÓN DE LA ABERTURA (cont.)

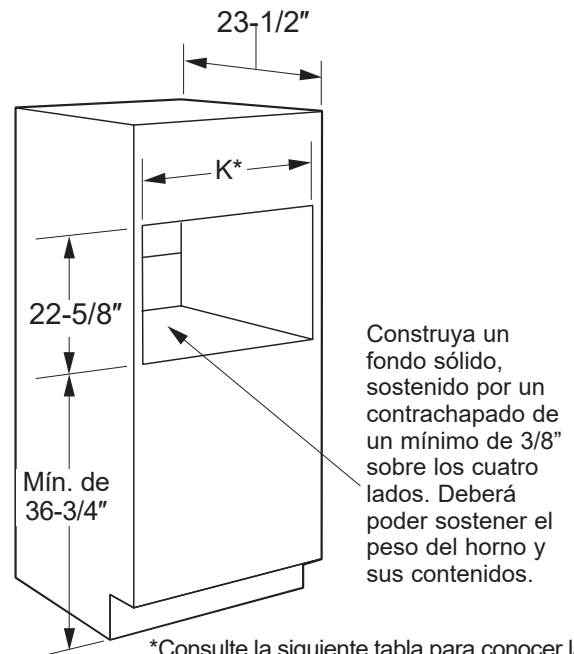
El Advantium puede ser instalado junto con otros electrodomésticos. Siempre siga las instrucciones de instalación de cada producto, a fin de completar la instalación.

### Instalación Simple de Advantium:

Ordene un gabinete para horno simple de 30" de ancho o recorte la abertura en una pared siguiendo las dimensiones mostradas.



### INSTALACIÓN DEL MONTAJE AL RAS (Monogram únicamente)



\*Consulte la siguiente tabla para conocer las fugas deseadas a los costados.

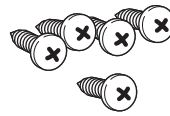
| Dimensión | Fuga de 1/8" | Fuga de 1/4" |
|-----------|--------------|--------------|
| K         | 30"          | 30-1/4"      |

- Permita que haya una superposición de la moldura de la caja de 2 1/8" sobre los costados, una superposición de 2 1/4" en la parte superior, y una superposición de 1" en la parte inferior de la abertura para todos los modelos.
- Las superposiciones del horno ocultarán los extremos cortantes sobre todos los costados de la abertura.
- Cuando se instale sobre un horno simple o sobre un cajón para calentar, deje por lo menos 2" entre las dos aberturas. Esta separación brindará espacio para la superposición inferior del Advantium y las superposiciones de los demás electrodomésticos.
- El soporte debe estar nivelado y montado de forma rígida, al ras con el extremo inferior de la abertura.

# Instrucciones de Instalación

## 1 RETIRE EL EMBALAJE Y LAS PIEZAS

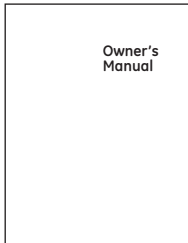
- Retire todo el material de embalaje y la cinta.
- Ubique el paquete de piezas que contiene los tornillos de montaje.
- Retire el horno del cartón. No levante la unidad de la manija ni del conducto. Es necesario que el horno sea levantado por dos personas.
- Abra la puerta y retire cualquier embalaje que haya dentro del horno.



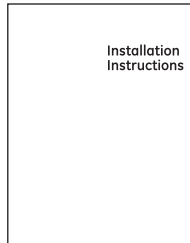
5 Tornillos del Mismo Color  
(4 requeridos, 1 adicional)



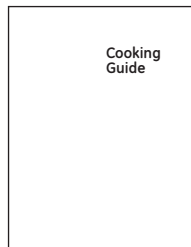
8 Tornillos de Latón para la Moldura Inferior  
(3 requeridos, 5 adicionales)



Manual del Propietario



Instrucciones de Instalación



Guía de Cocción



Tornillos de cabeza plana  
(4 adicionales)



Ajuste inferior

**IMPORTANTE:** Si instalará el Horno Advantium con un cajón de almacenamiento de accesorios, lea las instrucciones de ensamblaje del cajón de almacenamiento para ensamblar los productos juntos, antes de proceder al paso 2.



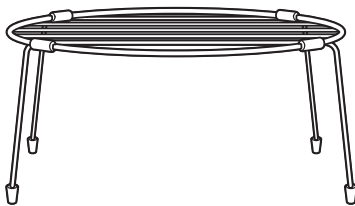
Bandeja de Vidrio



Anillo del Plato Giratorio



Bandejas de Metal (2)

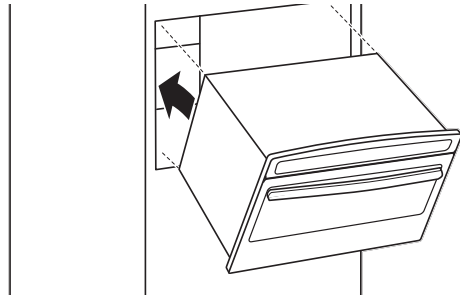


Estante

# Instrucciones de Instalación

## 2 DESLICE EL HORNO POR LA ABERTURA

**⚠PRECAUCIÓN** Se requiere contar con dos personas para colocar el horno en la abertura. Se deberá tomar la parte inferior sobre la parte frontal y trasera. **NO USE LA MANIJA PARA LEVANTAR EL HORNO. SE PRODUCIRÁN DAÑOS.**



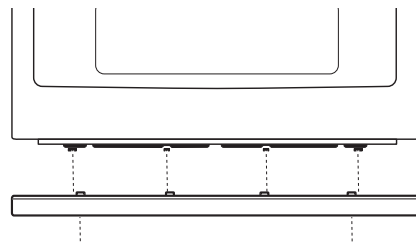
- Levante y sostenga el horno desde el frente de la abertura. Sostenga el horno en un ángulo y enchufe el cable de corriente.
- Con cuidado, deslice el horno sólo hasta una parte dentro del gabinete. Deje el horno a unas pocas pulgadas delante de la estructura del gabinete.
- Asegúrese de que el cable de corriente no quede atrapado debajo del horno ni a lo largo de los costados del horno.

## 3 INSTALE LA MOLDURA INFERIOR

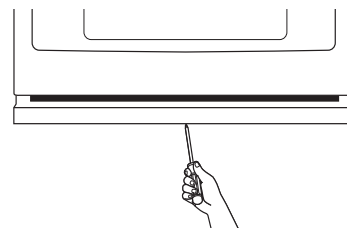
**⚠PRECAUCIÓN** Si instalará el Horno Advantium por debajo de 36", deberá usar el borde inferior de plástico debido a riesgos de quemaduras de los niños. El borde de plástico actúa como aislante y ayudará a evitar que los niños sufran quemaduras sobre las superficies calientes.

**NOTA:** Si instalará el Horno Advantium con un cajón de almacenamiento de accesorios, la moldura inferior no será necesaria. Proceda al Paso 5.

- **En la Instalación por debajo de 36"**, alinee las lengüetas de la moldura sobre la moldura de plástico con las ranuras de la parte inferior del horno.
- **En la Instalación por encima de 36"**, alinee las lengüetas de la moldura sobre la moldura de plástico

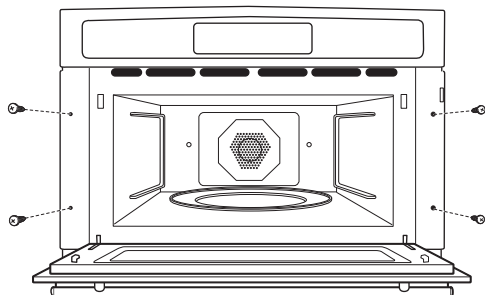


- con las ranuras de la parte inferior del horno.
- Asegure la moldura inferior con la parte inferior del horno usando los 3 tornillos provistos.



# Instrucciones de Instalación

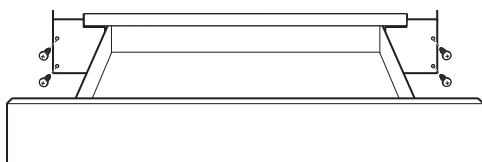
## 4 INSTALACIÓN DE LOS TORNILLOS DE MONTAJE



- Deslice el horno por el resto del recorrido hasta la abertura, de modo que las pestañas laterales y el panel de control queden contra la estructura del gabinete. Asegúrese de que el horno quede centrado en la abertura.
- Abra la puerta, coloque una bandeja giratoria en el horno y asegúrese de que la misma quede nivelada en la unidad.
- Haga agujeros piloto a través de las pestañas laterales.
- Coloque los tornillos del mismo color en las pestañas laterales. Se recomienda que los tornillos sean ajustados de forma manual.

### Si instalará el horno con un cajón de almacenamiento de accesorios:

- Abra el cajón.
- Haga agujeros piloto a través de las pestañas laterales.
- Coloque los tornillos del mismo color en las pestañas laterales. Se recomienda que los tornillos sean ajustados de forma manual.



## 5 FINALIZACIÓN DE LA INSTALACIÓN

- Presione el encendido. La luz interna se deberá encender cuando la puerta se abra.
- Para acceder a instrucciones de uso, consulte el Manual del Propietario.

# Notas

---

**NOTA:** Al realizar las instalaciones descritas en este libro, se deberán usar anteojos o gafas de seguridad.

**NOTA:** GE Appliances se esfuerza de forma constante para mejorar sus productos. Por lo tanto, los materiales, el aspecto y las especificaciones están sujetos a cambios sin aviso previo.

