

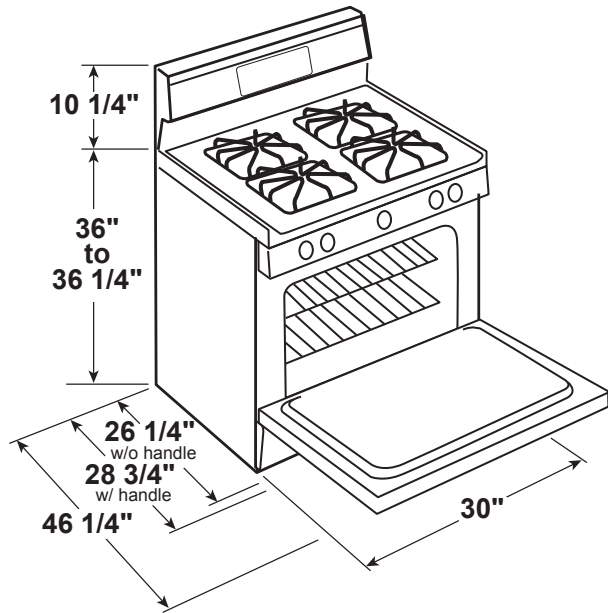
# JGBS30DEK/REK

## GE® Series 30" Free-Standing Gas Range

### DIMENSIONS AND INSTALLATION INFORMATION

**ELECTRICAL RATING:** 120V, 60Hz, 15A

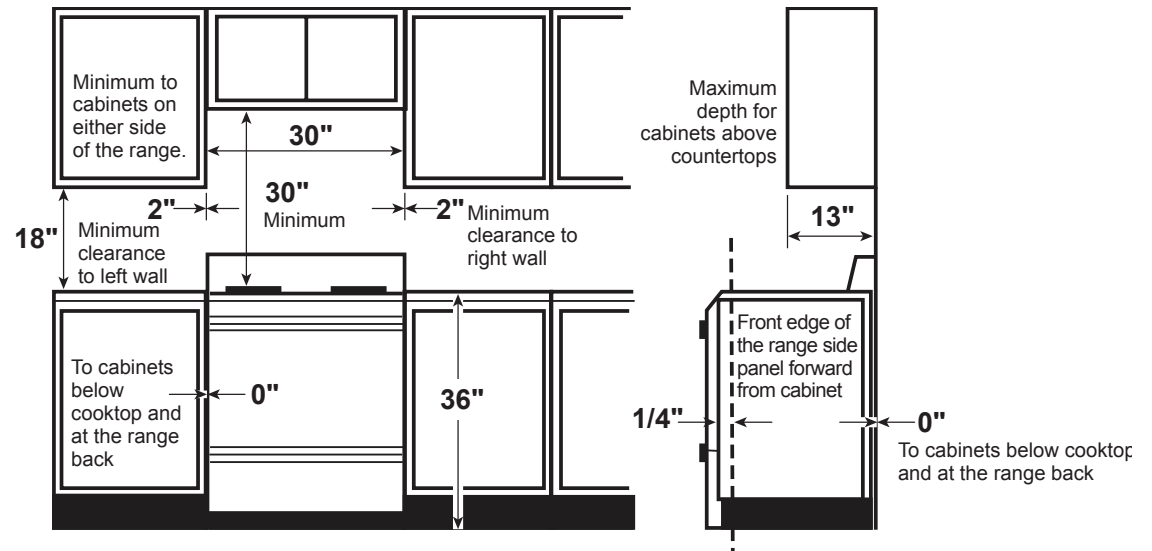
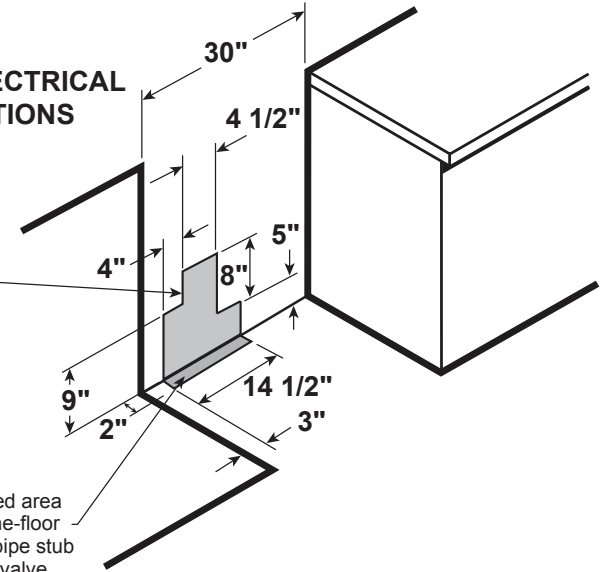
**INSTALLATION INFORMATION:** Before installing, consult installation instructions packed with product for current dimensional data.



### GAS PIPE AND ELECTRICAL OUTLET LOCATIONS

Recommended area for 120V outlet on rear wall and area for through-the-wall connection of pipe stub and shut-off valve.

Recommended area for through-the-floor connection of pipe stub and shut-off valve.



For answers to your Monogram, GE Café™ Series, GE Profile™ Series or GE Appliances product questions, visit our website at [geappliances.com](http://geappliances.com) or call GE Answer Center® Service, 800.626.2000.



All GE ranges are equipped with an Anti-Tip device. The installation of this device is an important, required step in the installation of the range.

Specification Revised 9/17

# JGBS30DEK/REK

## GE® Series 30" Free-Standing Gas Range

### FEATURES AND BENEFITS

13,000 BTU burner - Delivers a wide range of heat output ideal for most cooking requirements

Big view window - Large, clear window makes checking food easy

Precise Simmer burner - Delicate foods don't burn with low, even heat

Sealed cooktop burners - Contains spills and make cleaning quick and easy

Black gloss steel grates - Easily wipe away messes from a smooth, glossy surface

4.8 cu. ft. oven capacity - Enough room to cook an entire meal at once

Model JGBS30DEKWW - White on white

Model JGBS30DEKBB - Black on black

Model JGBS30REKSS - Stainless steel

