

KitchenAid® Commercial Style Gas Cooktop

PRODUCT MODEL NUMBERS

KGCU407V KGCU467V KGCU483V
 KGCU462V KGCU482V KGCU484V
 KGCU463V

ELECTRICAL REQUIREMENTS

A 120-volt, 60 Hz, AC-only, 15-amp, fused electrical circuit is required. A time-delay fuse or circuit breaker is also recommended. It is recommended that a separate circuit serving only this cooktop be provided.

GAS REQUIREMENTS

Type of Gas

Natural Gas:

This cooktop is factory-set for use with Natural gas. To convert to LP gas, see the Gas Conversion instructions provided in the package containing literature. The model/serial/rating plate located on the left underside of the cooktop burner base has information on the types of gas that can be used. If the types of gas listed do not include the type of gas available, check with the local gas supplier.

LP Gas conversion:

Conversion must be done by a qualified service technician.

No attempt shall be made to convert the cooktop from the gas specified on the model/serial/rating plate for use with a different gas without consulting the serving gas supplier. To convert to LP gas, use the LP gas conversion kit provided with the cooktop and see the "Gas Conversions" section.

Gas Supply Line

■ Provide a gas supply line of $\frac{3}{4}$ " (1.9 cm) rigid pipe to the cooktop location. A smaller size pipe on longer runs may result in insufficient gas supply. With LP gas, piping or tubing size can be $\frac{1}{2}$ " (1.3 cm) minimum. Usually, LP gas suppliers determine the size and materials used in the system.

NOTE: Pipe-joint compounds that resist the action of LP gas must be used. Do not use TEFLON® tape.

Flexible metal appliance connector:

■ If local codes permit, a new CSA design-certified, 4-5 ft (122-152.4 cm) long, $\frac{5}{8}$ " (1.6 cm) or $\frac{3}{4}$ " (1.9 cm) I.D. (inside diameter), flexible metal appliance connector may be used for connecting the cooktop to the gas supply line.

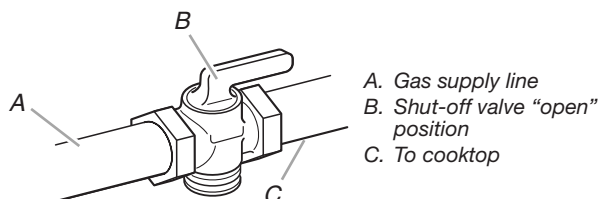


■ A $\frac{1}{2}$ " (1.3 cm) male pipe thread is needed for connection to the female pipe threads of the inlet to the appliance pressure regulator.

■ Do not kink or damage the flexible metal tubing when moving the cooktop.

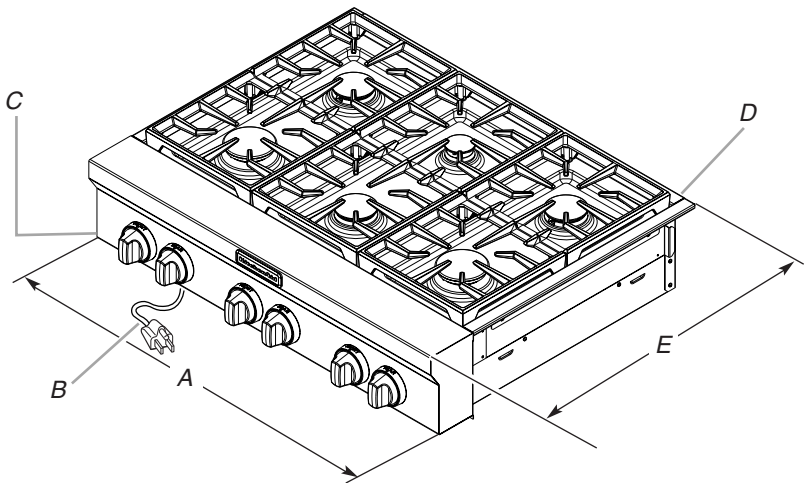
■ Must include a shut-off valve:

The supply line must be equipped with a manual shut-off valve. This valve should be located in the same room but external to the cooktop enclosure or cabinet. It should be in a location that allows ease of opening and closing. Do not block access to shut-off valve. The valve is for turning on or shutting off gas to the cooktop.



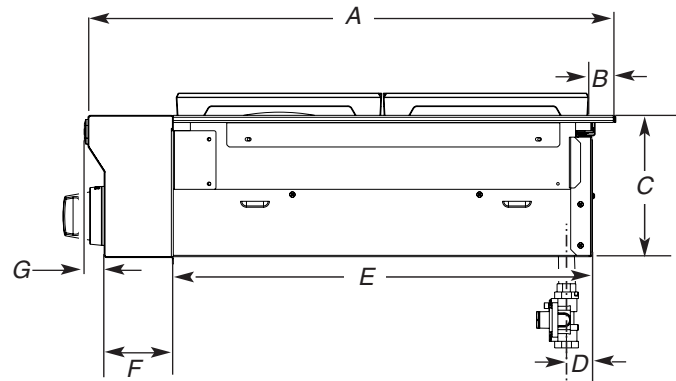
†®TEFLON is a registered trademark of Chemours.

PRODUCT DIMENSIONS



- A. 30" (76.2 cm) cooktop: 29 $\frac{7}{8}$ " (75.9 cm)
 36" (91.4 cm) cooktop: 35 $\frac{3}{4}$ " (90.8 cm)
 48" (121.9 cm) cooktop: 47 $\frac{7}{8}$ " (121.6 cm)
- B. 36" (91.4 cm) long 3 prong grounding-type power supply cord
- C. Model/serial/rating plate (located on the underside of the cooktop burner base)
- D. Island trim or optional backguard
- E. 27 $\frac{3}{4}$ " (70.5 cm)

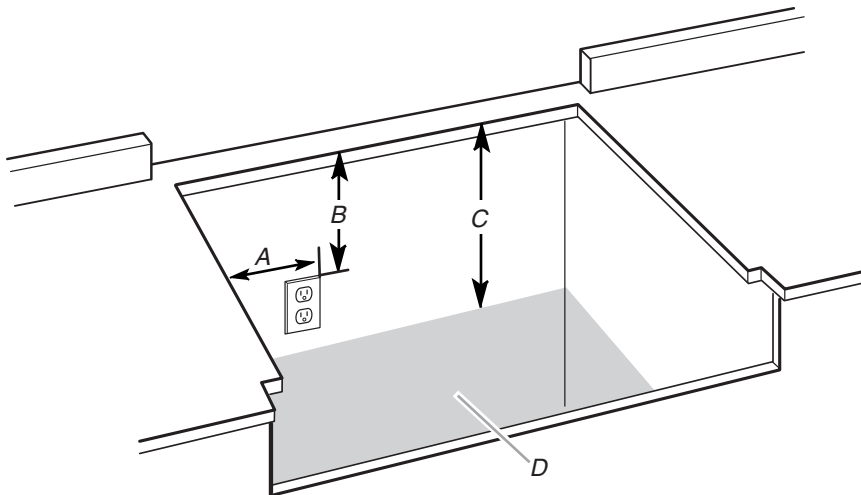
Side View of Cooktop



- A. 27 $\frac{3}{4}$ " (70.5 cm)
- B. 1 $\frac{1}{4}$ " (3.2 cm)
- C. 7 $\frac{7}{16}$ " (18.8 cm)
- D. Gas inlet is located 1 $\frac{7}{8}$ " (4.8 cm) from the back of the cooktop burner base and 4 $\frac{7}{8}$ " (12.4 cm) in from left-hand side of the cooktop burner base.
- E. 22" (55.9 cm)
- F. 3 $\frac{5}{8}$ " (9.2 cm)
- G. 1" (2.6 cm)

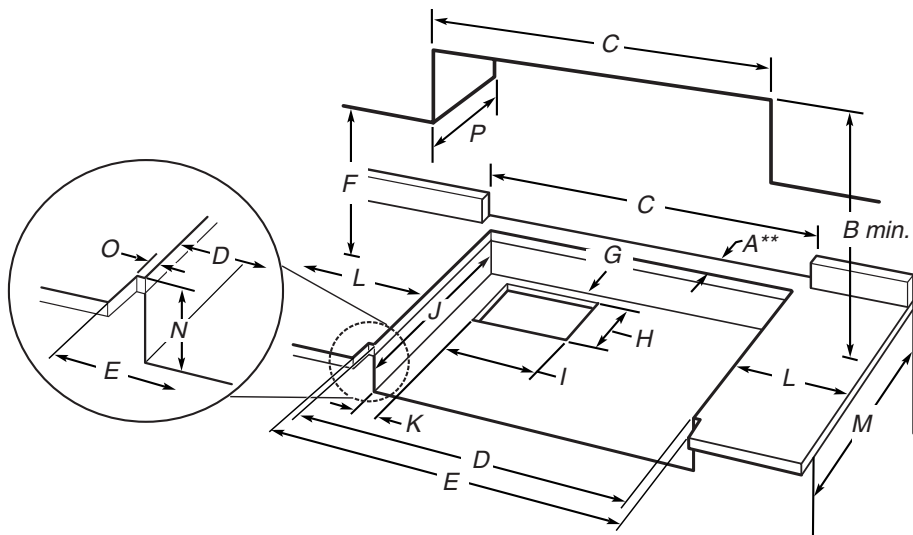
CABINET REQUIREMENTS

Gas and Electric Connection Locations



- A. Grounded 3 prong outlet should be located on left-hand side of the cutout 16" (40.6 cm) max. from enclosure sidewall
- B. 10" (25.4 cm) min. clearance from countertop to top of the outlet
- C. 14" (35.6 cm) countertop to the gas supply line
- D. Gas supply line should be located in this area on rear or side walls or the supply line can come up through the floor.

NOTE: Solid side and bottom of cutout enclosure not shown



- A. See chart.
- B. See chart.
- C. See chart.
- D. See chart.
- E. See chart.
- F. 18" (45.7 cm) min. clearance upper cabinet to countertop
- G. 3/4" (1.9 cm) back of cabinet cutout to gas opening cutout
- H. 6 7/8" (16.1 cm) gas opening cutout depth
- I. 12 1/2" (31.7 cm) gas opening cutout width
- J. 22 1/4" (56.5 cm) cabinet cutout depth
- K. 2" (5.1 cm) cabinet side to gas cutout
- L. 6" (15.2 cm) min. distance on both sides of the cooktop to the side wall or other combustible material above cooking surface
- M. 24" (61.0 cm) cabinet depth
- N. 7 1/4" (18.4 cm) cabinet depth to countertop
- O. Notch to be equal on both sides
- P. 13" (33.0 cm) upper cabinet depth

Size	Model	A** Cooktop Cutout to Back Wall	B* Cooktop to Cabinet	C Optional Backguard and Upper Cabinet Opening	D Cabinet and Countertop	E Countertop Only
30" (76.2 cm)	KGCU407	1 3/4" (4.4 cm)**	30" (76.2 cm)	30" (76.2 cm)	29 1/4" (74.3 cm)	30" (76.2 cm) or 29 7/8" (75.9 cm) for zero clearance
36" (91.4 cm)	KGCU462 KGCU463 KGCU467	1 1/2" (3.8 cm)** 1 3/4" (4.4 cm) 1 3/4" (4.4 cm)	42" (106.7 cm)	36" (91.4 cm)	35 1/4" (89.5 cm)	36" (91.4 cm) or 35 3/4" (90.8 cm) for zero clearance
48" (121.9 cm)	KGCU482 KGCU483 KGCU484	1 1/2" (3.8 cm)** 1 3/4" (4.4 cm)** 1 1/2" (3.8 cm)**	42" (106.7 cm)	48" (121.9 cm)	47 1/4" (120.0 cm)	48" (121.9 cm) or 47 7/8" (121.6 cm) for zero clearance

* **NOTES:** Dimension "B" can be reduced by 6" (15.2 cm) when bottom of wood or metal cabinet is covered by not less than 0.25" (6.4 mm) flame retardant millboard covered with not less than No. 28 MSG sheet metal, 0.015" (0.4 mm) stainless steel, 0.024" (0.6 mm) aluminum or 0.020" (0.5 mm) copper.

If installing a range hood above the cooktop, follow the range hood instructions for dimensional clearances above the cooktop surface.

** **NOTE:** If backwall is constructed of a combustible material and a backguard is not installed, a minimum clearance of dimension A + 6" (15.2 cm) is required for 48" (121.9 cm) cooktops and cooktops with a grill.