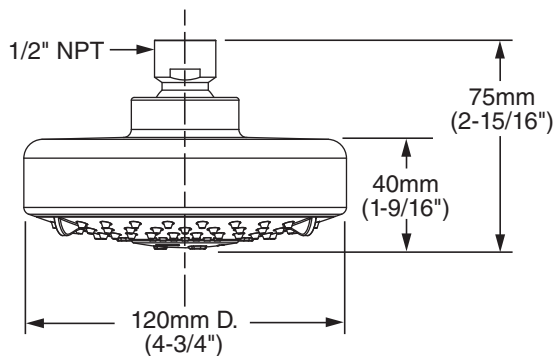




MODEL NUMBER:

- 1660.650** Multifunction Rain Showerhead Only



GENERAL DESCRIPTION:

3-Function rain showerhead. Spray pattern adjusts from Gentle Rain to Hard Rain to Massage. Includes pressure compensating flow control device. Brass ball joint. Easy clean spray nozzles. 1/2" NPT connection. 2.5gpm/9.5L/min. maximum flow rate.

PRODUCT FEATURES:

- Variety of Spray Patterns:** Allows the user to select the type of spray best suited to their needs.
- Pressure Compensating Flow Control Device:** Provides consistent flow over a wide pressure range.
- Simple Spray Pattern Adjustment:** Spray patterns can be changed with a flick of a finger.
- Easy Clean Spray Nozzles:** Easily clean lime and calcium buildup. Nozzles will not clog.

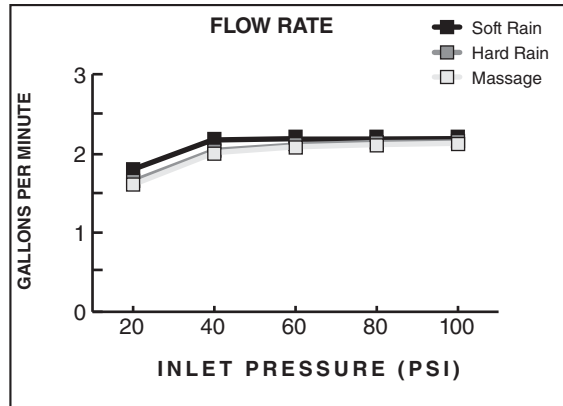
SUGGESTED SPECIFICATION

Showerhead shall have at least 3 spray patterns and brass ball joint. Showerhead shall have a pressure compensating control device. Fitting shall be American Standard Model # 1660.650.____.



CODES AND STANDARDS

These products meet or exceed the following codes and standards:

**ASME A112.18.1
CSA 125.1**



Product Number	Description	Finish Options	
		Polished Chrome	PVD Satin Nickel
		002	295
1660.650	Multifunction Rain Showerhead Only		

Showerhead Accessories	
Product Number	Description
1660.240	Standard Shower Arm and Flange 
1660.241	Modern Shower Arm and Flange 
1660.242	Square Cast Shower Arm 