



French Door Refrigerator

FGHG2366PF

23 Cu. Ft. Counter-Depth



Signature Features



Adjustable Interior Storage

Over 100 ways to organize and customize your refrigerator.



SpaceWise® Slide-Under Shelf

Easily make room for tall or large items with the new Slide-Under Shelf.



Smudge-Proof™ Stainless Steel

Resists fingerprints and smudges so it's easy to clean.



Best-in-Class Filtration¹

PureSource Ultra® Filtration is best-in-class so you get cleaner, better-tasting ice at your fingertips

Product Dimensions

| | |
|-------------------------------------|---------|
| Height (Including Hinges & Rollers) | 69-7/8" |
| Width (Doors) | 36" |
| Depth (Including Door) | 28-1/2" |

More Easy-To-Use Features

Ice Maker

Quick Ice delivers up to 37% more ice.²

Multi-Level LED Lighting

Corner-to-corner LED lighting throughout the refrigerator for better visibility.

Counter-Depth Design

Maximize your kitchen space with our counter-depth refrigerator that gives you back 5 inches of kitchen space while still offering over 100 ways to organize.

Full-Width Cool Zone™ Drawer

A large capacity Cool Zone™ Drawer extends completely and provides space to easily store anything from sheet cakes and large platters to snacks and juice boxes.

Express-Select® Controls

Easily select options with the touch of a button.

Freezer Basket with Divider

Deep freezer storage with adjustable divider keeps food organized and accessible.

Quick Freeze

Quickly freeze foods so they stay at their freshest.

Effortless™ Glide Crisper Drawers

Our humidity-controlled crisper drawers can be configured any number of ways, either side-by-side or stacked on top of each other so you can organize your refrigerator the way you want, while keeping your fruits and vegetables fresh.

Effortless™ Glide Freezer Drawers

Drawers glide out smoothly and fully extend, giving you easy access to what's inside.

ENERGY STAR®

Sabbath Mode (Star-K® Certified)



Available in:



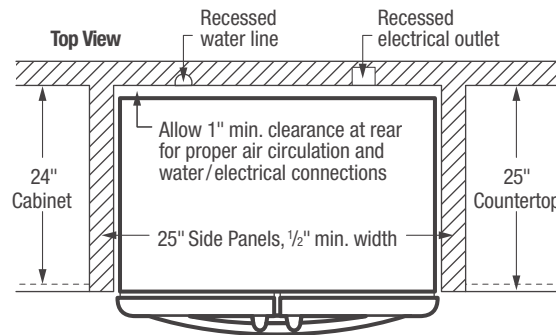
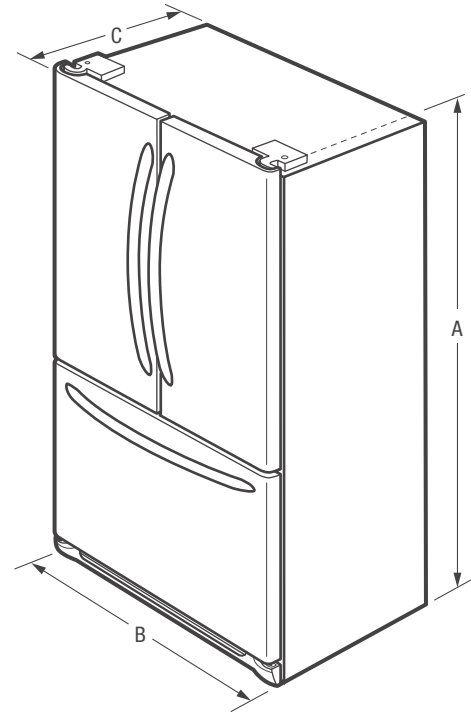
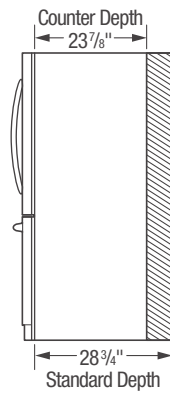
Stainless (F)

¹As compared to other consumer refrigeration water filtration systems.

²In a 24-hour period.

| Features | |
|---|------------------------------|
| Door Design | Soft-Arc Doors |
| Door Handle Design | Stainless Steel |
| Cabinet Finish | Grey |
| Door Stops/Door Closers | Yes/Yes |
| Door Hinge Covers | Hidden |
| Rollers - Front/Rear | Adjustable/Yes |
| Energy Saver Plus Technology | Yes |
| Water Filter Location | Top-Right Fresh Food Section |
| Sound Package | Quiet Pack |
| Control Features | |
| Controls | Express-Select® |
| Control Panel Location | Left Door, Inside Edge |
| Number of Control Buttons | 7 |
| Ice Option/Freeze Option | Quick Ice/Quick Freeze |
| Display On/Off Option | |
| Lock | |
| Temp/Door Ajar/Power Failure Alerts | |
| Water Filter Change Indicator Light | Yes |
| Air Filter Change Indicator Light | Yes |
| Refrigerator Features | |
| Lighting | Multi-Level LED |
| Water Filter Type | PureSource Ultra® |
| Air Filter Type | PureAir Ultra® |
| Quarter-Width Fixed Shelves | |
| Half-Width Fixed Shelves | 1 SpillSafe® Slide-Under |
| Quarter-Width Sliding Shelves | |
| Half-Width Sliding Shelves | 3 SpillSafe® |
| Cantilever Shelves | Yes |
| Store-More™ Full-Width Drawer | 1 Cool Zone™ |
| Hanging Wine Rack | 1 White |
| Hanging Can Dispenser | |
| Crisper Drawer/Humidity Controls | 2 Clear/2 |
| Dairy Compartment | 2 Clear (1 per door) |
| Store-More™ Fixed Door Bins | 2 White (1 per door) |
| 2-Liter Fixed Door Bins | |
| Gallon Adjustable Door Bins | 4 Clear |
| 2-Liter Adjustable Door Bins | |
| Dispenser Bin | |
| Non-Slip Bin Liner/Bottle Retainers | |
| Freezer Features | |
| Self-Closing Pull Out Drawer | Yes |
| Sliding Full-Width Freezer Baskets | 2 Effortless™ Glide |
| Basket Dividers | 1 (Bottom Basket) |
| Lighting | LED |
| Ice Maker | Yes |
| Certifications | |
| Sabbath Mode (Star-K® Certified) | Yes |
| ENERGY STAR® | Yes |
| Specifications | |
| Total Capacity (Cu. Ft.) | 22.37 |
| Refrigerator Capacity (Cu. Ft.) | 15.57 |
| Freezer Capacity (Cu. Ft.) | 6.8 |
| Power Supply Connection Location | Right Bottom Rear |
| Water Inlet Connection Location | Left Bottom Rear |
| Voltage Rating | 120V/60Hz/15 or 20A |
| Connected Load (kW rating) @ 120 Volts¹ | 1.02 |
| Amps @ 120 Volts | 8.5 |
| Minimum Circuit Required (Amps) | 15 |
| Shipping Weight (Approx.) | 345 Lbs. |

Standard Refrigerator Depth vs. Counter Depth



NOTE: For planning purposes only. Always consult local and national electric and plumbing codes. Refer to Product Installation Guide for detailed installation instructions on the web at frigidaire.com.



| Product Dimensions | | "Built-In Look" Cutout Dimensions | |
|---|---------------|-----------------------------------|---------|
| A - Height (Incl. Hinges & Rollers) | 69-7/8" | Height (Incl. Hinges and Rollers) | 70-1/4" |
| B - Cabinet Width/Door Width | 35-7/8" / 36" | Width | 36" |
| C - Depth (Incl. Door) | 28-1/2" | Depth | 25" |
| Depth with Door Open 90° | 42-1/2" | | |
| Depth with Drawer Fully Extended (Incl. Handle) | 45-1/2" | | |

¹For use on adequately wired 120V, dedicated circuit having 2-wire service with a separate ground wire. Appliance must be grounded for safe operation.

Accessories information available on the web at frigidaire.com

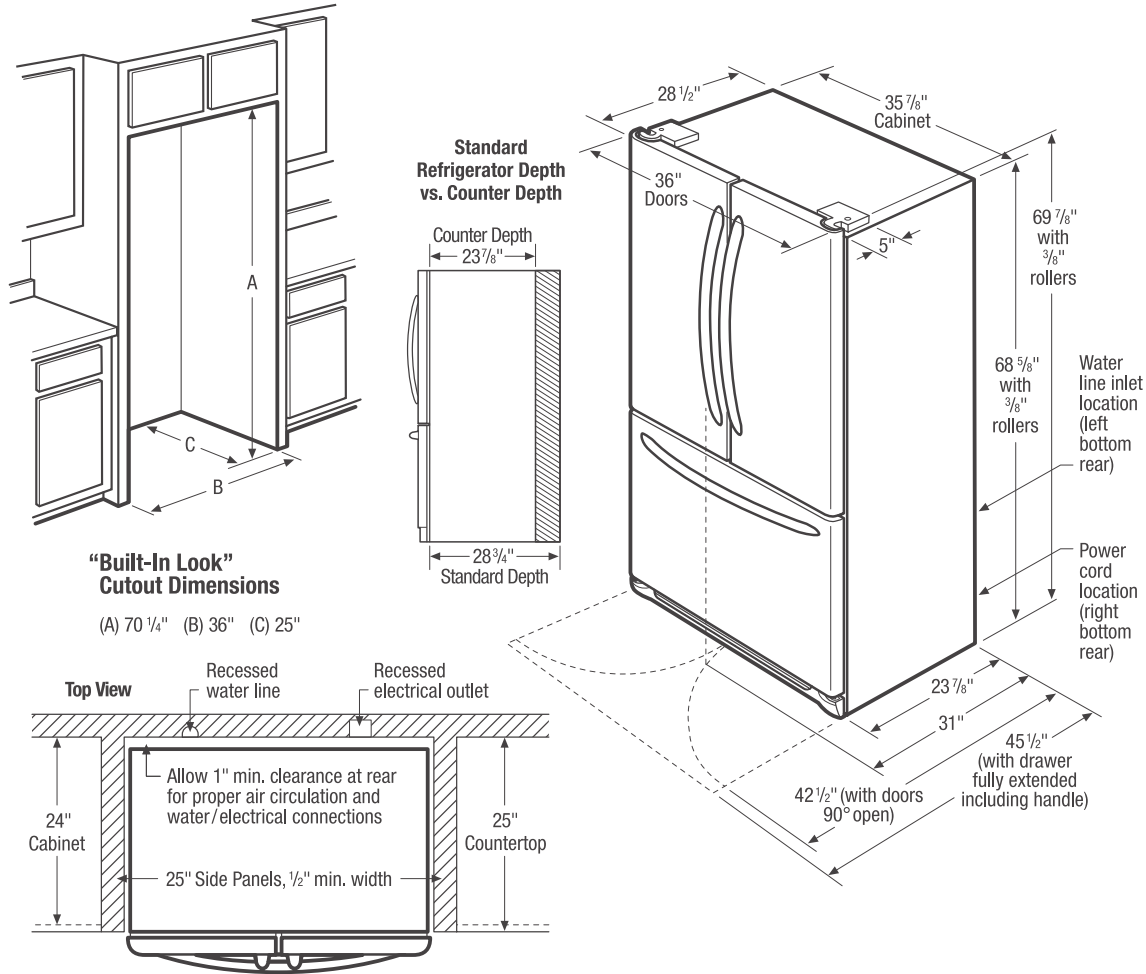
FRIGIDAIRE

USA • 10200 David Taylor Drive • Charlotte, NC 28262 • 1-800-FRIGIDAIRE • frigidaire.com
CANADA • 5855 Terry Fox Way • Mississauga, ON L5V 3E4 • 1-800-265-8352 • frigidaire.ca

FGHG2366P 10/14

© 2014 Electrolux Home Products, Inc.

Specifications subject to change.



French Door Refrigerator Specifications

- Product Shipping Weight (approx.) - 345 Lbs.
- An electrical supply with grounded three-prong receptacle is required. The power supply circuit must be installed in accordance with current edition of National Electrical Code (NFPA 70) and local codes & ordinances.
- Voltage Rating - 120V / 60 Hz / 15 or 20 Amps
- Connected Load (kW Rating) @120 Volts = 1.02 kW
- Amps @ 120 Volts = 8.5 Amps
- Always consult local and national electric & plumbing codes.
- Floor should be level surface of hard material, capable of supporting fully loaded refrigerator.
- When installing refrigerator adjacent to wall, cabinet or other appliance that extends beyond front edge of unit, 20" minimum clearance recommended to allow for optimum 120° to 180° door swing, providing complete drawer /crisper access and removal. (*Absolute 4-1/2" minimum clearance will ONLY allow for 90° door swing which will provide drawer /crisper access with restricted removal.*)
- To ensure optimum performance, avoid installing in direct sunlight or close proximity to range, dishwasher or other heat source.
- For proper ventilation, front grille MUST remain unobstructed.

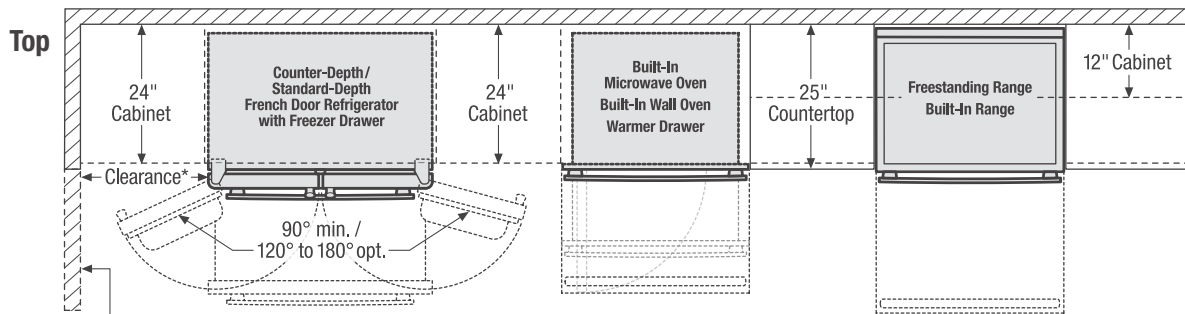
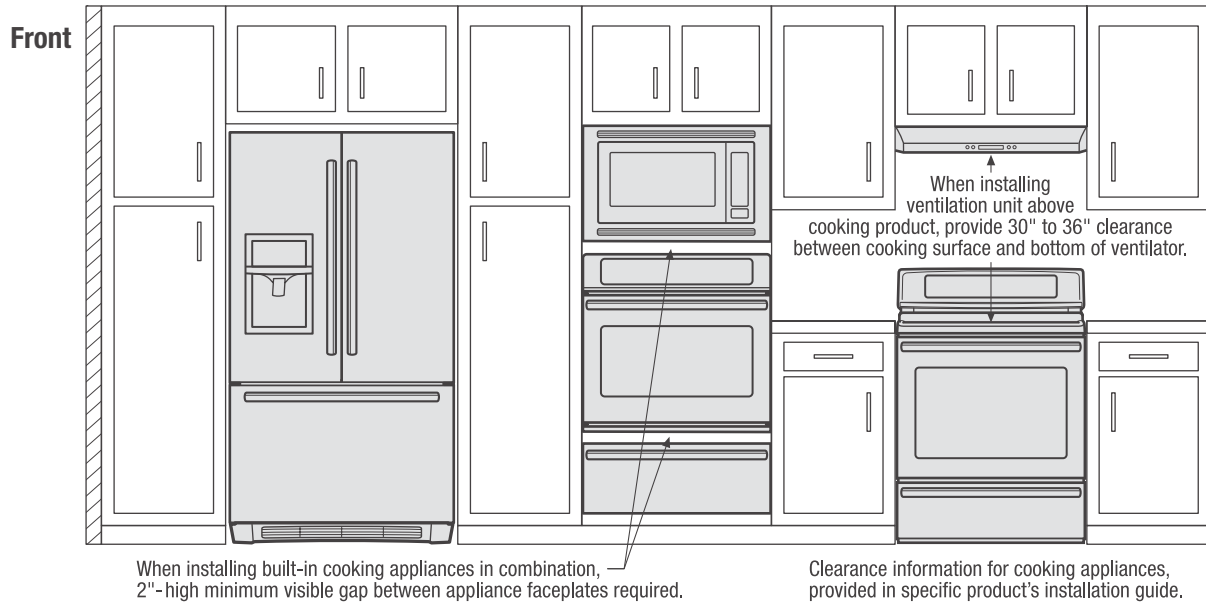
- Recess electrical outlet when possible.
- Water recess on rear wall recommended to prevent water line damage.
- Water Pressure - Cold water line must provide between 30 and 100 pounds per square inch (psi).
- Copper tubing with 1/4" O.D. recommended for water supply line with length equal to distance from rear of unit to household water supply line plus 7 additional feet. Optional Water Supply Installation Kits available.
- Adjustable front rollers to assist with door alignment.

"Built-In Look" Specifications

- Minimum opening of 70-1/4" H x 36" W x 25" D required to allow for ease of installation, proper air circulation, and plumbing /electrical connections.
- Remove all wall /floor molding prior to installation.

Note: For planning purposes only. Refer to Product Installation Guide on the web at frigidaire.com for detailed instructions.

Use these dimensions and clearance instructions for planning purposes only. For detailed installation instructions, refer to installation guide, packed with product, or on the web at frigidaire.com.



*When installing French door refrigerator adjacent to wall, cabinet or another appliance that extends beyond front edge of unit, 20" minimum clearance recommended to allow for optimum 120° to 180° door swing, providing complete drawer/crisper access and removal. (Absolute 4-1/2" minimum clearance will ONLY allow for 90° door swing which will provide limited drawer/crisper access with restricted removal.)

When installing appliance with sliding drawer, swinging or drop-down door directly across from obstructions, provide sufficient clearance for drawer extension or door swings.

