

# GTW750CPL/CSL

## GE® 5.0 DOE Cu. Ft. Stainless Steel Capacity Washer

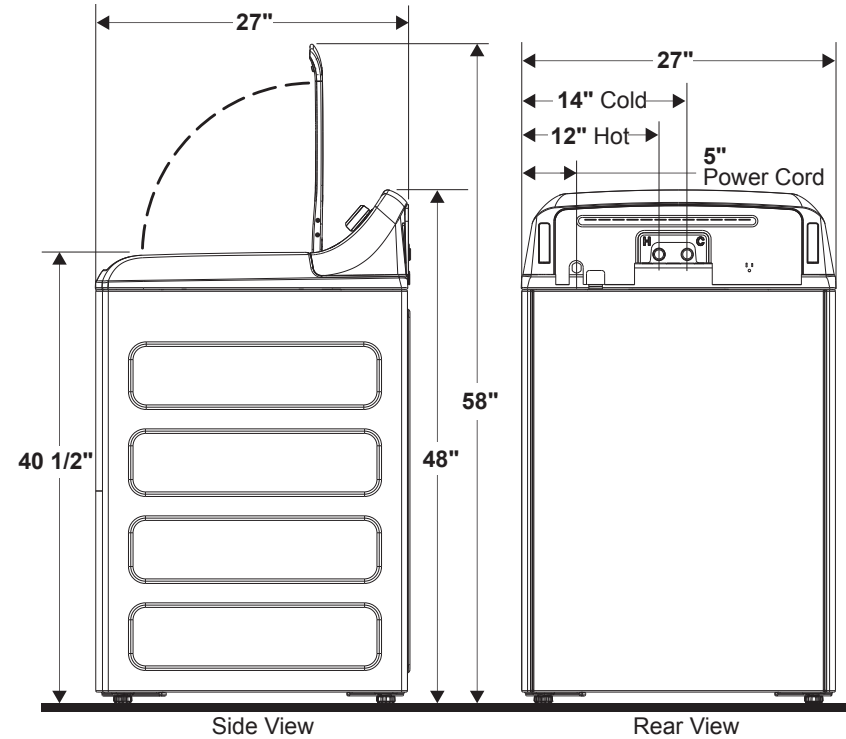
### DIMENSIONS AND INSTALLATION INFORMATION (IN INCHES)

**CIRCUIT REQUIREMENTS:** An individual, properly-grounded branch circuit, with a three-prong grounding-type receptacle, protected by a 15 or 20 amp circuit breaker or a time-delay fuse, is required.

**ELECTRICAL RATING:** 120V, 60Hz, 10A

**NOTE:** Washer wall outlet must be located within 36" of service code entry. Wall outlet must not be located behind dryer.

**INSTALLATION INFORMATION:** Before installing, consult installation instructions packed with product for current dimensional data.



For answers to your Monogram, GE Café™ Series, GE Profile™ Series or GE Appliances product questions, visit our website at [geappliances.com](http://geappliances.com) or call GE Answer Center® Service, 800.626.2000.



Specification Revised 6/17

# GTW750CPL/CSL

## GE® 5.0 DOE Cu. Ft. Stainless Steel Capacity Washer

### FEATURES AND BENEFITS

SmartDispense™ Technology - Holds up to 75 oz. of detergent and automatically dispenses the right amount for each load

Water Station - Pre-wash clothes easily with a faucet inside the washer that dispenses water and detergent

WiFi Connect - Control and monitor your laundry from anywhere with a smart device or Amazon Alexa

Deep Fill - Customize your water-fill levels with just the touch of a button. Add a little extra or fill the tub to wash the way you want

Warm Rinse - Choose a warm water rinse so every part of your laundry experience fits your preference

Sanitize with Oxi - Remove 99.9% of bacteria with a dedicated cycle that uses an Oxi additive to boost your detergent's cleaning power, while keeping fabrics looking and feeling their best

Auto Soak - Loosens stains by soaking prior to the wash cycle

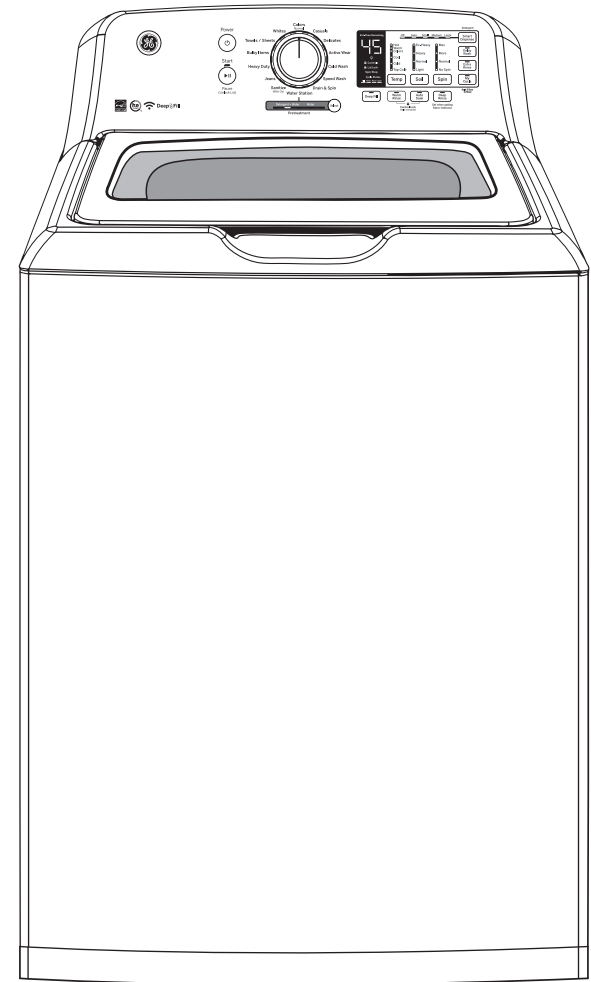
Deep Rinse - When selected, the deep rinse cycle ensure clothes are rinsed of soap residue and fabric softener

Soft-close glass lid - Engineered to close gently every time

Speed Wash - Provides a quick wash for lightly soiled items that are needed in a hurry

Model GTW750CSLWS - White with silver backsplash

Model GTW750CPLDG - Diamond Gray



For answers to your Monogram, GE Café™ Series, GE Profile™ Series or GE Appliances product questions, visit our website at [geappliances.com](http://geappliances.com) or call GE Answer Center® Service, 800.626.2000.