



# Top Mount Refrigerator

## PRODUCT MODEL NUMBERS

MRT311FFF

**Electrical:** A 115-volt, 60 Hz, AC-only, 15- or 20-amp fused, grounded electrical supply is required. It is recommended that a separate circuit serving only your refrigerator be provided. Use an outlet that cannot be turned off by a switch. Do not use an extension cord.

**Water:** A cold water supply with water pressure of between 30 and 120 psi (207 and 827 kPa) is required to operate the ice maker.

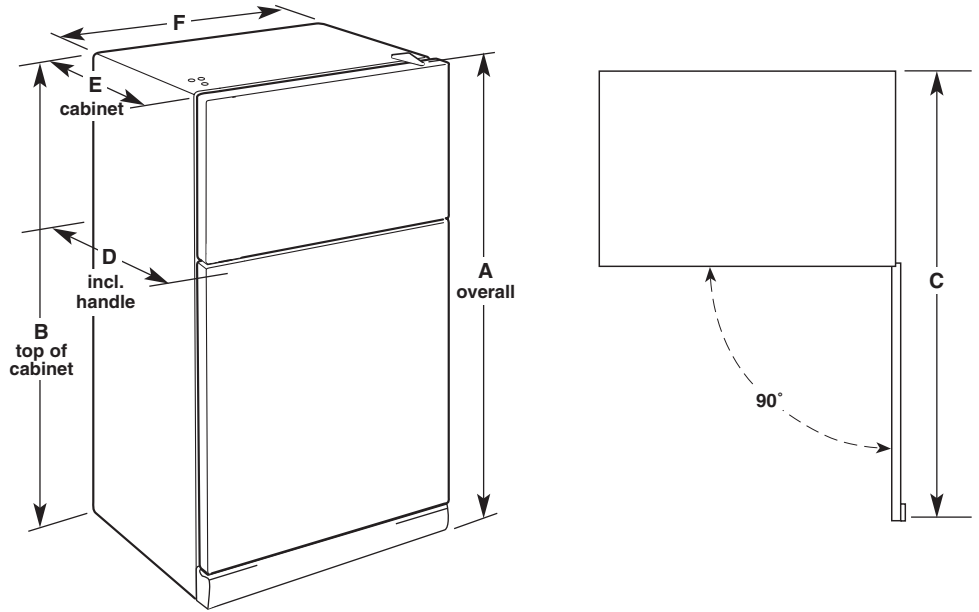
**NOTE:** If the water pressure is less than what is required, ice cubes could be hollow or irregular shaped.

If you have questions about your water pressure, call a licensed, qualified plumber.

### Reverse Osmosis Water Supply

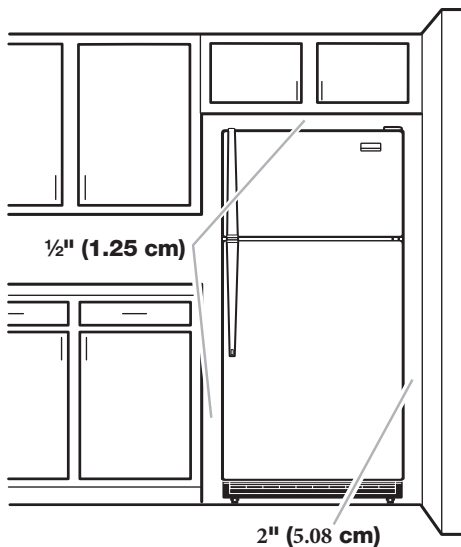
If a reverse osmosis water filtration system is connected to your cold water supply, the water pressure to the reverse osmosis system needs to be a minimum of 40 to 60 psi (276 to 414 kPa).

## PRODUCT DIMENSIONS



Model Number	Model Size	Reversible Door	Height - Overall "A"	Height - Top of Cabinet "B"	Depth - Door Open 90° "C"	Depth "D"	Depth - Cabinet Only "E"	Width - Cabinet "F"
MRT311FFF	20.5 cu.ft	Yes	66 <sup>5</sup> / <sub>16</sub> " (168.4 cm)	65 <sup>1</sup> / <sub>2</sub> " (166.4 cm)	62 <sup>1</sup> / <sub>4</sub> " (158.1 cm)	30 <sup>5</sup> / <sub>8</sub> " (77.8 cm)	28 <sup>1</sup> / <sub>2</sub> " (72.4 cm)	32 <sup>1</sup> / <sub>2</sub> " (82.6 cm)

## LOCATION REQUIREMENTS



**IMPORTANT:** This refrigerator is designed for indoor household use only.

To ensure proper ventilation for your refrigerator, allow for 1/2" (1.25 cm) of space on each side and at the top. Allow for 1" (2.54 cm) of space behind the refrigerator. If your refrigerator has an ice maker, allow extra space at the back for the water line connections. When installing your refrigerator next to a fixed wall, leave a 2" (5.08 cm) minimum space on the hinge side (some models require more) to allow the door to swing open.

**NOTE:** This refrigerator is intended for use in a location where the temperature ranges from a minimum of 55°F (13°C) to a maximum of 110°F (43°C). The preferred room temperature range for optimum performance, which reduces electricity usage and provides superior cooling, is between 60°F (15°C) and 90°F (32°C). It is recommended that you do not install the refrigerator near a heat source, such as an oven or radiator.