



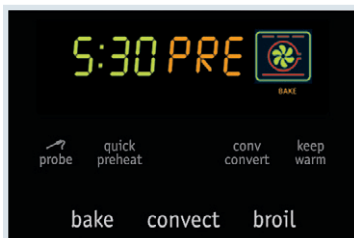
Slide-In Ranges

FGGS3065P F/W/B

30" Gas



Signature Features



Quick Preheat

Preheat in just a few minutes.¹



Quick Boil

Get meals on the table faster with quick boil — water boils faster than the traditional setting.



True Convection

Single convection fan circulates hot air throughout the oven for faster and more even multi-rack baking.



Smudge-Proof™ Stainless Steel²

Reduces fingerprints and smudges so it's easy to clean.

Product Dimensions

Height (Max.)	36-5/8"
Width	30"
Depth	28-5/16"

More Easy-To-Use Features

Effortless™ Temperature Probe with Auto Keep Warm

The Effortless™ Temperature Probe allows you to set the desired finished temperature and alerts you when that temperature has been reached. The oven then holds the desired temperature of the meat by switching to a keep warm function for better cooking results.

Effortless™ Convection

Takes the guesswork out of convection cooking — our oven automatically adjusts standard baking temperatures to convection temperatures for consistent results.

Built with American Pride

Appliances that are high-performing, more accessible, and more innovative than ever — designed, built, and engineered in the U.S.A.

A.D.A. Compliant

When properly installed, this model is A.D.A.-qualified based on the United States Access Board's A.D.A./A.B.A. Accessibility Guidelines and the Department of Justice's 2010 A.D.A. Standards for Accessible Design.



Sabbath Mode (Star-K® Certified)

Available in:

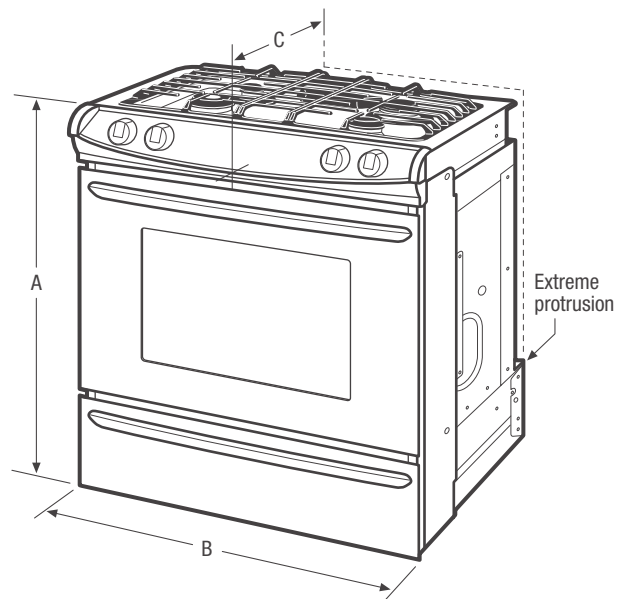


Burners	BTU
Right Front	17,000
Right Rear	5,000
Left Front	9,500
Left Rear	15,000

¹Based on single rack cooking performance, not set temperature, using Quick Preheat.

²Select model only.

Features	
Oven Control/Timing System	Express-Select®
Surface Type	Black Porcelain (F) Color-C. Porc. (W/B)
Sealed Gas Burners	Yes
Grates	Continuous Cast Iron w/Black Matte Finish
Window	Extra-Large
Exterior Door Finish	Smudge-Proof™ Stainless Steel (F), Color-Coord. (W/B)
Handle Design	Stainless Steel (F) Color-Coordinated (W/B)
Exterior Finish (Side Panels)	Black (F) Color-Coordinated (W/B)
Convection System	True Convection
Oven Cleaning System	Self-Clean
Drawer Functionality	Storage
Oven Controls	
Bake/Broil	Yes/Variable (400–550 °F)
Elementless™ Convection Conversion	Yes
Convection Bake/Broil/Roast	Yes/No/Yes
Quick Preheat	Yes
My Favorite	
Chicken Nugget Button	
Pizza Button	
Slow Cook	
Elementless™ Temperature Probe	Yes
Keep Warm	Yes
Add-a-Minute	
Delay Start	Yes/2, 3, 4 Hours
Self-Clean/Clean Options	Yes
Steam Clean	
Delay Clean	2, 3, 4 Hours
Kitchen Timer/ Timed Cook Option	Yes/Yes
Auto Oven Shut-O	6 Hours
Lower Drawer Control	
Cooktop Features	
Right Front Burner (BTU)	17,000
Right Rear Burner (BTU)	5,000
Left Front Burner (BTU)	9,500
Left Rear Burner (BTU)	15,000
Oven Features	
Capacity (Cu. Ft.)	4.5
Oven Light	2
Rack Configuration	1 Heavy Duty, 1 O set, 1 Elementless™
Baking System	Even Baking Technology
Broiling System	Vari-Broil™
Bake Burner/Broil Burner (BTU)	18,000/11,500
Drawer Rack	
Certifications	
A.D.A. Compliant ¹	Yes
Sabbath Mode (Star-K® Certified)	Yes
Specifications	
Oven Interior (H x W x D)	17-1/2" x 24-1/8" x 18-3/4"
Power Supply Connection Location	Left Bottom Rear
Gas Supply Connection Location	Right Bottom Rear
LP Gas Conversion Kit	Included
Voltage Rating	120V / 60Hz / 15A
Conn. Load (kW Rating) @ 120 Volts ²	.84 kW
Amps @ 120 Volts	15
Minimum Circuit Required (Amps)	15
Shipping Weight (Approx.)	225 Lbs.



NOTE: For planning purposes only. Always consult local and national electric and gas codes. Refer to Product Installation Guide for detailed installation instructions on the web at frigidaire.com.



Product Dimensions	
A - Height (Min./Max.)	35-7/8" / 36-5/8"
B - Width	30"
C - Depth	28-5/16"
Depth with Door Open 90°	47-9/16"

Cutout Dimensions	
Height (Min./Max.)	35-7/8" / 36-5/8"
Width (Min./Max.)*	29-15/16" / 30-1/16"
Depth (Min./Max.)**	21-3/4" / 22-1/8"

*Cutout and countertop cutout width should match.
**24" with optional backguard installed.

¹When properly installed, this model is A.D.A.-qualified based on the United States Access Board's A.D.A./A.B.A. Accessibility Guidelines and the Department of Justice's 2010 A.D.A. Standards for Accessible Design.

²For use on adequately wired 120V, dedicated circuit having 2-wire service with a separate ground wire. Appliance must be grounded for safe operation.

Accessories information available on the web at frigidaire.com

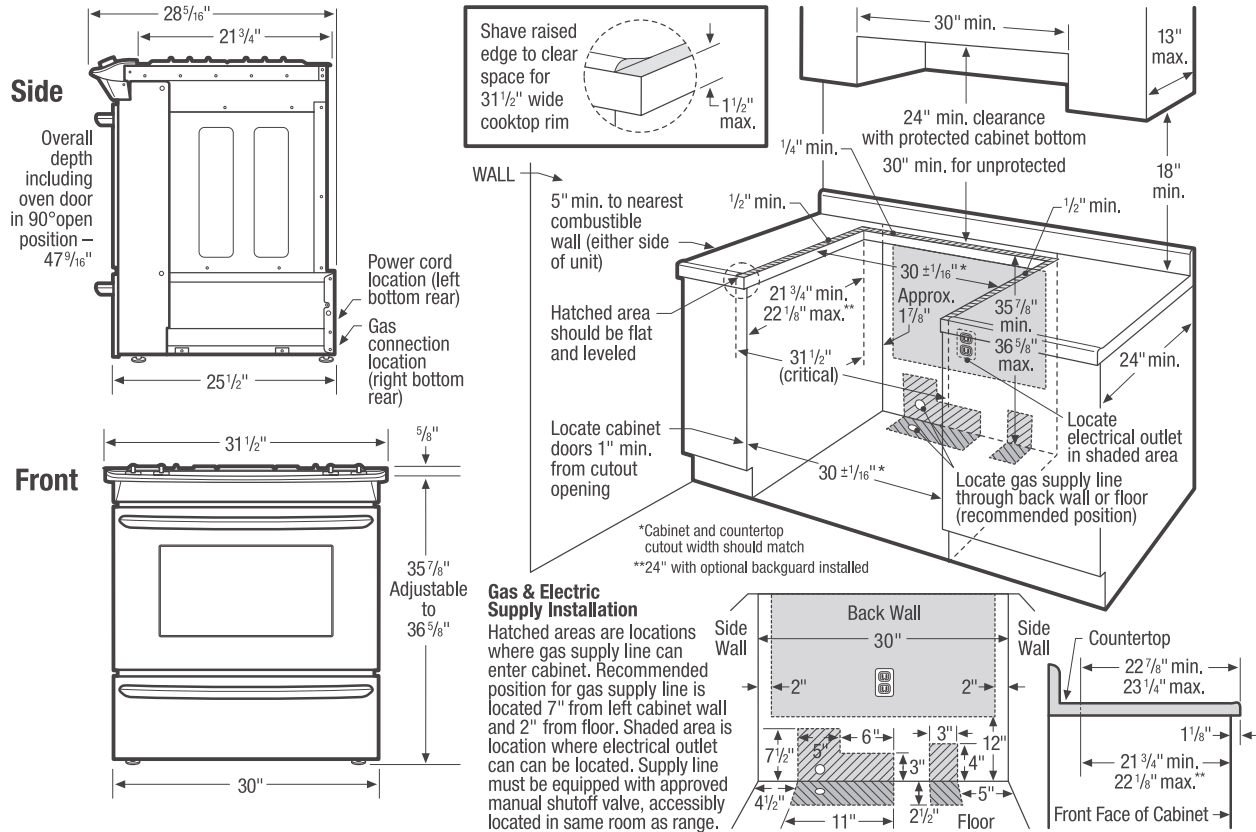
FRIGIDAIRE

USA • 10200 David Taylor Drive • Charlotte, NC 28262 • 1-800-FRIGIDAIRE • frigidaire.com
CANADA • 5855 Terry Fox Way • Mississauga, ON L5V 3E4 • 1-800-265-8352 • frigidaire.ca

FGGS3065P 10/14

© 2014 Electrolux Home Products, Inc.

Specifications subject to change.



Slide-In Range Specifications

- Product Shipping Weight (approx.) – 225 Lbs.
- Voltage Rating – 120V/60 Hz/15 Amps
- Connected Load (kW Rating) @ 120 Volts = .84 kW (For use on adequately wired 120V, dedicated circuit having 2-wire service with a separate ground wire. Appliance must be grounded for safe operation.)
- Amps @ 120V = 15 Amps
- Always consult local and national electric and gas codes.
- Make sure wall coverings around range can withstand heat generated by range.
- Linoleum or any other synthetic floor covering located beneath range, must be capable of withstanding minimum heat of 90°F above room temperature without shrinking, warping or discoloring. Insulating pad or 1/4”-thick plywood required between range and a carpeted floor.
- Do not obstruct flow of combustion air at oven vent nor around base or beneath lower front panel of range. Range requires fresh air for proper burner combustion.
- Range ships with 3/4” factory regulator.
- LP Gas Conversion Kit supplied.
- Gas supply line can enter cabinet through back wall or floor. Recommended position for gas supply line is located 7” from left cabinet wall and 2” from floor. Electrical outlet can be located anywhere on the back wall 2” from either side wall and 12” from floor. Supply line must be equipped with approved manual shutoff valve, accessibly located in same room as range.
- Countertop MUST be level in all directions and adjustable range height at least 1/16” greater than tallest cabinet height, to ensure metal rangetop flange will fit properly on countertop edge.
- When installing optional Backguard Kit, cutout depth of 21-3/4” minimum/22-1/8” maximum needs increased to 24”.
- Overhead cabinetry should not exceed a 13” maximum depth.
- Absolute minimum horizontal distance between overhead cabinets installed to either side of appliance must be no less than maximum width of appliance.

- Allow 24” minimum clearance between rangetop and bottom of cabinet when bottom of wood or metal cabinet is protected by not less than 1/4” flame-retardant millboard covered with not less than No. 28 MSG sheet steel, 0.015” stainless steel, 0.024” aluminum or 0.020” copper. Allow 30” minimum clearance when cabinet is unprotected.
- Allow 5” minimum clearance from edge of rangetop to nearest combustible wall on either side of unit.
- To reduce risk of fire when using overhead cabinetry, install range hood that projects horizontally a recommended minimum of 5” beyond bottom of cabinets.

Countertop Preparation

- Rangetop’s side flanges overlap countertop cutout edges – for detailed preparation instructions, refer to product installation guide on the web.
- Flat Square-Finish Countertops – require no preparation since rangetop’s flange lays directly on countertop edge.
 - Formed Front-Edged Countertops – require front molded edge to be shaved flat 3/4” from each front corner of opening.
 - Tile Countertops – may need trim cut back 3/4” from each front corner of opening and/or rounded edge flattened.
 - For existing cutout width greater than 30-1/16” reduce the 3/4” overlap dimension; for cutout width of 29”, replace actual side trim panels with smaller side trim panels, available with optional Side Trim Kit (refer to detailed kit installation instructions).

Note: For planning purposes only. Refer to Product Installation Guide on the web at frigidaire.com for detailed instructions.

Optional Accessories

- Rear Filler Kit: Stainless Steel – (PN# 901193-901S); White – (PN# 901193-9011), Black – (PN# 901193-9010).
- Side Panel Kit: Stainless Steel – (PN# 903074-901S), White – (PN# 903074-9011), Black – (PN# 903074-9010).
- Backguard Kit: Stainless Steel – (PN# 903046-901S), White – (PN# 903046-9011), Black – (PN# 903046-9010).
- Side Trim Kit: Stainless Steel – (PN# 903075-901S), White – (PN# 903075-9011), Black – (PN# 903075-9010).

FRIGIDAIRE

USA • 10200 David Taylor Drive • Charlotte, NC 28262 • 1-800-FRIGIDAIRE • frigidaire.com
 CANADA • 5855 Terry Fox Way • Mississauga, ON L5V 3E4 • 1-800-265-8352 • frigidaire.ca

Accessories information available on the web at frigidaire.com

Specifications subject to change.



Use these dimensions and clearance instructions for planning purposes only. For detailed installation instructions, refer to installation guide, packed with product, or on the web at frigidaire.com.

