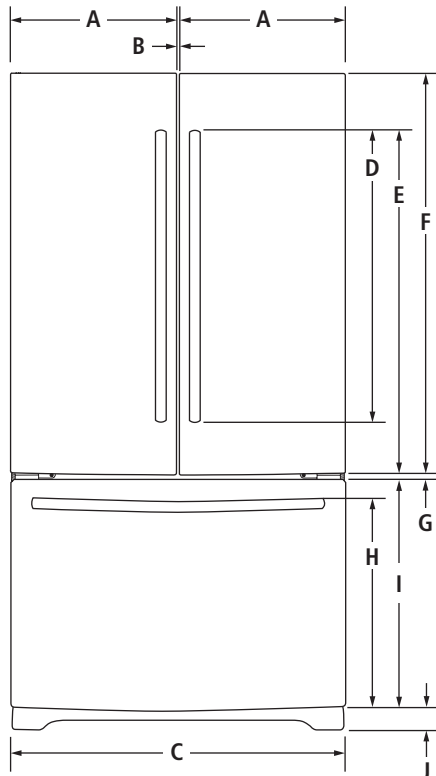


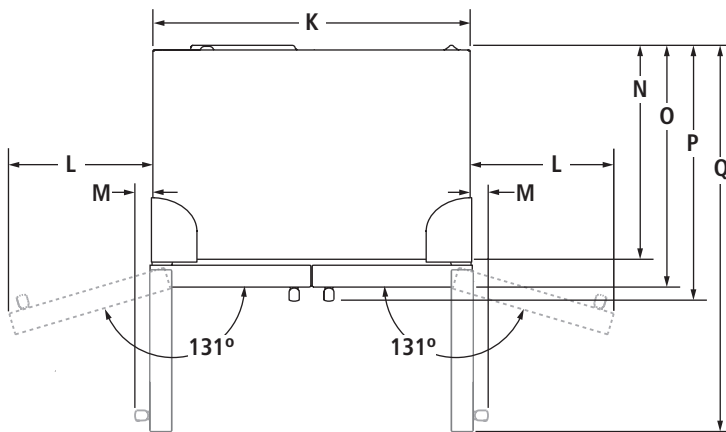
69" COUNTER-DEPTH FRENCH DOOR REFRIGERATOR WITH INTERNAL DISPENSER

JFC2089BE – 35⁵/₈" x 70¹/₈" x 29⁷/₈"

PRODUCT DIMENSIONS



FRONT VIEW



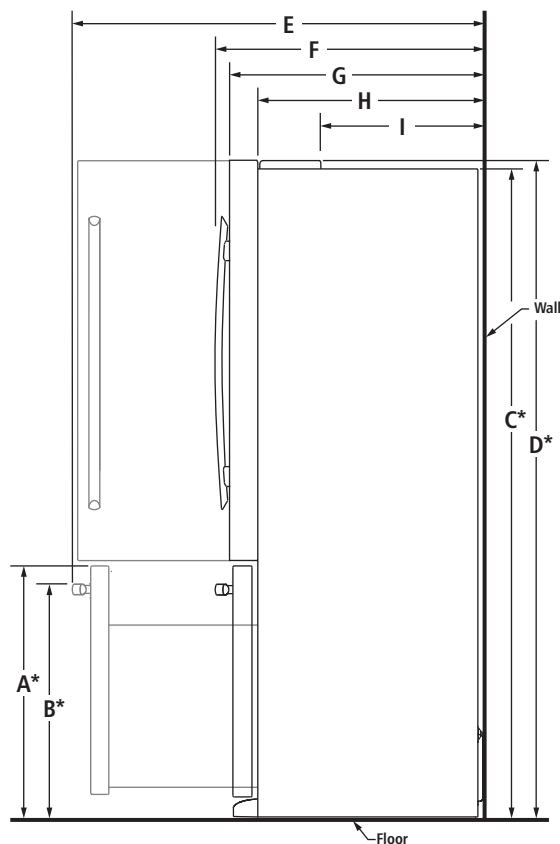
TOP VIEW

MODEL #		JFC2089BE	
		in	cm
A	Width of each door	17 ⁵ / ₈	44.8
B	Space between doors	¼	0.6
C	Overall width	35 ⁵ / ₈	90.5
D	Height of door handles		
	Pro-Style® Stainless	26	66.1
	Euro-Style Stainless	30 ⁵ / ₈	77.8
E	Height to top of door handles		
	Pro-Style® Stainless	34 ³ / ₈	87.3
	Euro-Style Stainless	36¼	92.1
F	Height of doors	42 ³ / ₈	107.6
G	Space between doors and drawer	7/8	2.2
H	Height to top of drawer handle		
	Pro-Style® Stainless	22 ⁷ / ₈	58.1
	Euro-Style Stainless	22 ⁵ / ₈	57.5
I	Height of drawer	23 ⁷ / ₈	60.6
J	Height of grille	2 ⁷ / ₈	7.3
K	Width of recessed refrigerator	35 ⁵ / ₈	90.5
L	Width from side of refrigerator to door fully open 131°	13½	34.3
M	Width from side of refrigerator to handle – door open 90°		
	Pro-Style® Stainless	¾	9.5
	Euro-Style Stainless	¾	8.3
N	Depth without doors	24	61.0
O	Depth with doors	27 ⁷ / ₈	70.8
P	Depth with handles		
	Pro-Style® Stainless	30½	77.5
	Euro-Style Stainless	29 ⁷ / ₈	75.9
Q	Depth with doors open 90°	43	109.2

69" COUNTER-DEPTH FRENCH DOOR REFRIGERATOR WITH INTERNAL DISPENSER

JFC2089BE – 35⁵/₈" x 70¹/₈" x 29⁷/₈"

DIMENSIONS AS INSTALLED



SIDE VIEW

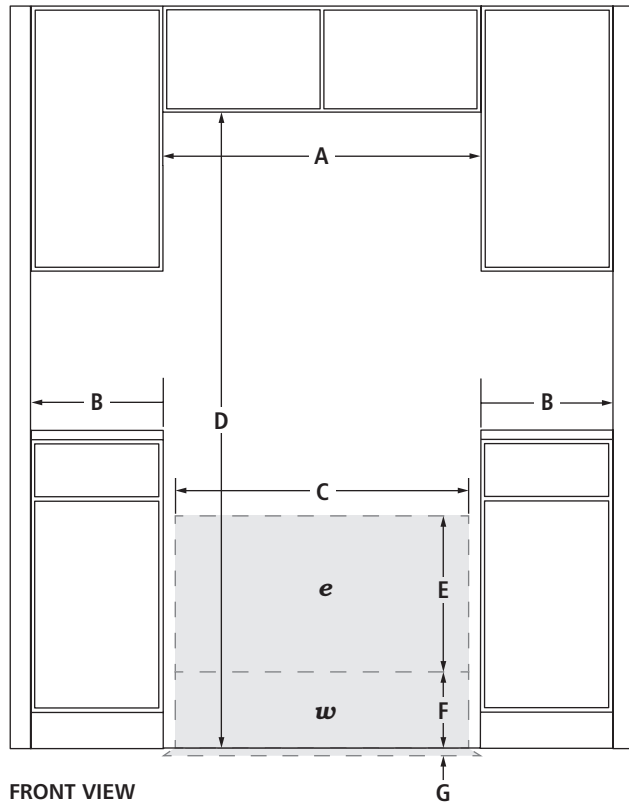
MODEL #		JFC2089BE	
		in	cm
A*	Height to top of drawer (min.)	26 ⁷ / ₈	68.3
	Height to top of drawer handle (min.)		
B*	Pro-Style® Stainless	25 ⁷ / ₈	65.7
	Euro-Style Stainless	25 ⁵ / ₈	65.1
C*	Height of recessed refrigerator (min.)	68 ⁵ / ₈	174.3
D*	Height to top of hinges (min.)	70 ¹ / ₈	178.1
E	Depth with drawer fully open including drawer handle (min.)		
	Pro-Style® Stainless	45 ⁵ / ₈	115.9
	Euro-Style Stainless	45	114.3
F	Depth with handles (min.)		
	Pro-Style® Stainless	30 ¹ / ₂	77.5
	Euro-Style Stainless	29 ⁷ / ₈	75.9
G	Depth with doors (min.)	27 ⁷ / ₈	70.8
H	Depth without doors (min.)	24	61.0
I	Depth to back of hinges (min.)	20 ¹ / ₄	51.4

*Add 3/4" (1.9 cm) to the height dimension when leveling legs are fully extended.

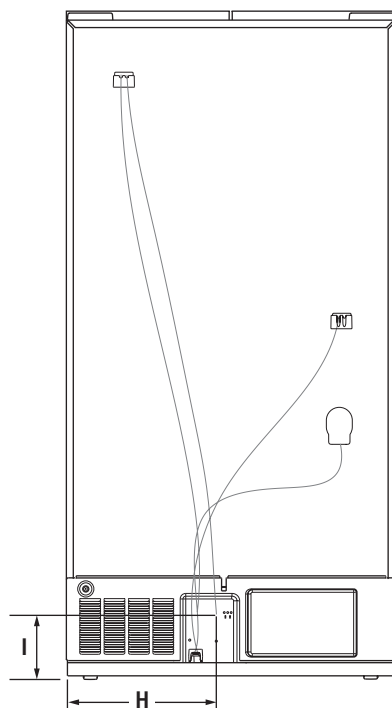
69" COUNTER-DEPTH FRENCH DOOR REFRIGERATOR WITH INTERNAL DISPENSER

JFC2089BE – 35⁵/₈" x 70¹/₈" x 29⁷/₈"

OPENING/CLEARANCE DIMENSIONS



MODEL #		JFC2089BE	
		in	cm
A	Width (min.)	36 ⁵ / ₈	93.0
B	Minimum width from side of refrigerator to fixed wall – door open 90° (full access to remove bins)	2 ¹ / ₂	6.4
	Minimum width from side of refrigerator to fixed wall – door fully open 131°	13 ¹ / ₂	34.3
C	Width of recommended electrical/water installation area	34	86.4
D	Height (min.)	70 ¹ / ₄	178.4
E	Height of recommended electrical installation area (min.-max.)	10-24	25.4-61.0
F	Height of recommended water installation area	10	25.4
G	Depth of recommended water installation area	1	2.5
H	Water line location – distance from side	24 ⁵ / ₈	62.5
I	Water line location – distance from bottom	9 ⁷ / ₈	23.8
e	Recommended electrical connection location		
w	Recommended water connection location		



ELECTRICAL REQUIREMENTS

115 volt, 60 Hz, AC only, 15- or 20-amp fused, grounded circuit is required. A dedicated circuit is recommended. Use an outlet that cannot be turned off by a switch.

Minimum length of power cord is 60" (152.0 cm). Do not use an extension cord.

WATER PRESSURE REQUIREMENTS

A cold water supply with water pressure between 30 and 120 psi (207 and 827 kPa) is required to operate the water dispenser and ice maker. Call a licensed, qualified plumber with any questions about the water pressure.

Reverse Osmosis Water Supply

IMPORTANT: The pressure of the water coming out of a reverse osmosis system going to the water inlet valve of the refrigerator needs to be between 30 and 120 psi (207 and 827 kPa).

If a reverse osmosis water filtration system is connected to the cold water supply, the water pressure to the reverse osmosis system needs to be a minimum of 40 to 60 psi (276 to 414 kPa).