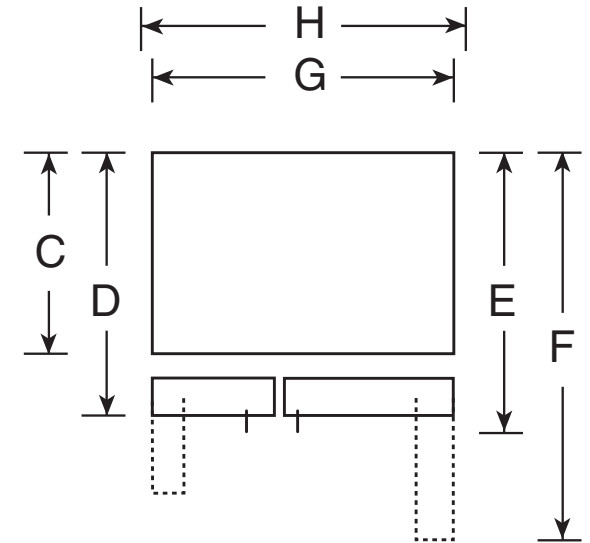
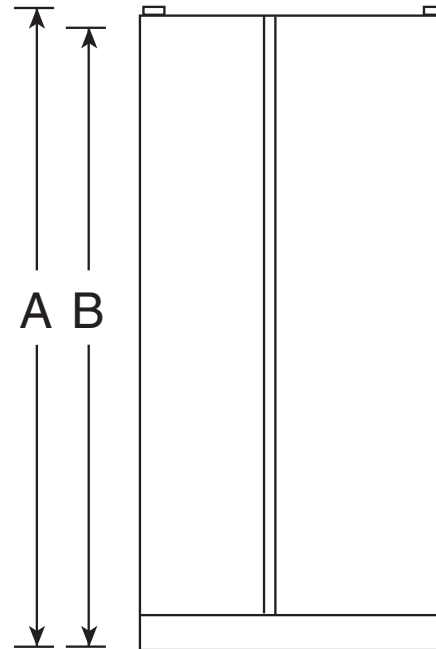


# GSE25HGH

## GE® ENERGY STAR® 25.3 Cu. Ft. Side-By-Side Refrigerator with Dispenser

### DIMENSIONS AND INSTALLATION INFORMATION (IN INCHES)

|                    |   |        |
|--------------------|---|--------|
| Overall Dimensions | Height to top of hinge (in.) A                    | 69-1/2 |
|                    | Height to top of case (in.) B                     | 69     |
|                    | Case depth without door (in.) C                   | 28-1/2 |
|                    | Case depth less door handle (in.) D               | 32-3/4 |
|                    | Case depth with door handle (in.) E               | 35-1/4 |
|                    | Depth with fresh food door open 90° (in.) F       | 50-1/2 |
|                    | Width (in.) G                                     | 35-3/4 |
|                    | Width with door open 90° inc. door handle (in.) H | 43-1/2 |
| Air                | Each side (in.)                                   | 1/8    |
|                    | Top (in.)   | 1      |
|                    | Back (in.)  | 2      |



†Water hook-up fits in back air clearance when calculating installation depth.

If installed against a wall, allow clearance of 14-3/16" on freezer side to remove bin.

Clearance required to remove fresh food full-size pan without disassembling is 18-15/16".

Allow additional space for any necessary leveling adjustments.



For answers to your Monogram, GE Café™ Series, GE Profile™ Series or GE Appliances product questions, visit our website at [geappliances.com](http://geappliances.com) or call GE Answer Center® Service, 800.626.2000.



Listed by  
Underwriters  
Laboratories



As an ENERGY STAR® partner, GE has determined that this product meets the ENERGY STAR guidelines for energy efficiency.

# GSE25HGH

## GE® ENERGY STAR® 25.3 Cu. Ft. Side-By-Side Refrigerator with Dispenser

### FEATURES AND BENEFITS

Hidden hinges – A streamlined design offers a cleaner appearance

Integrated shelf support system – Provides strong, flexible support

Adjustable slide-out, spillproof glass shelves – Raised edges help contain spills and make cleanup quick and easy

Fresh food multi-level drawers – Provide the ideal environment for storing your fruits and vegetables

Adjustable Clear Look door bins – Hold gallon containers with ease and free up valuable shelf space

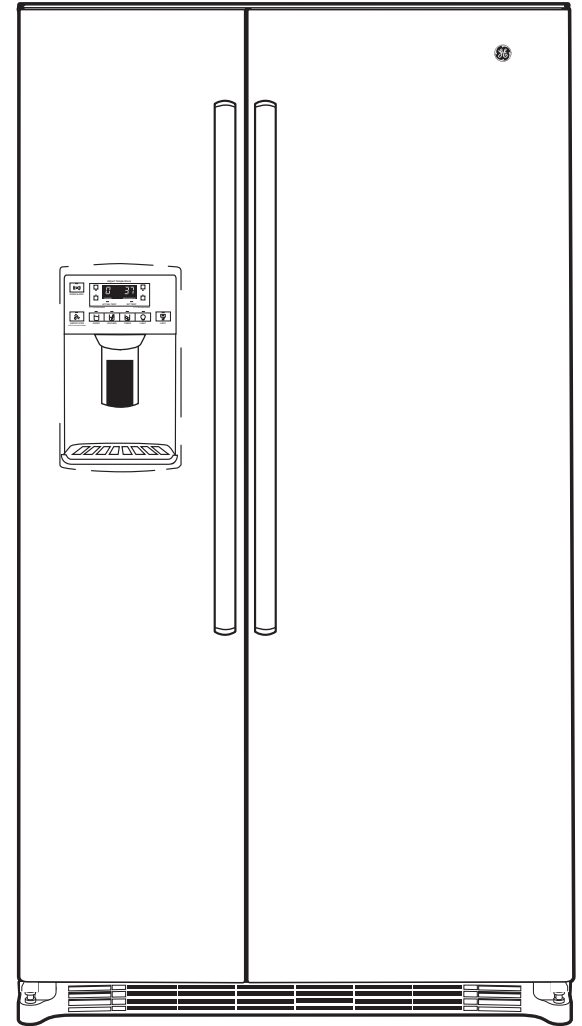
Glass freezer shelves – Enjoy a high-end appearance with secure storage for a variety of items

Arctica icemaker – A special access door puts ice within reach

Advanced water filtration uses MWF replacement filter – Reduces trace pharmaceuticals from water and ice\* (\* Removes 98% of ibuprofen, atenolol, fluoxetine, progesterone and trimethoprim. These pharmaceuticals are not necessarily in all users' water)

Model GSE25HGHBB – Black

Model GSE25HGHWW – White



As an ENERGY STAR® partner, GE has determined that this product meets the ENERGY STAR guidelines for energy efficiency.