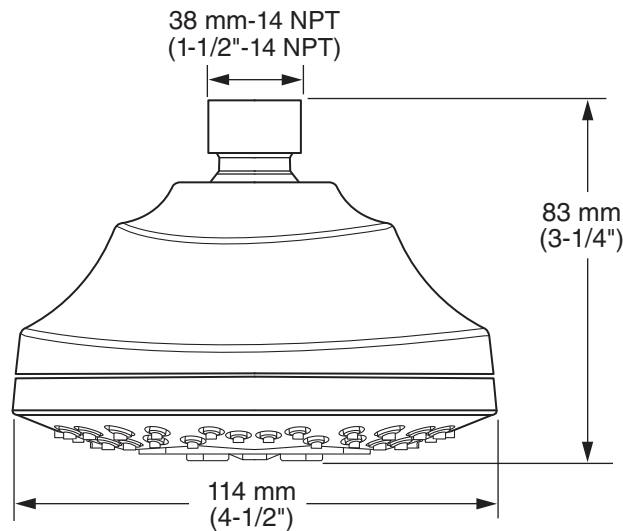




MODEL NUMBER:

□ 1660.206 HydroFocus 6-Function Showerhead



GENERAL DESCRIPTION:

Showerhead adjusts from massage to full/massage combination to full spray to hydrofocus concentrating spray to hydrofocus/full combination to pause. Permanent built-in compensating flow control device. 2.0 gpm/7.6 L/min. maximum flow rate.

PRODUCT FEATURES:

- Water Saving:** WaterSense certified.
- Pressure Compensating Flow Control Device:** Provides consistent flow over a wide pressure range.
- Variety of Spray Patterns:** Allows the user to select the type of spray best suited to their needs.

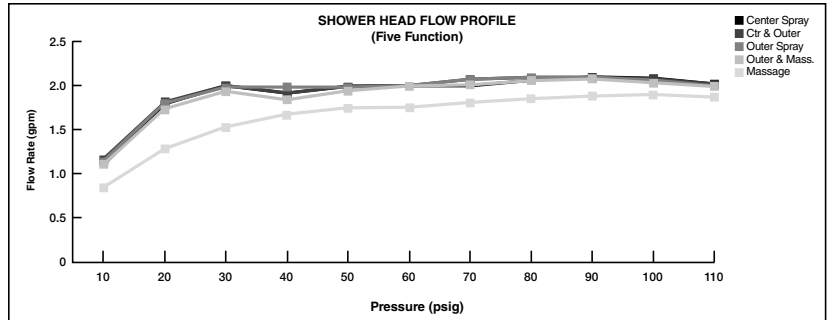
SUGGESTED SPECIFICATION

Showerhead shall have at least 5 spray patterns. Hand Shower shall have a pressure compensating flow control device. Hand Shower shall include check valve to prevent cross flow of hot and cold water. Fitting shall be American Standard Model # 1660.206._____.


CODES AND STANDARDS

These products meet or exceed the following codes and standards:

ASME A112.18.1
CSA B125.1



Product Number	Description	Finish Options	
		Polished Chrome	PVD Satin Nickel
1660.206	HydroFocus 6-Function Showerhead. 2.0 gpm Max Flow.	002	295

Showerhead Accessories	
Product Number	Description
1660.240	Standard Shower Arm and Flange 
1660.241	Modern Shower Arm and Flange 