



Owner's Manual

Wall Chimney Vent Hoods

Models: CVW7301 - 30" Glass
CVW7361 - 36" Glass

Contents

Safety Information	3	Troubleshooting Tips	8
Using the Hood		Limited Warranty	10
Controls	5	Accessories	11
Filter	6	Consumer Support	12
Care And Cleaning			
Surfaces	7		
Lights	7		

Write the model and serial numbers here:

Model # _____

Serial # _____

You can find them on a label on the inside of the hood.

Español

Para consultar una version en español de este manual de instrucciones,
visite nuestro sitio de internet cafeappliances.com.

THANK YOU FOR MAKING CAFÉ A PART OF YOUR HOME.

We take pride in the craftsmanship, innovation and design that goes into every CAFÉ product, and we think you will too. Among other things, registration of your appliance ensures that we can deliver important product information and warranty details when you need them.

Register your CAFÉ appliance now online. Helpful websites are available in the Consumer Support section of this Owner's Manual. You may also mail in the pre-printed registration card included in the packing material.

C A F É

IMPORTANT SAFETY INFORMATION

READ ALL INSTRUCTIONS BEFORE USING

⚠ WARNING TO REDUCE THE RISK OF FIRE, ELECTRIC SHOCK OR INJURY TO PERSONS, OBSERVE THE FOLLOWING:

- A. Use this unit only in the manner intended by the manufacturer. If you have questions, contact the manufacturer.
- B. Before servicing or cleaning unit, switch power off at service panel and lock the service disconnecting means to prevent power from being switched on accidentally. When the service disconnecting means cannot be locked, securely fasten a prominent warning device, such as a tag, to the service panel.
- C. Do not use this unit with any solid-state speed control device.
- D. This unit must be grounded.

⚠ CAUTION FOR GENERAL VENTILATING USE ONLY. DO NOT USE TO EXHAUST HAZARDOUS OR EXPLOSIVE MATERIALS AND VAPORS.

⚠ CAUTION TO REDUCE RISK OF FIRE AND TO PROPERLY EXHAUST AIR, BE SURE TO DUCT AIR OUTSIDE. DO NOT VENT EXHAUST AIR INTO SPACES WITHIN WALLS OR CEILINGS OR INTO ATTICS, CRAWL SPACES OR GARAGES.

⚠ WARNING TO REDUCE THE RISK OF INJURY TO PERSONS IN THE EVENT OF A RANGE TOP GREASE FIRE, OBSERVE THE FOLLOWING*:

- A. SMOTHER FLAMES with a close-fitting lid, cookie sheet or metal tray, then turn off the burner. BE CAREFUL TO PREVENT BURNS. If the flames do not go out immediately, EVACUATE AND CALL THE FIRE DEPARTMENT.
- B. NEVER PICK UP A FLAMING PAN—You may be burned.
- C. DO NOT USE WATER, including wet dishcloths or towels—a violent steam explosion will result.
- D. Use an extinguisher ONLY if:
 1. You know you have a Class ABC extinguisher, and you already know how to operate it.
 2. The fire is small and contained in the area where it started.
 3. The fire department is being called.
 4. You can fight the fire with your back to an exit.

*Based on "[Kitchen Fire Safety](#)" published by NFPA.

READ AND SAVE THESE INSTRUCTIONS

IMPORTANT SAFETY INFORMATION

READ ALL INSTRUCTIONS BEFORE USING

▲WARNING TO REDUCE THE RISK OF A RANGE TOP GREASE FIRE:

- A. Never leave surface units unattended at high settings. Boilovers cause smoking and greasy spillovers that may ignite. Heat oils slowly on medium settings.
- B. Always turn hood ON when cooking at high heat or when flambéing food (i.e. Crepes Suzette, Cherries Jubilee, Peppercorn Beef Flambé).
- C. Clean ventilating fans frequently. Grease should not be allowed to accumulate on fan or filter.
- D. Use proper pan size. Always use cookware appropriate for the size of the surface element.

▲WARNING TO REDUCE THE RISK OF FIRE, ELECTRIC SHOCK OR INJURY TO PERSONS, OBSERVE THE FOLLOWING:

- A. Installation work and electrical wiring must be done by qualified person(s) in accordance with all applicable codes and standards, including fire-rated construction.
- B. Sufficient air is needed for proper combustion and exhausting of gases through the flue (chimney) of fuel burning equipment to prevent back drafting. Follow the heating equipment manufacturer's guidelines and safety standards such as those published by the National Fire Protection Association (NFPA), the American Society for Heating, Refrigeration and Air Conditioning Engineers (ASHRAE) and the local code authorities.

- C. When cutting or drilling into wall or ceiling, do not damage electrical wiring and other hidden utilities.
- D. Ducted fans must always be vented to the outdoors.
- E. When applicable, install any makeup (replacement) air system in accordance with local building code requirements. Visit cafeappliances.com for available makeup air solutions.
- F. Turn off breaker to adjacent rooms while working.

▲WARNING TO REDUCE THE RISK OF FIRE, USE ONLY METAL DUCTWORK.

- Do not attempt to repair or replace any part of your hood unless it is specifically recommended in this manual. All other servicing should be referred to a qualified technician.

How to Remove Protective Shipping Film and Packaging Tape

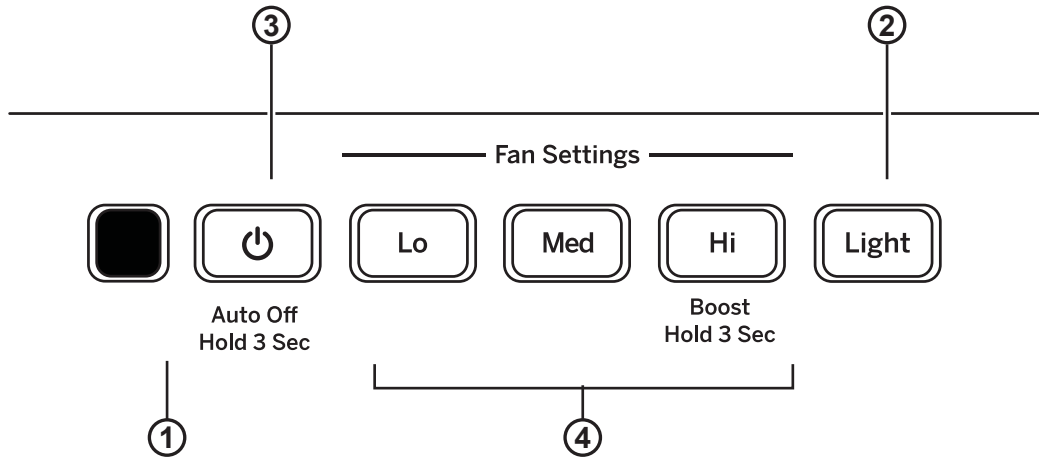
Carefully grasp a corner of the protective shipping film with your fingers and slowly peel it from the appliance surface. Do not use any sharp items to remove the film. Remove all of the film before using the appliance for the first time.

To assure no damage is done to the finish of the product, the safest way to remove the adhesive from packaging tape on new appliances is an application of a household liquid dishwashing detergent. Apply with a soft cloth and allow to soak. **NOTE:** If surface is still not clean, see page 8 for more cleaning options.

NOTE: The adhesive must be removed from all parts.

READ AND SAVE THESE INSTRUCTIONS

Controls



- 1. Rangehood Control Panel:** The control panel is located on the front of the canopy. The position and function of each control button are noted below.
- 2. Light Button:** On/Night/Off switch for the halogen lights. Press the **LIGHT** button to turn the lights on, again to set the lights to night setting, and again to turn off.
- 3. Fan Off Button:** Off switch for the fan. The fan can be operated by pressing any of the fan setting buttons. Hold for 2 seconds to activate auto off after 15 minutes.
- 4. Fan Settings Buttons:** Speed control for fan. Press the switch **Lo** for LOW speed, **Med** for MEDIUM speed and **Hi** for HIGH speed. Hold down the **Hi** button for 2 seconds to activate the BOOST SPEED that will run for 10 minutes.

Filters

Be sure the circuit breaker is off and all surfaces are cool before cleaning or servicing any part of the vent hood.

Metal Grease Filter

The metal filter traps grease released by foods from cooking.

The filters must ALWAYS be in place when the hood is in use. The grease filters are dishwasher-safe and should be cleaned every 6 months, or as needed.

To remove:

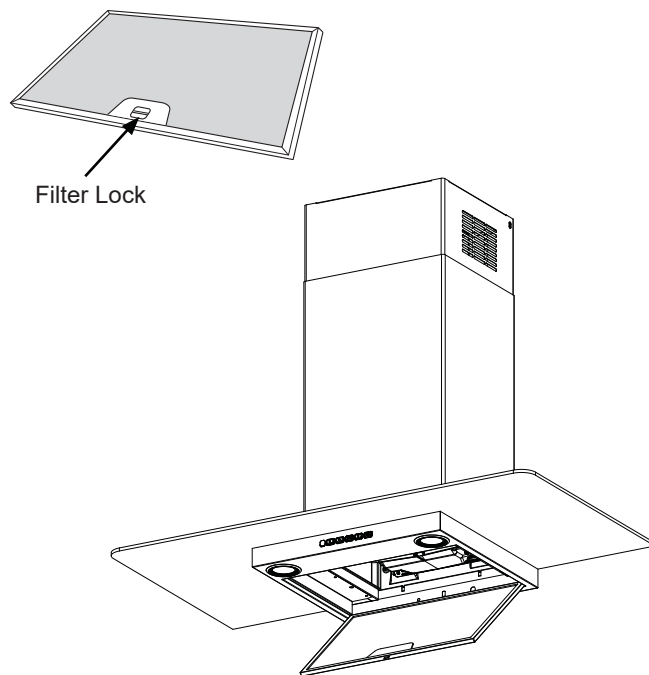
Pull downward on the filter lock to release the filter.

To replace:

Fit the tabs at the bottom of the filter behind the ledge of the filter opening. Lift up the front side of the filter, push downward on the filter lock, and push gently until the filter is in place. Release the filter lock to secure the filter in place.

To clean, swish the filter in hot soapy water and rinse in clean water or wash it in the dishwasher. Do not use abrasive cleansers.

NOTE: Some discoloration may occur in the dishwasher.



For Recirculation Installation Only

Charcoal Filter (Not Included)

If the model is not vented to the outside, the air needs to be recirculated through a disposable charcoal filter that helps remove smoke and odors.

NOTE: DO NOT rinse, or put charcoal filter in an automatic dishwasher.

The charcoal filter cannot be cleaned. It must be replaced. It is recommended that the charcoal filter be replaced every 6-12 months or if it is noticeably dirty or discolored.

Order Charcoal Filter JXCF71

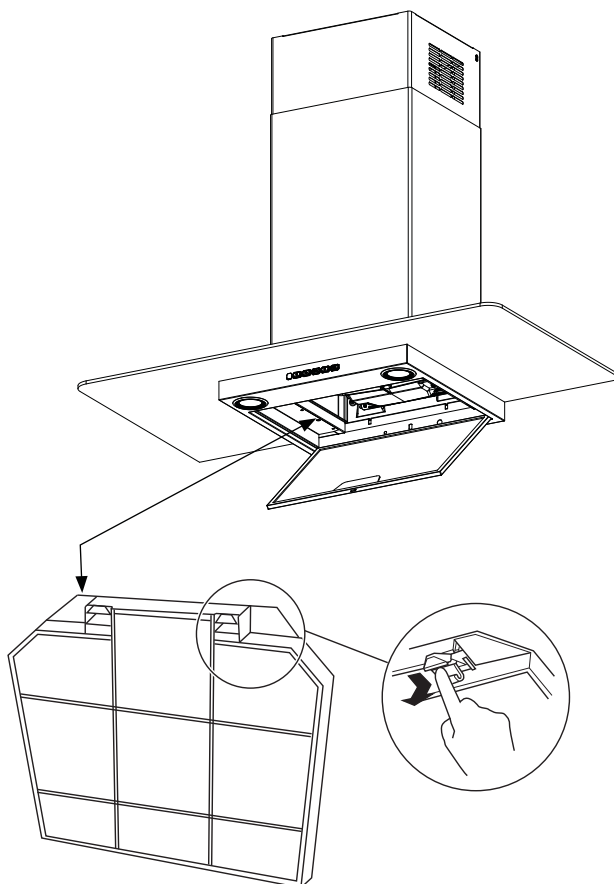
To inquire about purchasing replacement charcoal filters or to find the location of a dealer nearest you, visit cafeappliances.com/parts.

To install:

1. Insert the bottom tabs of the charcoal filter into the two slots at the back of the unit. Pivot filter upward into place while depressing the locking tabs.
2. Replace the metal filter—see Metal grease filter section.

To remove:

1. Remove the metal filter—see Metal grease filter section.
2. Press on the two tabs on the charcoal filter to disengage the lock and pivot to remove.



Surfaces

Stainless Steel Surfaces (on some models)

Do not use a steel wool pad; it will scratch the surface.

To clean the stainless steel surface, use warm sudsy water or a stainless steel cleaner or polish. Always wipe the surface in the direction of the brush line. Follow the cleaner instructions for cleaning the stainless steel surface. Cleaners with oxalic acid such as **Bar Keepers Friend Soft Cleanser™** will remove surface rust, tarnish, and small blemishes. Use only a liquid cleanser free of grit and rub in the direction of the brush lines with a damp soft sponge.

To inquire about purchasing stainless steel appliance cleaner or polish, or to find the location of a dealer nearest you, visit cafeappliances.com/parts.

Painted Surfaces (on some models)

Do not use a steel wool pads or other abrasive cleaners; they will scratch the surface.

Clean grease-laden surfaces of the hood frequently. To clean the hood surface, use a hot, damp cloth with a mild detergent suitable for painted surfaces. About one tablespoon of ammonia may be added to the water. Use a clean, hot, damp cloth to remove soap. Dry with a dry, clean cloth.

NOTE: When cleaning, take care not to come in contact with filters and other surfaces.

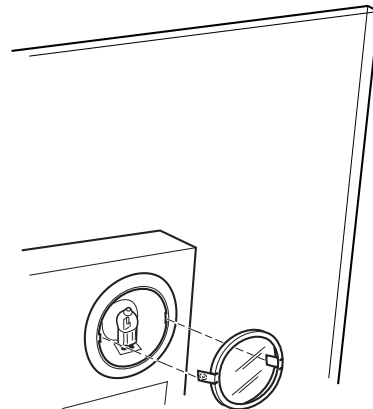
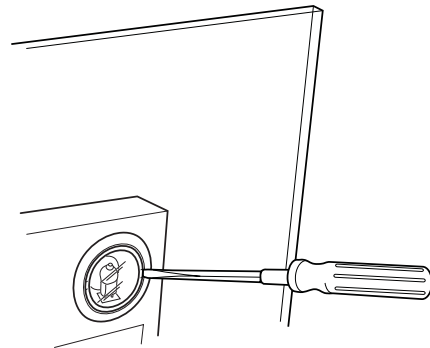
⚠ CAUTION When cleaning the hood surfaces, be certain that you do not touch the light with moist hands or cloth. A warm or hot light may break if touched with a moist surface. Always let the light cool completely before cleaning around it.

Lights

⚠ CAUTION Allow lights to cool before touching.

To change the lights:

1. Before attempting to replace the lights, make sure that the light switch is turned off.
2. Wear gloves. Do not touch the light with your bare fingers. Skin oils can cause early light failure. Wear clean gloves or use a paper towel to handle the light.
3. Using a flathead screwdriver, unclip the metal trim ring from the lighting support.
4. Remove the light by pulling towards the front of the hood. Replace it with a new G4 20W Clear Halogen Capsule light by inserting the two stakes into the holes and pushing towards the back of the hood to secure the light.
5. Reinsert the metal trim ring by lining up the two side holes on the lighting support with the two tabs on the trim ring, and push upward.



Troubleshooting tips ... Before you schedule service

Save time and money! Review the charts on the following pages first and you may not need to schedule service.

Problem	Possible Cause	What To Do
Fan/Light does not operate when either button is pressed	A house fuse may be blown or a circuit breaker tripped.	Replace fuse or reset circuit breaker.
Fan does not operate when fan Lo, Med, High buttons are pressed	The blower connector is loose or not plugged into its mating connector.	Disconnect power to the unit. Remove the filters and look up at the blower. If the blower connector plug is loose or you see the connector dangling, the installer failed to plug it in securely. See the mini manual for the plug location and how to plug in the connector.
Loud or abnormal airflow noise	Wrong duct size used in installation.	This hood requires 6" ducting to perform optimally. Using smaller duct pipe will cause reduced venting. Minimize the duct run length and number of transitions and elbows. CAFÉ service technicians cannot correct this issue if installed improperly.
Fan fails to circulate air or moves air slower than normal and/or fan is making loud or abnormal airflow noise	Obstructions in duct work.	Make sure nothing is blocking the vent. Make sure your wall or roof cap has a blade or door.
	Damper blade on wall or roof cap may not be open.	Make sure damper swings freely. Damper blades may flip over and will not fully open when this happens. Adjust to original position.
	Metal grease filter and charcoal filter (if present) may be dirty.	Clean the metal grease filter and replace charcoal filter (if present). See Care and Cleaning of the Vent Hood.
	Insufficient makeup (replacement) air	Sufficient makeup (replacement) air is required for exhausting appliances to operate to rating. Check with local building codes, which may require or strongly advise the use of makeup air. Visit cafeappliances.com for available makeup air solutions.
The hood controls are not operating correctly	Control logic confused.	Disconnect power to the hood by resetting the circuit breaker. Wait 30 seconds to allow controls to reset.
Early light failure	Replacing lights with bare hands.	Replace lights while wearing gloves to keep skin oils off lights.
	Light wattage is too high.	Replace with correct wattage.

Notes

CAFÉ Vented Range Hood Limited Warranty

cafeappliances.com

All warranty service is provided by our Factory Service Centers, or an authorized service technician. To schedule service online, visit us at cafeappliances.com/service. Please have your serial number and your model number available when scheduling service.

Servicing your appliance may require the use of the onboard data port for diagnostics. This gives a CAFÉ factory service technician the ability to quickly diagnose any issues with your appliance and helps CAFÉ improve its products by providing CAFÉ with information on your appliance. If you do not want your appliance data to be sent to CAFÉ, please advise your technician not to submit the data to CAFÉ at the time of service.

For the period of	CAFÉ will replace
One year From the date of the original purchase	Any part of the cooking product which fails due to a defect in materials or workmanship. During this limited one-year warranty , CAFÉ will provide, free of charge , all labor and related service costs to replace the defective part.

What CAFÉ will not cover:

- Service trips to your home to teach you how to use the product.
- Improper installation, delivery or maintenance.
- Failure of the product if it is abused, misused, modified or used for other than the intended purpose or used commercially.
- Replacement of house fuses or resetting of circuit breakers.
- Damage to the product caused by accident, fire, floods or acts of God.
- Incidental or consequential damage caused by possible defects with this appliance.
- Damage caused after delivery.
- Product not accessible to provide required service.
- Service to repair or replace light bulbs, except for LED lamps.

EXCLUSION OF IMPLIED WARRANTIES

Your sole and exclusive remedy is product repair as provided in this Limited Warranty. Any implied warranties, including the implied warranties of merchantability or fitness for a particular purpose, are limited to one year or the shortest period allowed by law.

Staple your receipt here. Proof of the original purchase date is needed to obtain service under the warranty.

This limited warranty is extended to the original purchaser and any succeeding owner for products purchased for home use within the USA. If the product is located in an area where service by a CAFÉ Authorized Servicer is not available, you may be responsible for a trip charge or you may be required to bring the product to an Authorized CAFÉ Service location for service. In Alaska, the limited warranty excludes the cost of shipping or service calls to your home. Some states do not allow the exclusion or limitation of incidental or consequential damages. This limited warranty gives you specific legal rights, and you may also have other rights which vary from state to state. To know what your legal rights are, consult your local or state consumer affairs office or your state's Attorney General.

Warrantor: GE Appliances, a Haier company

Louisville, KY 40225

Extended Warranties: Purchase a CAFÉ extended warranty and learn about special discounts that are available while your warranty is still in effect. You can purchase it online anytime at

cafeappliances.com/extended-warranty

CAFÉ Service will still be there after your warranty expires.

Accessories

Looking For Something More?

CAFÉ offers a variety of accessories to improve your cooking and maintenance experiences!

Refer to the Consumer Support page for website information.

The following products and more are available:

Parts

Charcoal Filter

High Ceiling Duct Cover Kit

Remote Control

Replacement Lights

Cleaning Supplies

CitruShine™ Stainless Steel Wipes

CERAMA BRYTE® Stainless Steel Appliance Cleaner

Bar Keepers Friend Soft Cleanser™

Consumer Support

CAFÉ Website

Have a question or need assistance with your appliance? Try the CAFÉ website 24 hours a day, any day of the year! You can also shop for more great CAFÉ products and take advantage of all our on-line support services designed for your convenience. In the US: cafeappliances.com

Register Your Appliance

Register your new appliance on-line at your convenience! Timely product registration will allow for enhanced communication and prompt service under the terms of your warranty, should the need arise. You may also mail in the pre-printed registration card included in the packing material. In the US: cafeappliances.com/register

Schedule Service

Expert CAFÉ repair service is only one step away from your door. Get on-line and schedule your service at your convenience any day of the year. In the US: cafeappliances.com/service

Extended Warranties

Purchase a CAFÉ extended warranty and learn about special discounts that are available while your warranty is still in effect. You can purchase it on-line anytime. CAFÉ Service will still be there after your warranty expires. In the US: cafeappliances.com/extended-warranty

Remote Connectivity

For assistance with wireless network connectivity (for models with remote enable), visit our website at cafeappliances.com/connect

Parts and Accessories

Individuals qualified to service their own appliances can have parts or accessories sent directly to their homes (VISA, MasterCard and Discover cards are accepted). Order on-line today 24 hours every day. In the US: cafeappliances.com/parts

Instructions contained in this manual cover procedures to be performed by any user. Other servicing generally should be referred to qualified service personnel. Caution must be exercised, since improper servicing may cause unsafe operation.

Contact Us

If you are not satisfied with the service you receive from CAFÉ, contact us on our website with all the details including your phone number, or write to:

In the US: General Manager, Customer Relations | CAFÉ Appliances, Appliance Park | Louisville, KY 40225
cafeappliances.com/contact



Manual del Propietario

Campanas de Ventilación para Chimeneas de pared

Modelos: CVW7301 - 30" Vidrio
CVW7361 - 36" Vidrio

Contenido

Información De Seguridad	3	Consejos para la Solución de Problemas	8
Uso de la Campana		Garantía Limitada	10
Controles	5	Accesorios	11
Filtros	6	Soporte para el Consumidor	12
Cuidado y Limpieza			
Superficies	7		
Luces	7		

Escriba los números de modelo y de serie aquí:

Nº de Modelo _____

Nº de Serie _____

Los puede encontrar en una etiqueta en la pared interna de la campana.

GRACIAS POR HACER QUE CAFÉ SEA PARTE DE SU HOGAR.

Sentimos orgullo por el nivel de arte, innovación y diseño de cada uno de los electrodomésticos de CAFÉ, y creemos que usted también. Entre otras cosas, el registro de su electrodoméstico asegura que podamos entregarle información importante del producto y detalles de la garantía cuando los necesite.

Registre su electrodoméstico CAFÉ ahora a través de Internet. Sitios Web útiles están disponibles en la sección de Soporte para el Consumidor de este Manual del Propietario. También puede enviar una carta en la tarjeta de inscripción preimpresa que se incluye con el material embalado.

C A F É

INFORMACIÓN IMPORTANTE DE SEGURIDAD

LEA TODAS LAS INSTRUCCIONES ANTES DE USAR

⚠ADVERTENCIA PARA REDUCIR EL RIESGO DE INCENDIO, DESCARGA ELÉCTRICA O LESIONES A PERSONAS, CUMPLA CON LOS SIGUIENTES PUNTOS:

- A. Utilice esta unidad sólo de la manera concebida por el fabricante. Si tiene alguna pregunta, comuníquese con el fabricante.
- B. Antes de realizar reparaciones o limpiar la unidad, desconecte la energía del panel de servicio y bloquee los medios de desconexión para evitar el accionamiento de la energía de manera accidental. Cuando los medios de desconexión de servicio no pueden bloquearse, coloque sobre el panel de servicio un dispositivo de advertencia bien visible, como una etiqueta.
- C. No utilice esta unidad con ningún dispositivo de control de velocidad de estado sólido.
- D. Esta unidad debe estar conectada a tierra.

⚠PRECAUCIÓN SÓLO PARA USO DE VENTILACIÓN GENERAL. NO LO UTILICE PARA ELIMINAR MATERIALES Y VAPORES PELIGROSOS O EXPLOSIVOS.

⚠PRECAUCIÓN PARA REDUCIR EL RIESGO DE INCENDIO Y PARA ELIMINAR EL AIRE DE ESCAPE CORRECTAMENTE, ASEGÚRESE DE DIRIGIR EL AIRE DEL CONDUCTO HACIA EL EXTERIOR. NO VENTILE EL AIRE DE ESCAPE EN ESPACIOS DENTRO DE PAREDES O CIELORRASOS O EN ÁTICOS, HUECOS SANITARIOS O GARAJES.

⚠ADVERTENCIA PARA REDUCIR EL RIESGO DE LESIONES A PERSONAS EN CASO DE UN INCENDIO DE GRASA SOBRE UNA ESTUFA, CUMPLA CON LOS SIGUIENTES PUNTOS*:

- A. APAGUE LAS LLAMAS con una tapa que ajuste bien, una plancha para galletas o una bandeja de metal, y luego apague el quemador. TENGA MUCHO CUIDADO A FIN DE EVITAR QUEMADURAS. Si las llamas no se apagan de inmediato, SALGA DE LA VIVIENDA Y LLAME AL DEPARTAMENTO DE BOMBEROS.
- B. NUNCA LEVANTE UNA SARTÉN EN LLAMAS—Usted puede quemarse.
- C. NO UTILICE AGUA, incluyendo repasadores o toallas húmedos—se provocará una violenta explosión de vapor.
- D. Utilice un extintor SÓLO si:
 - 1. Usted sabe que cuenta con un extintor Clase ABC y ya sabe cómo utilizarlo.
 - 2. El incendio es pequeño y se contuvo en el área donde comenzó.
 - 3. Se está llamando al departamento de bomberos.
 - 4. Usted puede combatir el incendio con su espalda dirigida hacia una salida.

*Basado en "[Kitchen Fire Safety](#)" publicado por NFPA.

LEA Y GUARDE ESTAS INSTRUCCIONES

INFORMACIÓN IMPORTANTE DE SEGURIDAD

LEA TODAS LAS INSTRUCCIONES ANTES DE USAR

▲ADVERTENCIA PARA REDUCIR EL RIESGO DE UN INCENDIO DE GRASA SOBRE UNA ESTUFA:

- A. Nunca deje unidades de superficie desatendidas en configuraciones de calor elevadas. Los alimentos que hierven y se derraman provocan humo y derrames grasos que pueden prenderse fuego. Caliente los aceites lentamente en configuraciones bajas o medias.
- B. Siempre encienda el sistema de ventilación cuando cocine con configuraciones de calor elevadas o cuando flambee alimentos (por ej., Crepes Suzette, cerezas Jubilee, carne flambeada a la pimienta en grano).
- C. Limpie los ventiladores con frecuencia. No debe permitirse la acumulación de grasa en el ventilador o en el filtro.
- D. Utilice el tamaño de recipiente adecuado. Siempre utilice recipientes de cocción apropiados para el tamaño del elemento de superficie.

▲ADVERTENCIA A FIN DE REDUCIR EL RIESGO DE INCENDIOS, DESCARGAS ELÉCTRICAS O LESIONES PERSONALES, CUMPLA CON LO SIGUIENTE:

- A. El trabajo de instalación y el cableado eléctrico deben ser realizados por una persona(s) calificada de acuerdo con todos los códigos y estándares aplicables, incluyendo construcciones resistentes al fuego.
- B. Es necesario contar con suficiente cantidad de aire para una combustión y salida de gases adecuadas a través del conducto (chimenea) del equipo de consumo de combustible, a fin de evitar ráfagas de aire. Siga las pautas del fabricante del equipo de calefacción y los estándares de seguridad, tales como aquellos publicados por la Asociación Nacional de Protección contra Incendios (National Fire Protection Association, NFPA), la Sociedad Estadounidense para la Calefacción (American Society for Heating), los Ingenieros de Refrigeración y Acondicionadores de Aire (Refrigeration and Air Conditioning Engineers, ASHRAE) y las autoridades de los códigos locales.

- C. Al cortar o perforar una pared o un cielorraso, no dañe el cableado eléctrico y de otros servicios ocultos.
- D. Los ventiladores con conducto siempre deben contar con ventilación hacia el exterior.
- E. Cuando corresponda, instale un sistema de reposición (reemplazo) de aire de acuerdo con los requisitos del código local de construcción. Para acceder a soluciones relacionadas con la reposición de aire, visite cafeappliances.com.
- F. Desconecte el disyuntor de habitaciones adyacentes mientras esté trabajando.

▲ADVERTENCIA A FIN DE REDUCIR EL RIESGO DE INCENDIOS, USE SÓLO CONDUCTOS DE METAL.

- No intente reparar o reemplazar ninguna parte de la cocina, a menos que esto se recomiende específicamente en este manual. Cualquier otra reparación deberá ser realizada por un técnico calificado.

Cómo Retirar la Película Protectora de Envío y la Cinta de Embalaje

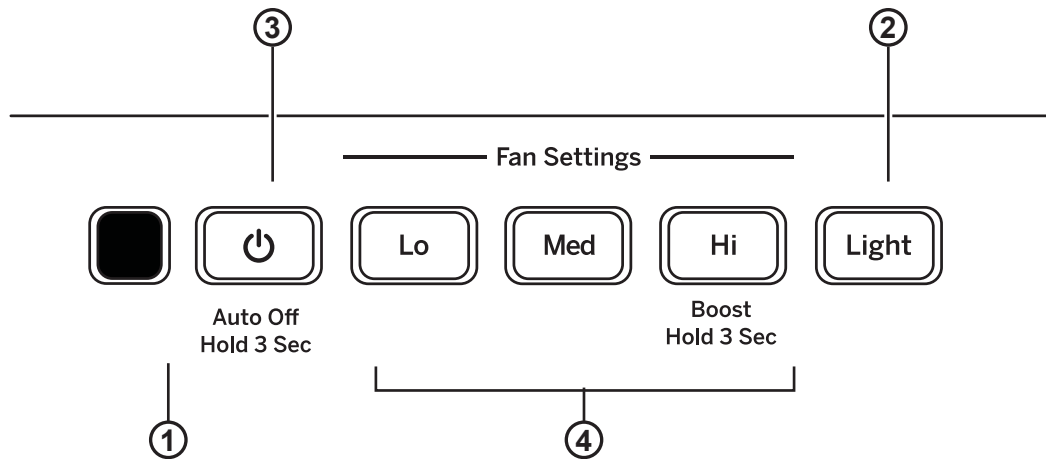
Con cuidado tome un extremo de la película protectora de envío con los dedos y lentamente retire la misma de la superficie del electrodoméstico. No utilice ningún producto filoso para retirar la película. Retire toda la película antes de usar el electrodoméstico por primera vez.

Para asegurar que no haya daños sobre el acabado del producto, la forma más segura de retirar el adhesivo de la cinta

de embalaje en electrodomésticos nuevos es aplicando un detergente líquido hogareño para lavar platos. Aplique con una tela suave y deje que se seque. **NOTA:** Si la superficie aún no se encuentra limpia, consulte sobre más opciones de limpieza en la página 8.

NOTA: El adhesivo deberá ser eliminado de todas las partes. No se puede retirar si se hornea con éste dentro.

LEA Y GUARDE ESTAS INSTRUCCIONES



- 1. Panel de Control de la Campana Extractora:** El panel de control está ubicado en el frente de la base. La posición y función de cada botón del control aparece escrito debajo.
- 2. Botón de Luz:** Interruptor On/Night/Off (Encendido/ Nocturno/ Apagado) para las luces halógenas. Presione el botón LIGHT (Luz) para encender las luces, nuevamente para ajustar las luces en la configuración nocturna, y nuevamente para apagarlas.
- 3. Botón Fan Off (Ventilador Apagado):** Interruptor de apagado del ventilador. El ventilador puede ser usado presionando cualquiera de los botones de configuración del ventilador. Mantenga presionado durante 2 segundos para activar la función de apagado automático luego de 15 minutos.
- 4. Botones de la Configuración del Ventilador:** Control de velocidad del ventilador. Presione el interruptor de Lo para activar la velocidad en LOW (Baja), Med para MEDIUM (Media) y Hi para HIGH (Alta). Mantenga presionado el botón Hi (Alto) durante 2 segundos para activar la función BOOST SPEED (Aumento de Velocidad), la cual funcionará durante 10 minutos.

Filtros

Asegúrese de que la energía eléctrica esté apagada y que todas las superficies estén frías antes de limpiar o arreglar cualquier pieza de la campana de ventilación.

Filtro de grasa metálico

El filtro metálico atrapa la grasa liberada por las comidas durante su cocción.

Filtro debe estar SIEMPRE en su lugar cuando la campana esté en funcionamiento. El filtro de grasa es apto para lavavajillas y debe limpiarse cada 6 meses, o según sea necesario.

Para quitar:

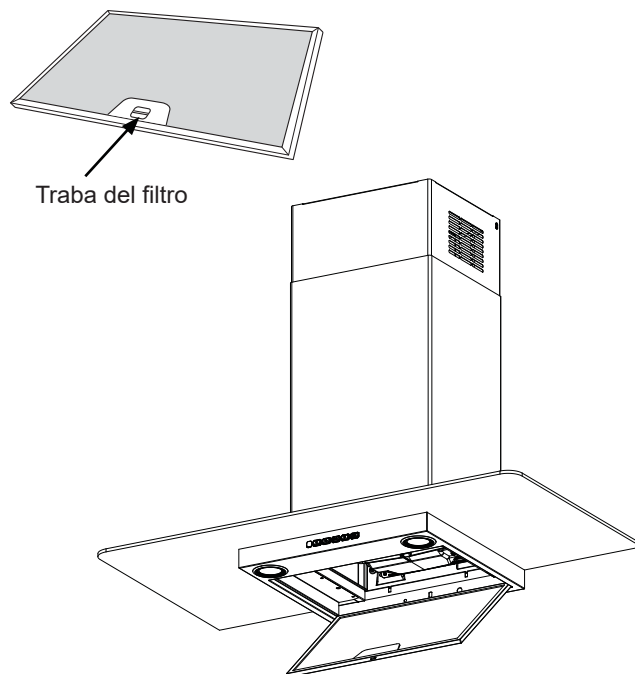
Tire hacia abajo la traba del filtro para liberarlo.

Para volver a colocar:

Coloque las lengüetas en la parte inferior del filtro, detrás del estante de la apertura del filtro. Levante la cara frontal del filtro, empuje hacia abajo el bloqueo del filtro, y empuje de forma suave hasta que el filtro esté en su posición. Libere el bloqueo del filtro para asegurar el mismo en su posición.

Para limpiar el filtro, utilice agua jabonosa caliente y enjuague con agua limpia o lávelo en el lavavajillas. No utilice productos de limpieza abrasivos.

NOTA: En el lavavajillas se producirá una leve decoloración.



Sólo Para Instalación con Recirculación

Filtro de carbón (No Incluido)

Si el modelo no tiene ventilación hacia afuera, el aire será recirculado a través de un filtro de carbón descartable que ayude a retirar el humo y los olores.

NOTA: NO enjuague o coloque el filtro de carbón en el lavavajillas automático.

El filtro de carbón no puede ser limpiado. Debe ser reemplazado. Se recomienda que el filtro de carbón sea reemplazado cada entre 6 y 12 meses, o si se encuentra notoriamente sucio o descolorido.

Solicite el filtro de carbón JXCF71.

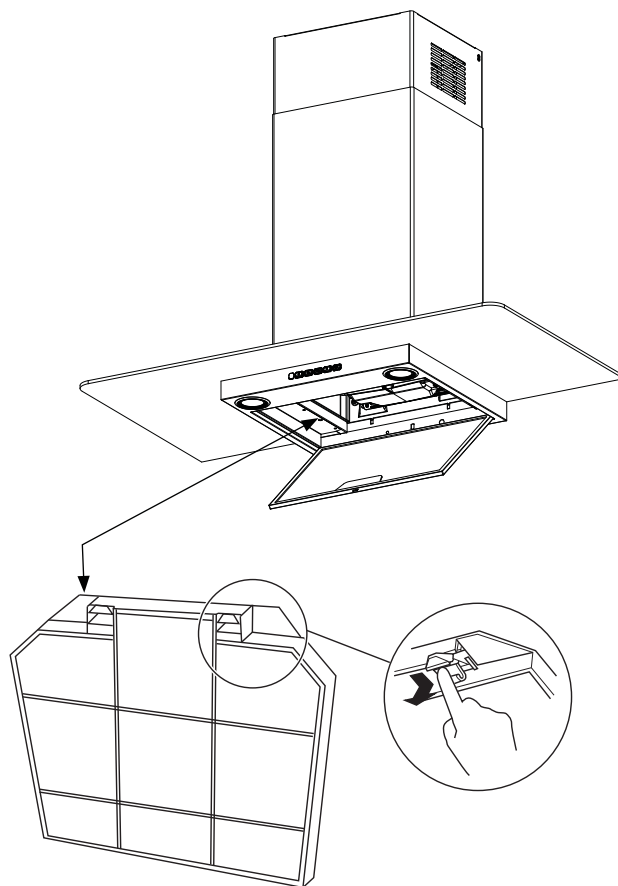
Para consultar sobre la compra de filtros de carbón de repuesto o para encontrar la ubicación del distribuidor más cercano a su domicilio, visite cafeappliances.com/parts.

Para su instalación:

1. Inserte las lengüetas con botón del filtro de carbón en las dos ranuras que se encuentran en la parte trasera de la unidad. Haga pivotar el filtro hacia arriba hasta su posición, mientras empuja hacia abajo las lengüetas de bloqueo.
2. Reemplace el filtro metálico – consulte la sección del filtro de grasa metálico.

Para su retiro:

1. Retire el filtro metálico – consulte la sección del filtro de grasa metálico.
2. Presione las dos lengüetas del filtro de carbón para desactivar el bloqueo y pivotar para el retiro.



Superficies

Superficies de acero inoxidable (en algunos modelos)

No utilice almohadillas de acero porque rayan la superficie.

Para limpiar la superficie de acero inoxidable, utilice agua tibia jabonosa o un limpiador o lustrador de acero inoxidable. Siempre limpie la superficie en dirección de la veta. Siga las instrucciones del producto para limpiar la superficie de acero inoxidable. Los limpiadores con ácido oxálico tales como **Bar Keepers Friend Soft Cleanser™** eliminarán el óxido sobre la superficie, deslustres y pequeñas manchas. Use sólo un limpiador líquido libre de material abrasivo y frote en la dirección de las líneas del cepillo con una esponja suave y húmeda.

Para consultar sobre la compra de limpiadores o lustradores de aparatos de acero inoxidable, o para encontrar la ubicación del distribuidor más cercano, visite cafeappliances.com/parts.

Superficies Pintadas (en algunos modelos)

No use virutas de acero u otros limpiadores abrasivos; estos rayarán la superficie.

De forma frecuente, limpie las superficies sucias de grasa. Para limpiar la superficie de la campana, use una tela caliente y húmeda con un detergente suave adecuado para superficies pintadas. Se puede agregar aproximadamente una cucharada sopera de amoníaco al agua. Use una tela limpia, caliente y húmeda para eliminar el jabón. Seque con una tela limpia y seca.

NOTA: Al realizar la limpieza, tenga cuidado de no tener contacto con los filtros y otras superficies no esmaltadas.

⚠ PRECAUCIÓN

Al limpiar las superficies de la campana, asegúrese de no tocar la lámpara con las manos húmedas o con una tela. Una lámpara tibia o caliente se puede romper si es tocada con una superficie húmeda. Siempre espere a que la lámpara se enfríe completamente antes de hacer la limpieza alrededor de la misma.

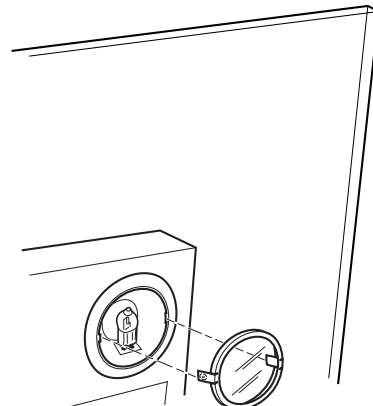
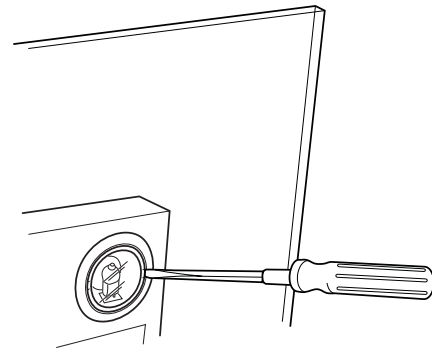
Lámparas

⚠ PRECAUCIÓN

Espera a que las lámparas se enfríen antes de tocar las mismas.

Para cambiar las lámparas:

1. Antes de intentar reemplazar las lámparas, asegúrese de que su interruptor esté apagado.
2. Utilice guantes. No toque la lámpara directamente con los dedos. Los aceites para la piel pueden ocasionar fallas tempranas en las lámparas. Use guantes limpios o use una toalla de papel para sostener la lámpara.
3. Utilizando un destornillador de punta plana, desconecte el anillo con borde metálico del soporte de la lámpara.
4. Retire la luz empujando hacia el frente de la campana. Reemplace la misma por una lámpara con Cápsula Halógena Clara G4 20W nueva, insertando las dos puntas en los agujeros y presionando hacia la parte trasera de la campana para asegurar la lámpara.
5. Vuelva a insertar el anillo con borde metálico alineando los agujeros con las dos caras sobre el soporte de la lámpara, con las dos lengüetas sobre el anillo con borde, y empuje hacia arriba.



Consejos para la Solución de Problemas... Antes de solicitar el servicio técnico

¡Ahorre tiempo y dinero! Primero revise los cuadros que aparecen en las siguientes páginas y es posible que no necesite solicitar reparaciones.

Problema	Causa Posible	Qué Hacer
El ventilador/la luz no funcionan cuando se presionan los botones	El fusible puede haberse quemado o el interruptor de circuitos puede haber saltado.	Cambie los fusibles o reconfigure el interruptor de circuitos.
El ventilador no funciona cuando los botones Lo (Bajo), Med (medio) y High (Alto) son presionados.	El conector del ventilador está suelto o no se encuentra enchufado dentro de su conector correspondiente.	Desconecte la electricidad hacia la unidad. Quite los filtros y observe el ventilador. Si el enchufe del conector del ventilador está suelto o si ve el conector colgando, el instalador no lo enchufó firmemente. Consulte el mini manual para conocer la ubicación del enchufe y cómo enchufar el conector.
Ruido de flujo de aire muy elevado o anormal	Tamaño de conducto incorrecto utilizado en la instalación.	Esta campana requiere un conducto de 6" para funcionar de manera óptima. El uso de un conducto más pequeño hará que la ventilación se reduzca. Minimice la longitud del conducto y el número de transiciones y codos. Los técnicos de CAFÉ no pueden corregir este problema si hay una instalación inadecuada.
El ventilador no hace circular aire o desplaza el aire más despacio que lo normal y/o hace ruido de flujo de aire elevado o anormal	Obstrucciones en el conducto.	Verifique que no haya obstrucciones en la ventilación. Controle que la cubierta de pared o casquete de techo tengan una hoja o puerta.
	El filtro de grasa metálico y el filtro de carbón (si lo hubiera) pueden estar sucios.	Asegúrese de que el regulador de tiro se mueva libremente. Las hojas del regulador de tiro pueden darse vuelta y no se abrirán por completo cuando esto suceda. Ajustela con la posición original.
	Es posible que el filtro de grasa metálico y el filtro de carbón (de estar presentes) estén sucios.	Limpie el filtro de grasa metálico y vuelva a colocar el filtro de carbón (si lo hubiera). Ver Cuidado y limpieza de la campana de ventilación.
	Insuficiente reposición (reemplazo) de aire	Se requiere suficiente reposición (reemplazo) de aire para que los artefactos con salida de aire funcionen de acuerdo con sus calificaciones energéticas. Controle los códigos locales de construcción, que podrán requerir o aconsejar enfáticamente el uso de reposición de aire. Para acceder soluciones de aire disponibles, visite cafeappliances.com .
Los controles de la campana no funcionan correctamente	Error en el circuito lógico.	Desconecte la electricidad de la campana reconfigurando el interruptor de circuitos. Espere 30 segundos para que los controles vuelvan a configurarse.
Falla temprana de la lámpara	Reemplace las lámparas con las manos descubiertas.	Reemplace las luces utilizando guantes que eviten que los aceites de la piel tomen contacto con las luces.
	El voltaje de la lámpara es demasiado alto.	Reemplace la misma por una con el voltaje correcto.

Garantía limitada de campana de cocina con ventilación CAFÉ

cafeappliances.com

Todo el servicio de garantía es provisto por nuestros Centros de Servicio de Fabricación, o un técnico de servicio autorizado. Para programar una visita del servicio técnico a través de Internet, visítenos en cafeappliances.com/service. Tenga listo el número de serie y número de modelo cuando programe el servicio.

Para realizar el servicio técnico de su electrodoméstico, se podrá requerir el uso de datos del puerto de abordaje para su diagnóstico. Esto da al técnico del servicio de fábrica de CAFÉ la habilidad de diagnosticar de forma rápida cualquier problema con su electrodoméstico, y de ayudar a CAFÉ a mejorar sus productos al brindarle a CAFÉ la información sobre su electrodoméstico. Si no desea que los datos de su electrodoméstico sean enviados a CAFÉ, solicitamos que le indique a su técnico no entregar los datos a CAFÉ en el momento del servicio.

Por el Período de	CAFÉ reemplazará
Un Año Desde la fecha de la compra original	Cualquier pieza del producto de cocción que falle debido a un defecto en los materiales o la fabricación. Durante esta garantía limitada de un año , CAFÉ también proveerá, sin costo , todo el trabajo y costos del servicio relacionados con el reemplazo de la pieza defectuosa.

Qué no cubrirá CAFÉ:

- Viajes del técnico del servicio a su hogar para enseñarle sobre cómo usar el producto.
- Instalación, entrega o mantenimiento inadecuados.
- Fallas del producto en caso de abuso, mal uso, modificación o uso para propósitos diferentes al original o uso comercial.
- Reemplazo de fusibles de la casa o reinicio de disyuntores.
- Daños ocasionados sobre el producto por accidente, incendio, inundaciones o catástrofes naturales.
- Daños incidentales o consecuentes causados por posibles defectos sobre este producto.
- Daño causado después de la entrega.
- Producto no accesible para brindar el servicio requerido.
- Solicite el servicio técnico para reparar o reemplazar las lámparas, excepto las lámparas LED.

EXCLUSIÓN DE GARANTÍAS IMPLÍCITAS

Su única y exclusiva alternativa es la reparación del producto, como se indica en la Garantía Limitada. Las garantías implícitas, incluyendo garantías implícitas de comerciabilidad o conveniencia sobre un propósito particular, se limitan a un año o al período más corto permitido por la ley.

Abroche su recibo aquí. Para acceder al servicio técnico de acuerdo con la garantía deberá contar con la prueba de la fecha original de compra.

Esta garantía limitada se extiende al comprador original y a cualquier propietario posterior de los productos comprados para uso doméstico dentro de EE. UU. Si el producto está en un área donde no se encuentra disponible un Proveedor Autorizado del Servicio Técnico de CAFÉ, usted será responsable por el costo de un viaje o se podrá requerir que traiga el producto a una ubicación del Servicio Técnico de CAFÉ autorizado para recibir el servicio. En Alaska, la garantía limitada excluye el costo de envío o visitas de servicio a su domicilio. Algunos estados no permiten la exclusión o limitación de daños fortuitos o consecuentes. Esta garantía limitada le otorga derechos legales específicos, y usted también podría tener otros derechos que varían de estado a estado. Para conocer cuáles son sus derechos legales, consulte a la oficina de asuntos del consumidor local o estatal o al Fiscal de su estado.

Garante: GE Appliances, a Haier company

Louisville, KY 40225

Garantías Extendidas: Adquiera una garantía extendida de CAFÉ y conozca los descuentos especiales que están disponibles mientras su garantía aún está vigente. Puede acceder a la misma a través de Internet en cualquier momento en

cafeappliances.com/extended-warranty

Los Servicios para los CAFÉ aún estarán disponibles cuando su garantía caduque.

Accesorios

¿Busca Algo Más?

¡CAFÉ ofrece una variedad de accesorios para mejorar sus experiencias de cocción y mantenimiento!

Consulte la página de Apoyo al Consumidor para información sobre la página web.

Estos y otros productos están disponibles:

Piezas

Filtro de Carbón

Kit de la Cubierta del Conducto para Cielorrasos Altos

Control Remoto

Lámparas de Reemplazo

Suministros de Limpieza

Limpiadores de Acero Inoxidable CitriShine

Limpiador para Electrodomésticos de Acero Inoxidable CERAMA BRYTE®

Bar Keepers Friend Soft Cleanser™

Soporte para el Consumidor

Sitio Web de CAFÉ

¿Desea realizar una consulta o necesita ayuda con su electrodoméstico? ¡Intente a través del sitio web de CAFÉ las 24 horas del día, cualquier día del año! Usted también puede comprar más electrodomésticos maravillosos de CAFÉ y aprovechar todos nuestros servicios de soporte a través de Internet, diseñados para su conveniencia. En EE.UU.: cafeappliances.com

Registre su Electrodoméstico

¡Registre su electrodoméstico nuevo a través de Internet, según su conveniencia! Un registro puntual de su producto permitirá una mejor comunicación y un servicio más puntual de acuerdo con los términos de su garantía, en caso de surgir la necesidad. También puede enviar una carta en la tarjeta de inscripción preimpresa que se incluye con el material embalado. En EE.UU.: cafeappliances.com/register

Servicio Programado

El servicio de reparación de expertos de CAFÉ está a sólo un paso de su puerta. Conéctese a través de Internet y programe su servicio a su conveniencia cualquier día del año. En EE.UU.: cafeappliances.com/service

Garantías Extendidas

Adquiera una garantía extendida de CAFÉ y conozca los descuentos especiales que están disponibles mientras su garantía aún está vigente. La puede adquirir en cualquier momento a través de Internet. Los servicios de CAFÉ aún estarán allí cuando su garantía caduque. En EE.UU.: cafeappliances.com/extended-warranty

Conectividad Remota

Para solicitar asistencia para la conectividad de red inalámbrica (para modelos con acceso remoto), visite nuestro sitio web en cafeappliances.com/connect

Piezas y Accesorios

Aquellos individuos calificados para realizar el servicio técnico de sus propios electrodomésticos podrán solicitar el envío de piezas o accesorios directamente a sus hogares (se aceptan las tarjetas VISA, MasterCard y Discover). Ordene hoy a través de Internet durante las 24 horas, todos los días. En EE.UU.: cafeappliances.com/parts

Las instrucciones que figuran en este manual cubren los procedimientos que serán realizados por cualquier usuario. Otros servicios técnicos generalmente deben ser derivados a personal calificado del servicio. Se deberá tener cuidado, ya que una reparación indebida podrá hacer que el funcionamiento no sea seguro.

Contáctenos

Si no se encuentra satisfecho con el servicio que recibió de CAFÉ, comuníquese con nosotros a través de nuestro sitio web con todos los detalles, incluyendo su número telefónico, o escriba a:

En EE.UU.: General Manager, Customer Relations | CAFÉ Appliances, Appliance Park | Louisville, KY 40225
cafeappliances.com/contact