

INSTALLATION INSTRUCTIONS CARE AND MAINTENANCE



Colony® Two-Piece Toilet

221AA/221AB Series Colony Right Height® Elongated

221CA/221CB Series Colony Elongated

221DA/221DB Series Colony Round Front

Thank you for selecting American Standard – the benchmark of fine quality for over 100 years. To ensure this product is installed properly, please read these instructions carefully before you begin. (Certain installations may require professional help.) Also be sure your installation conforms to local codes.

⚠ CAUTION: PRODUCT IS FRAGILE. TO AVOID BREAKAGE AND POSSIBLE INJURY HANDLE WITH CARE!

NOTE: Pictures may not exactly define contour of china and components.

RECOMMENDED TOOLS AND MATERIALS

Putty Knife	Regular Screwdriver	Adjustable Wrench	Sealant	Tape Measure
Hacksaw	Wax Ring/Gasket	Flexible Supply Tube	Closet Bolts	Carpenters Level

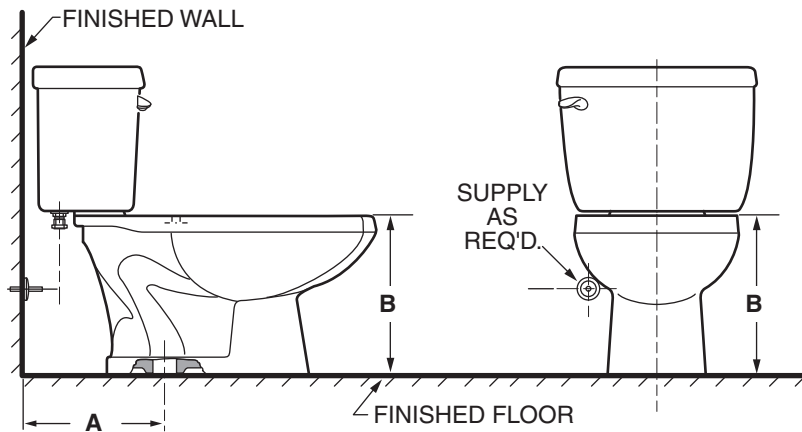
1 REMOVE OLD TOILET

- Close toilet supply valve and flush tank completely. Towel or sponge remaining water from tank and bowl.
- Disconnect and remove supply line. NOTE: *If replacing valve, first shut off main water supply!*
- Remove old mounting hardware, remove toilet and plug floor waste opening to prevent escaping sewer gases.
- Remove closet bolts from flange and clean away old wax, putty, etc. from base area.

NOTE: Mounting surface must be clean and level **before** new toilet is installed!

2 ROUGHING-IN DIMENSIONS:

NOTE: Distance from wall to closet flange centerline must be as listed on chart under ROUGH-IN DIMENSION "A", the BOWL HEIGHT is listed as DIMENSION "B".



BOWL SHAPE	ROUGH-IN DIM. "A"	BOWL HEIGHT DIM. "B"	COMBO MODEL	BOWL MODEL	TANK MODEL
RIGHT HEIGHT® ELONGATED	12" (305mm)	16-1/2" (419mm)	221AA	3251A	4192A
	10" (254mm)	16-1/2" (419mm)	221AB	3251A	4192B
ELONGATED	12" (305mm)	15" (381mm)	221CA	3251C	4192A
	10" (254mm)	15" (381mm)	221CB	3251C	4192B
ROUND FRONT	12" (305mm)	15" (381mm)	221DA	3251D	4192A
	10" (254mm)	15" (381mm)	221DB	3251D	4192B

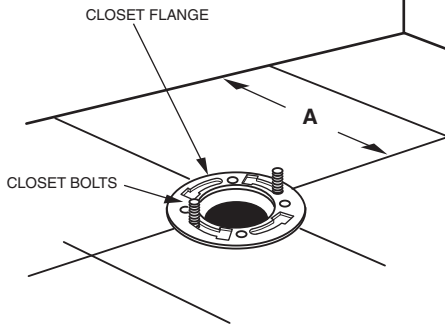
SAVE FOR FUTURE USE



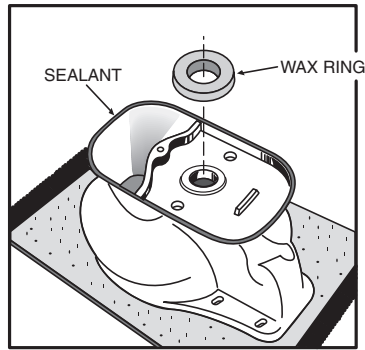
7302073-100A

Product names listed herein are trademarks of AS America Inc.
© AS America Inc. 2013

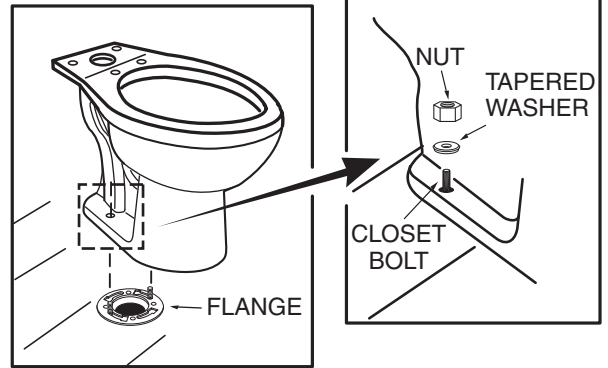
7302073-100 Rev. A

3**INSTALL CLOSET BOLTS**

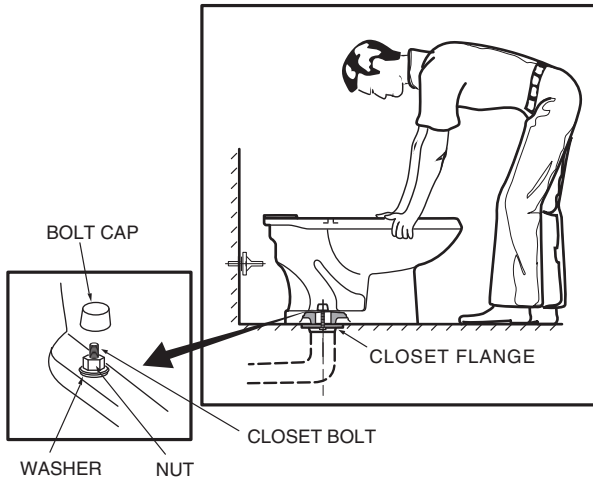
Install closet bolts in flange channel and slide into place parallel to wall.

4**INSTALL WAX SEAL**

Invert toilet on floor (cushion to prevent damage), and install wax ring evenly around waste flange (horn), with tapered end of ring facing toilet. Apply a thin bead of sealant around toilet base.

5**POSITION TOILET ON FLANGE**

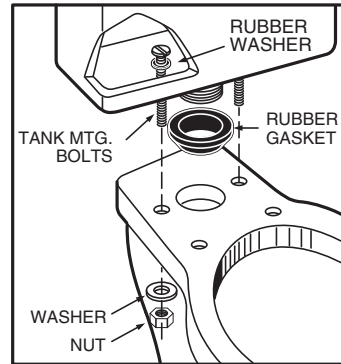
- Unplug floor waste opening and install toilet on closet flange so bolts project through mounting holes.
- Loosely install retainer washers and nuts. Side of washers marked "THIS SIDE UP" *must* face up!

6**INSTALL TOILET**

- Position toilet squarely to wall and, with a rocking motion, press bowl down fully on wax ring and flange. Alternately tighten nuts until toilet is firmly seated on floor.

CAUTION:
DO NOT OVERTIGHTEN NUTS
OR BASE MAY BE DAMAGED!

- Install caps on washers. (If necessary, cut bolt height to size before installing caps.)
- Smooth off the bead of sealant around base. Remove excess sealant.

7**INSTALL TANK**

- Install large rubber gasket over threaded outlet on bottom of tank and lower tank onto bowl so that tapered end of gasket fits evenly into bowl water inlet opening.
- Insert tank mounting bolts and rubber washers from inside tank, through mounting holes, and secure with metal washers and nuts.
- With tank parallel to wall, alternately tighten nuts until tank is snugged down evenly against bowl surface.

CAUTION:
DO NOT OVERTIGHTEN NUTS MORE
THAN REQUIRED FOR A SNUG FIT!

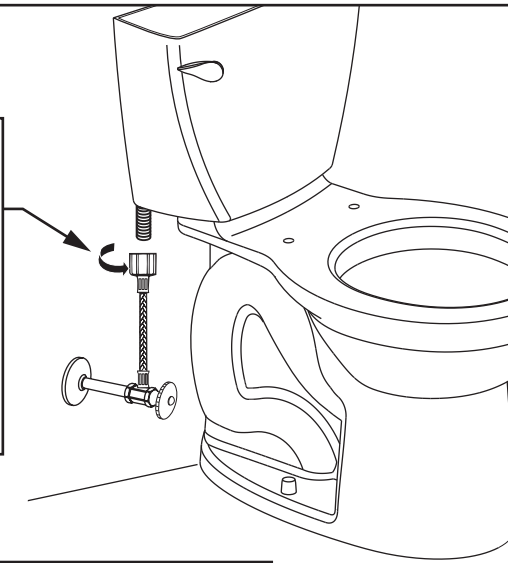
8**INSTALL TOILET SEAT**

Install toilet seat in accordance with manufacturer's directions.

9

A

Connect water supply line.
(Sold separately)
Hand tighten nut.



B

Turn on water supply.

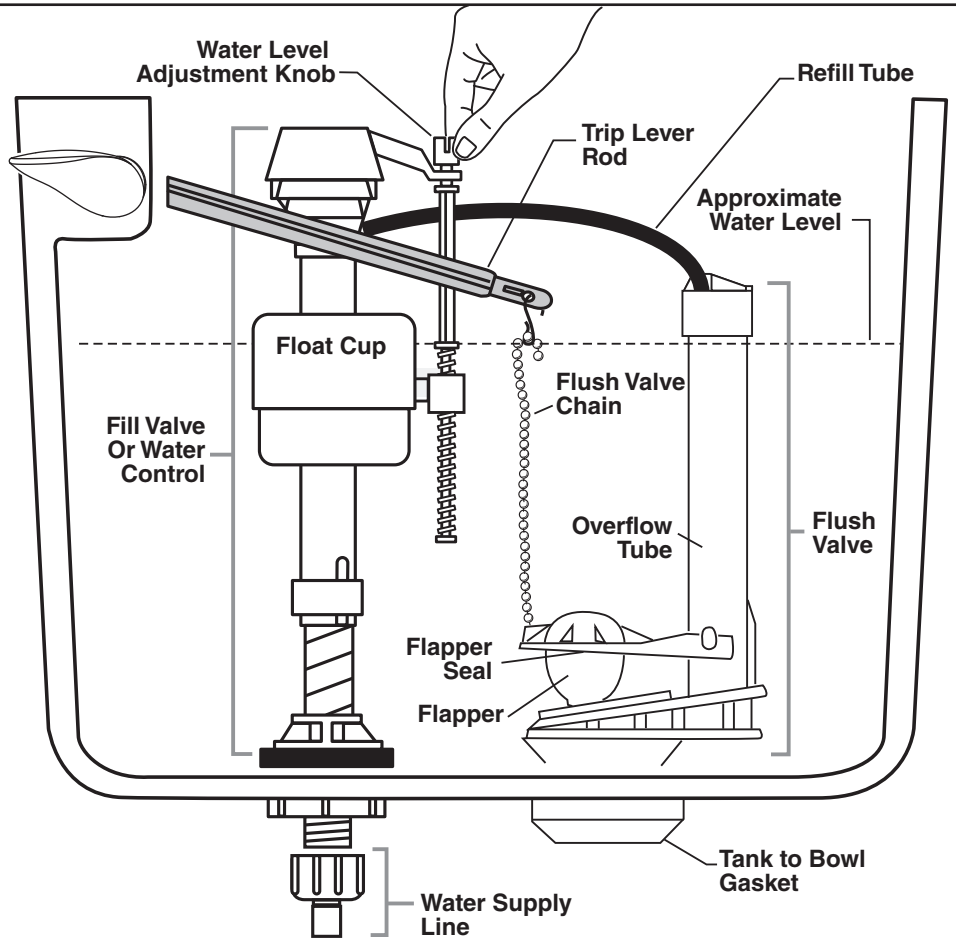


WARNING: Overtightening of water supply line nuts could result in breakage and potential flooding. If the connection leaks after hand tightening, replace the supply line. Do not use any type of sealant on the water supply connection. Use of plumber's putty, pipe dope, or any other type of sealant will void the warranty.

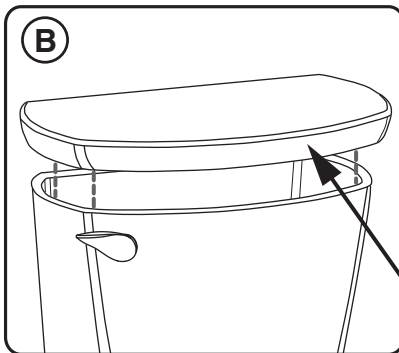
10

A

Adjust water level to level indicated on tank by turning water level adjustment knob to move float cup up or down.



B



**REPAIR PARTS LABEL
LOCATED UNDER TANK LID.**

CARE AND CLEANING

When cleaning your toilet, wash it with mild, soapy water, rinse thoroughly with clear water and dry with a soft cloth.
WARNING: Do not use in-tank cleaners. These products can seriously corrode fittings in the tank. This damage can cause leakage and property damage. American Standard shall not be responsible or liable for any damage caused by the use of in-tank cleaners.

TROUBLESHOOTING GUIDE - See Step 8 For Diagram

Problem	Possible Cause	Corrective Action
Does not flush	<ul style="list-style-type: none"> a. Water supply valve closed. b. Supply line blocked. c. Flush valve chain too loose or disconnected. d. Sand or debris lodged in water control. 	<ul style="list-style-type: none"> a. Open valve and allow water to fill tank. b. Shut off water supply, disconnect supply line and inspect all gaskets and washers. Reassemble. c. Readjust chain length as required. d. Shut off water supply. Remove cap and clean as per Fluidmaster maintenance instructions at: www.americanstandard-us.com/enews/fluidmasterguide.pdf
Poor or sluggish flush	<ul style="list-style-type: none"> a. Bowl water level too low. b. Supply valve partly closed. c. Partially clogged trapway and/or drain pipe and/or vent. d. Supply pressure too low. 	<ul style="list-style-type: none"> a. Check that refill tube is connected to water control and inserted into overflow tube without being kinked or damaged. b. Open supply valve fully. Be sure that proper supply tube size is used. c. Remove obstruction. Consult a plumber if necessary. d. Normal supply pressure must be at least 20 psi.
Toilet leaks	<ul style="list-style-type: none"> a. Poor supply line connection. b. Poor bowl to tank/floor connection. 	<ul style="list-style-type: none"> a. Review Step 7 of installation procedure. b. Review Step 1 through 6 of installation procedure.
Toilet does not shut off	<ul style="list-style-type: none"> a. Flapper seal leaking or deformed. b. Sand or debris lodged in water control. c. Flush valve chain too tight, holding flapper open. 	<ul style="list-style-type: none"> a. Clean debris from seal surface. Replace flapper seal as needed. See web for more info. b. Shut off water supply. Remove cap and clean as per Fluidmaster maintenance instructions at: www.americanstandard-us.com/enews/fluidmasterguide.pdf c. Readjust chain length as needed.
Toilet bowl rocks after installation	<ul style="list-style-type: none"> a. Wax ring not fully compressed. b. Floor not level. 	<ul style="list-style-type: none"> a. Retighten bowl-to-floor knobs. b. Use toilet shims and /or place a bead of caulk around the base of the toilet.

FOR REPAIR PARTS LIST, SEE LABEL UNDERTANK LID.

In the United States:

American Standard Brands
P.O. Box 6820
Piscataway, New Jersey 08855
Attention: Director of Customer Care

For residents of the United States, warranty information may also be obtained by calling the following toll free number: (800) 442-1902

www.americanstandard.com

In Canada:

AS Canada, ULC
5900 Avebury Rd.
Mississauga, Ontario
Canada L5R 3M3

Toll Free: (800) 387-0369

www.americanstandard.ca

In Mexico:

American Standard B&K Mexico
S. de R.L. de C.V.
Via Morelos #330
Col. Santa Clara
Ecatepec 55540 Edo. Mexico

Toll Free: 01-800-839-1200

www.americanstandard.com.mx