

# DVG50M7450W

SAMSUNG

## Samsung Gas Dryer

7.4 cu. ft. Capacity DOE



### Signature Features

#### Multi-Steam Technology

- Steam away wrinkles, odors, bacteria and static.

#### Eco Dry

- Uses up to 25% less energy for every load.

#### Sensor Dry

- Optimizes the time and temperature to dry clothes thoroughly, avoiding heat damage.

### Available Color



White



Multi-Steam Technology



Eco Dry

### Features

- Multi-Steam Technology
- Eco Dry
- Sensor Dry
- Smart Care
- 11 Preset Dry Cycles
- 7 Options
- 4 Temperature Settings
- Interior Drum Light
- 7.4 cu. ft. Capacity
- LED Display: Ice Blue
- Reversible See-Through Door
- Wrinkle Prevent Option
- 3-Way Venting
- Powder Coat Interior

### Convenience

- Child Lock
- Filter Check Indicator

# DVG50M7450W

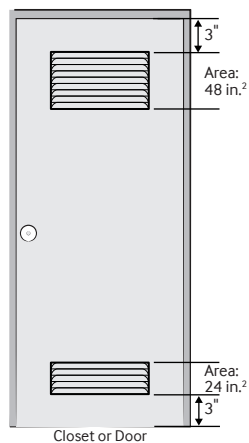
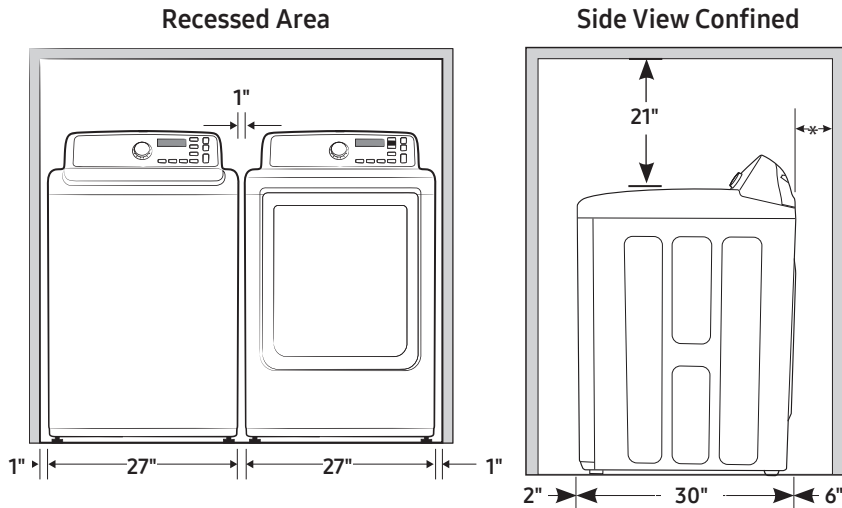
# SAMSUNG

## Samsung Gas Dryer

7.4 cu. ft. Capacity DOE

### Installation Specifications

#### Alcove or closet installation



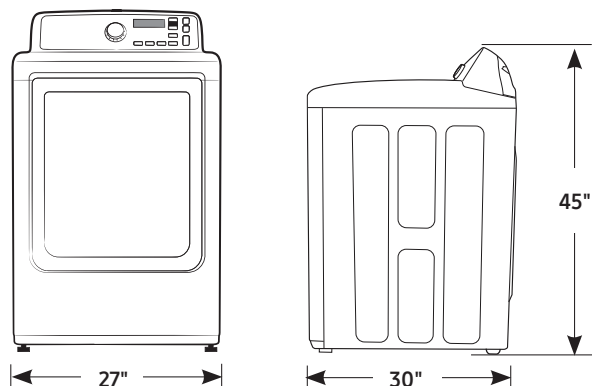
#### Minimum clearances for closets and alcoves:

Sides – 1"  
Top – 21"  
Rear – 6"  
Closet Front – 2"

If the washer and dryer are installed together, the closet front must have at least a 72-inch<sup>2</sup> unobstructed air opening. Your washer alone does not require a specific air opening.

\*Required spacing (External exhaust elbow may require additional space.)

### Dimensions



#### 3-Way Venting

#### 11 Preset Dry Cycles:

Steam Refresh, Steam Sanitize, Steam Wrinkle Away, Normal, Heavy Duty, Towels, Permanent Press, Bedding, Delicates, Time Dry, Quick Dry

#### 7 Options:

Wrinkle Prevent, Adjust Time (Up), Adjust Time (Down), Child Lock, Eco Dry, Smart Care, Drum Light

#### 4 Temperature Settings:

High, Medium, Low, Extra Low

#### 4 Dry Levels:

Very Dry, More Dry, Normal Dry, Damp Dry

#### 2 Sound Level Settings:

On/Off

#### Warranty

One (1) Year Parts and Labor

#### Product Dimensions & Weight (WxHxD)

Dimensions: 27" x 45" x 30"

Weight: 121.3 lbs

#### Shipping Dimensions & Weight (WxHxD)

Dimensions: 29<sup>9</sup>/<sub>16</sub>" x 47<sup>3</sup>/<sub>4</sub>" x 31<sup>3</sup>/<sub>16</sub>"

Weight: 130.1 lbs

Gas	Model #	UPC Code
White	DVG50M7450W	887276197012
Electric		
White	DVE50M7450W	887276196978
Matching Washer		
White	WA50M7450AW	887276196411