



## Freestanding Ranges

FGGF304DL F/W/B

30" Gas



### Product Dimensions

Height (Max.)	49"
Width	30"
Depth (Including Handle)	28-5/16"

### More Easy-To-Use Features

#### Quick Boil

Boils water faster.

#### Express-Select® Controls

Easily go from warm to boil.

#### One-Touch Options

Our ovens feature easy-to-use one touch buttons so you can cook pizza or chicken nuggets — or even add a minute to the timer — with the touch of a button.

#### SpaceWise® Half Rack

Flexible rack system that adjusts to cook multiple dishes at once. Remove the half rack and you'll have extra height for tall dishes.

#### One-Touch Keep Warm Setting

Just one touch of a button keeps food warm until everything — and everyone — is ready.

#### Smudge-Proof Stainless Steel<sup>13</sup>

Protective coating reduces fingerprints and smudges so it's easy to clean.

#### Effortless™ Convection

Takes the guesswork out of convection cooking — our oven does the converting for you.

#### Low Simmer Burner

Perfect for delicate foods and sauces.

Sabbath Mode (Star-K® Certified)

#### Available in:



Stainless (F)

White (W)

Black (B)

### Signature Features



#### Fits-More™ Double Oven Range

A second 2.3 cu. ft. oven gives you more space to cook multiple dishes at the same time.



#### Largest Range Capacity with Second Oven

Cook a large meal effortlessly with our double cooking capacity available so you can cook two meals, at different temperatures, at once.



#### Quick Preheat

Preheat in less than six minutes!<sup>1</sup>



#### True Convection<sup>2</sup>

Multi-rack baking is faster and more even with True Convection.

Burners	BTU
Right Front	17,000
Right Rear	5,000
Left Front	9,500
Left Rear	14,000
Center Extra Zone	9,500

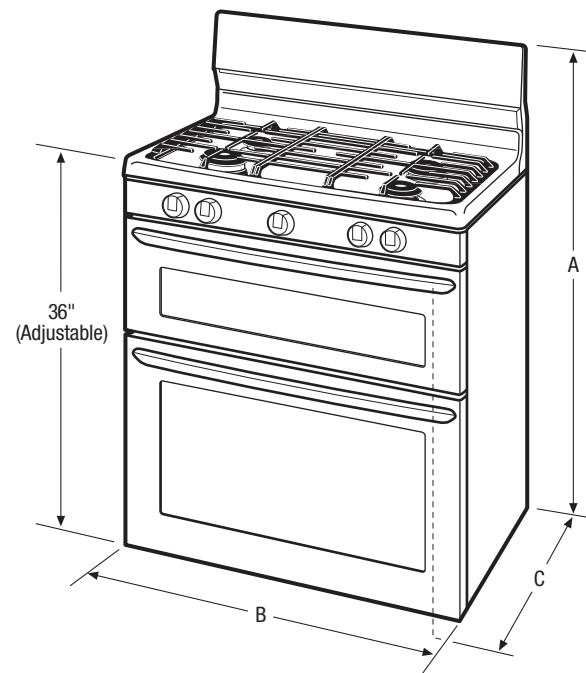
<sup>1</sup> Based on single rack cooking performance, not set temperature, using Quick Preheat.

<sup>2</sup> Main oven only.

<sup>3</sup> Select model only.

<b>Features</b>	
Oven Control / Timing System	Express-Select® Controls
Surface Type	Black Porcelain (F), Color-C. Porc. (W/B)
Sealed Gas Burners	Yes
Grates	Continuous Cast Iron w/Black Matte Finish
Window	Large
Exterior Door Finish	Smudge-Proof Stainless Steel (F), Color-Coord. (W/B)
Handle Design	Stainless Steel (F), Color-Coordinated (W/B)
Exterior Finish (Side Panels)	Black (F), Color-Coordinated (W/B)
Convection System	True Convection (Main)
Oven Cleaning System	Self Clean
Auxiliary Oven	Fits-More™ Upper Oven
<b>Oven Controls</b>	
Bake / Broil	Yes / Variable (400 – 550 °F)
Effortless™ Convection Conversion	Yes (Main)
Convection Bake / Broil / Roast	Yes / No / Yes (Main)
Quick Bake Convection	
Quick Preheat	Yes
My Favorite	
Chicken Nugget Button	Yes
Pizza Button	Yes
Keep Warm	Yes
Add-a-Minute	Yes
Delay Bake	Yes
Self Clean	Yes
Quick Clean Option	Yes
Delay Clean	2, 3, 4 Hours
Kitchen Timer / Timed Cook Option	Yes / Yes
Auto Oven Shut-O	6 Hours
Oven Lock-Out	Yes (Both Ovens)
Auxiliary Oven Control	Electronic
<b>Cooktop Features</b>	
Right Front Burner (BTU)	17,000
Right Rear Burner (BTU)	5,000
Left Front Burner (BTU)	9,500
Left Rear Burner (BTU)	14,000
Center Extra Zone Burner (BTU)	9,500
<b>Oven Features</b>	
Main / Auxiliary Capacity (Cu. Ft.)	3.5 / 2.3
Main / Auxiliary Oven Light	1 / 1
Rack Configuration	2 Heavy Duty, 1 SpaceWise® Half Rack
Baking System	Even Baking Technology
Broiling System	Vari-Broil™ Hi/Lo
Main Bake / Broil Burners (BTU)	12,500 / No
Auxiliary Bake / Broil Burners (BTU)	11,500 / 10,000
Auxiliary Oven Racks	1
<b>Certifications</b>	
Sabbath Mode (Star-K® Cert.)	Yes
<b>Specifications</b>	
Main Oven Interior (H x W x D)	12-3/4" x 24-1/8" x 19-1/2"
Auxiliary Oven Interior (H x W x D)	8-3/8" x 24-3/8" x 19-3/8"
Power / Gas Supply Conn. Location	Left / Right Bottom Rear
LP Gas Conversion Kit	Included
Voltage Rating	120V / 60Hz / 15A
Conn. Load (kW Rating) @ 120 Volts <sup>1</sup>	.43
Amps @ 120 Volts	15
Shipping Weight (Approx.)	280 Lbs.

<sup>1</sup>For use on adequately wired 120V, dedicated circuit having 2-wire service with a separate ground wire. Appliance must be grounded for safe operation.



**NOTE:** For planning purposes only. Always consult local and national electric and gas codes. Refer to Product Installation Guide for detailed installation instructions on the web at [frigidaire.com](http://frigidaire.com).



Product Dimensions	
A - Height	49"
B - Width	30"
C - Depth	28-5/16"
Depth with Door Open 90°	45-1/2"

Cabinet Cutout Dimensions	
Height (stand.)	36"
Width (min.)	30-1/8"
Depth (min.)	24"

Accessories information available on the web at [frigidaire.com](http://frigidaire.com)

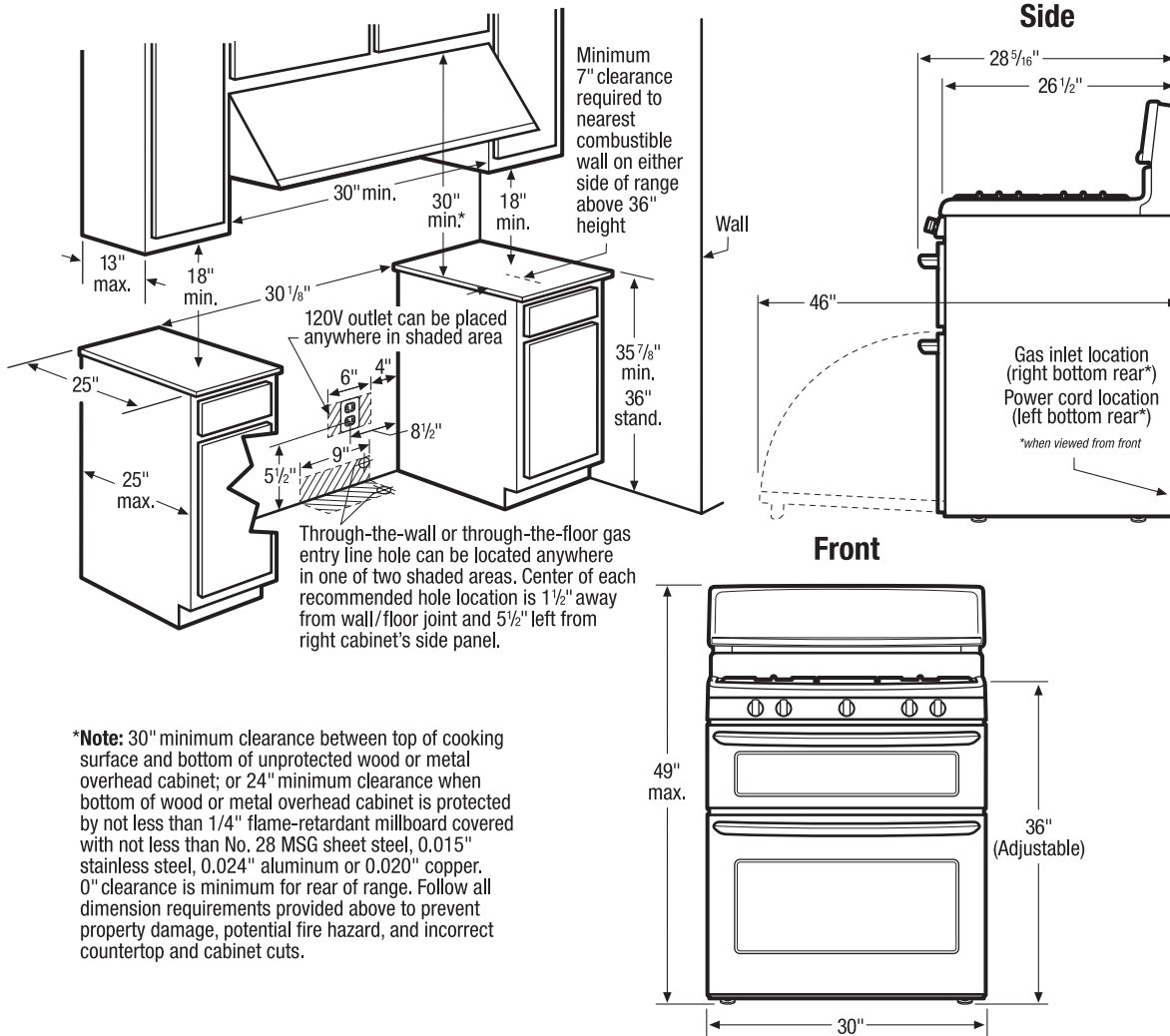
### FRIGIDAIRE

USA • 10200 David Taylor Drive • Charlotte, NC 28262 • 1-800-FRIGIDAIRE • [frigidaire.com](http://frigidaire.com)  
 CANADA • 5855 Terry Fox Way • Mississauga, ON L5V 3E4 • 1-800-265-8352 • [frigidaire.ca](http://frigidaire.ca)

FGGF304DL 10/11

© 2011 Electrolux Home Products, Inc.

Specifications subject to change.



**Freestanding Range Specifications**

- Product Shipping Weight (approx.) - 280 Lbs.
- Voltage Rating - 120V / 60 Hz / 15 Amp
- Connected Load (kW Rating) @ 120 Volts = .43 kW (For use on adequately wired 120V, dedicated circuit having 2-wire service with a separate ground wire. Appliance must be grounded for safe operation.)
- Amps @ 120 Volts = 15 Amps
- Always consult local and national electric and gas codes.
- Make sure wall coverings around range can withstand heat generated by range.
- Linoleum or any other synthetic floor covering located beneath range, must be capable of withstanding minimum heat of 90° F above room temperature without shrinking, warping or discoloring. Insulating pad or 1/4"-thick plywood required between range and a carpeted floor.
- Do not obstruct flow of combustion air at oven vent nor around base or beneath lower front panel of range. Range requires fresh air for proper burner combustion.
- Do not install range beneath any downward-blowing, overhead vent hood or air curtain.
- Range ships with 1/2" NPT factory regulator.
- LP Gas Conversion Kit supplied.

- Overhead cabinetry should not exceed a 13" maximum depth.
- Allow 30" minimum clearance between top of cooking surface and bottom of unprotected wood or metal overhead cabinet; or 24" minimum clearance when bottom of wood or metal overhead cabinet is protected by not less than 1/4" flame-retardant millboard covered with not less than No. 28 MSG sheet steel, 0.015" stainless steel, 0.024" aluminum or 0.020" copper.
- Absolute minimum horizontal distance between overhead cabinets installed to either side of appliance must be no less than maximum width of appliance.
- Range can be installed flush to wall with 0" minimum rear clearance.
- Minimum 7" clearance required from edge of rangetop to nearest combustible wall on either side of range above 36" height.
- To reduce risk of fire when using overhead cabinetry, install vent hood that projects horizontally a recommended minimum of 5" beyond bottom of cabinets.
- Follow all dimension requirements provided to prevent property damage, potential fire hazard, and incorrect countertop and cabinet cuts.

**Note:** For planning purposes only. Refer to Product Installation Guide on the web at [frigidaire.com](http://frigidaire.com) for detailed instructions.









