

Café™ 30" Free-Standing Gas Double Oven Convection Range

CGB550P3MD1

CAFÉ

DISTINCT BY DESIGN™



FEATURES & BENEFITS

Cook five-course meals in a snap with an **edge-to-edge cooktop** that can accommodate cookware of all sizes.

Get the power and performance you need to pull off any meal with an **18K burner** that boils water quickly and a **center oval burner** that provides even heat coverage for large cookware like griddles.

Impress guests with perfectly grilled arepas and crab cakes on the **extra large integrated reversible cast-iron grill/griddle** that gives you enough room for the perfect flip.

From everyday gourmet meals to large dinner parties, save time with two independent ovens with a total capacity of **6.7 cu. ft** for true cooking flexibility.

Achieve perfectly even desserts with accurate heat circulation thanks to **True European Convection with Precise Air**.

Control your oven from any room in the house with your Smart phone using **WiFi Connect**.

Keep your oven looking spotless with a high heat **steam clean option** for small spills and a **self-clean cycle** for larger messes.

Create a chef-like experience with **Chef Connect**, which can synchronize your appliance clocks and surface lights and vent when a range burner is in use, and even your microwave and range clocks.

APPEARANCE

Color Appearance	Matte Black
Cooktop Burner Grate Color	Matte Black
Oven Door Features	Big Clear View Oven Window; Matte Black Frameless Oven Door
Handle	Professional Style; Customizable; Consumer Removable
Handle Color	Stainless Steel
Handle Design	Café
Control Knobs	Weighted Stainless Steel Appearance

FEATURES

Configuration	Double Oven
Cooking System	True Convection
Cooking Technology	Convection
Oven Cleaning Type	Self-Clean with Steam Clean Option
Burner - Left Front	18,000 BTU
Burner - Left Rear	5,000 BTU Precise Simmer
Burner - Right Front	15,000 BTU
Burner - Right Rear	9,500 BTU
Burner - Center	10,000 BTU Oval
Cooktop Burner Type	Sealed
Cooktop Surface	One-Piece Upswept; Porcelain-Enamel; Gray
Dishwasher Safe Knobs	Yes
Control Location	Front controls
Control Type	Digital Temperature Display; Glass Touch; Oven Control - Digital
Valves (Degree of Turn)	270
Oven Control Features	Audible Preheat Signal; Automatic Oven Timer (Time Bake); Auto Oven Shut-Off; Auto Self Clean; Certified Sabbath Mode; Control Lock Capability; Delay Bake Option (Time Bake); Digipad Numeric Entry; Electronic Clock & Kitchen Timer; In-Oven Broiling; Temperature Probe; Self-Clean Cool Down Time Display
Oven Cooking Modes	Convection Bake; Convection Roast
Cooktop Burner Grate Features	Heavy-Cast Edge-to-Edge Grates
Cooktop Burner Grate Material	Cast-Iron
Cleaning Time	Variable with Delay Clean Option
Oven Rack Features	3 Flat Racks; 6 Rack Positions
Fuel Type	Natural Gas (factory set)
Ignition System	Electronic
Leveling System	4 Leveling Legs
Style	Commercial
Oven Interior	2 Oven Interior Lights; Black
WiFi Connect	Built-In

CAPACITY

Total Capacity (cubic feet)	6.7 cu ft
Capacity (cubic feet)	2.4 Upper / 4.3 Lower

ACCESSORIES

Grates	Optional Center Grate JXGRATE1
Grill	Reversible Integrated Grill/Griddle (Included)
LP Conversion Kit	Included
Griddle	Integrated Cast Iron Reversible

WEIGHTS & DIMENSIONS

Depth with Door Open	43-1/2 in
Approximate Shipping Weight	280 lb
Net Weight	260 lb
Overall Height	47-1/4 in
Height to Cooking Surface (in.)	36-1/4 +/- 1/4
Overall Width	29-7/8 in
Cabinet Width	30 in
Overall Depth	29-1/4 in
Depth Without Handle	26-3/4 in
Oven Interior Dimensions (W x H x D) (in.)	24 x 9-1/8 x 19-1/8 - Upper 24 x 15 x 20-5/8 - Lower

Café™ 30" Free-Standing Gas Double Oven Convection Range

CGB550P3MD1

CAFÉ

DISTINCT BY DESIGN™

POWER / RATINGS

Amp Rating at 208V	15
Amp Rating at 240V	15
Convection Wattage	1200W
Top Burner BTU Rating - LP (000's BTU's)	(1) 18.0; (1) 15.0; (1) 8.0; (1) 9.5; (1) 5.0
Top Burner BTU Rating - Nat. Gas (000's BTU's)	(1) 18.0; (1) 15.0; (1) 10.0; (1) 9.5; (1) 5.0
Volts/Hertz/Amps	120v; 60Hz; 15A
Bake/Broiler BTU Rating - LP (000's BTU's)	7.0 / 120V - Upper; 13.5 / 13.5 - Lower
Bake/Broiler BTU Rating - Nat. Gas (000's BTU's)	7.0 / 120V Upper; 14.0 / 16.5 Lower

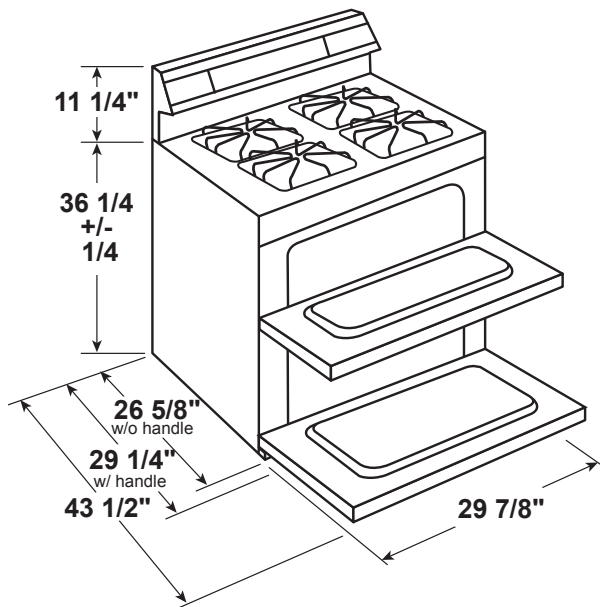
WARRANTY

Parts warranty	Limited 1-year entire appliance
Labor warranty	Limited 1-year entire appliance

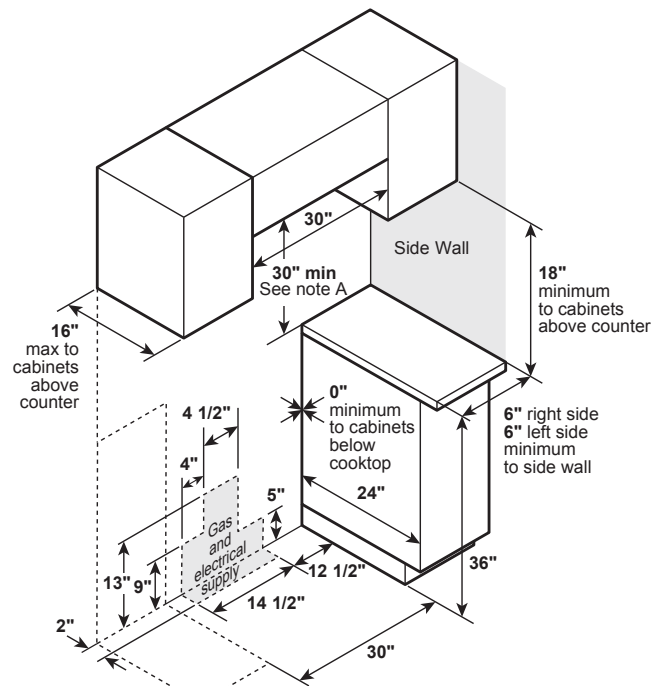
DIMENSIONS AND INSTALLATION

Electrical Rating: 120V, 60Hz, 15A

Installation Information: Before installing, consult installation instructions packed with product for current dimensional data.



GAS PIPE AND ELECTRICAL OUTLET LOCATIONS

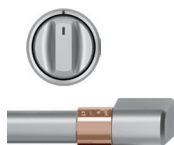


Note A: 30" Minimum to bare cabinet, see installation instructions heights less than 30"

ADDITIONAL ACCESSORIES



CXFSGHKPMBZ
Brushed Bronze
2 handles; 5 knobs



(Included)
Brushed Stainless
2 handles, 5 knobs



CXFSGHKPMBT
Brushed Black
2 handles, 5 knobs



CXFSGHKPMCU
Brushed Copper
2 handles, 5 knobs