

PURCHASER	P.O. #	DATE
PROJECT	LOCATION	
ENGINEER	ARCHITECT	
SUBMITTED BY	FOR APPROVAL	FOR REFERENCE

ITEM	PLAN DESIGNATION	QUANTITY	COOLING BTU/H	VOLTAGE	FRIEDRICH MODEL

Comfort & Convenience

- 24-hour timer
- Auto air sweep swing louvers provide more even air distribution
- Chill units feature a 3 speed fan for cooling or fan-only setting
Chill+ units feature a 2 speed fan for cooling, heating or fan-only setting
- Ultraquiet operation
- 4-way air flow control
- Auto-restart saves settings if power is interrupted
- Slinger ring condensate removal

Health

- Washable, antimicrobial air filter
- Check filter alert
- Stale air exhaust

Installation

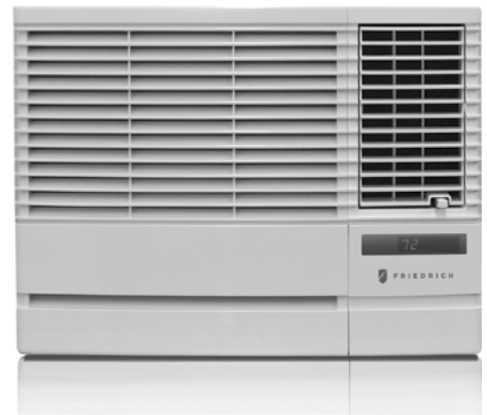
- Slideout chassis (fixed chassis on CP05)
- Standard installation hardware
- Expandable side curtains
- Power cord can run either left or right out of the side of the unit front

Safety Features

- EntryGard anti-intrusion protection

Earth Friendly

- Zero Ozone Depletion Refrigerants
- NEW R32 refrigerant with low Global Warming Potential (select models)
- ENERGY STAR® qualified models
- Money Saver® setting saves money by operating the fan only when cooling



SPECIFICATIONS

★ ENERGY STAR® models

Model	Cooling Btu	Heating Btu	Volts Rated	Cooling Amps	Cooling Watts	Heating Amps	Heating Watts	EER	CEER	Estimated Yearly Energy Cost	Moisture Removal- Pints/HR	Refrigerant	CFM	Net Wt. lbs.	Ship Wt. lbs.	Sleeve
Chill® (Cool Only)																
★ CP06G10B	6000	—	115	4.6	490	—	—	12.2	12.1	\$44	1.8	R410A	200	62	71	P6
★ CP08G10B	8000	—	115	6.2	660	—	—	12.2	12.0	\$60	2.2	R32	250	63	72	
★ CP10G10B	10000	—	115	7.7	820	—	—	12.1	12.0	\$74	3.0	R32	300	75	85	P7
★ CP12G10B	12000	—	115	9.3	990	—	—	12.1	12.0	\$89	3.3	R32	330	83	93	
★ CP15G10B	15500	—	115	11.9	1300	—	—	11.9	11.8	\$117	4.0	R32	400	117	132	P9
★ CP18G30B	19000/18600	—	230/208	7.4/8.0	1590/1560	—	—	11.9/11.9	11.8/11.8	\$138	5.5	R32	520	132	147	
★ CP24G30B	24000/23500	—	230/208	10.6/11.4	2260/2310	—	—	10.4/10.4	10.3/10.3	\$209	6.8	R32	590	137	152	
Chill®+ (Electric Heat)																
EP08G11B	7500	3850	115	6.3	670	11.0	1260	11.2	11.0	\$61	2.1	R410A	250	79	85	P6
EP12G33B	12000/11500	11200/9200	230/208	4.8/5.1	1060/1010	14.0/15.3	3500/2900	11.3/11.3	11.2/11.2	\$96	3.3	R410A	265	87	93	P7
EP18G33B	18000/17500	12000/9800	230/208	7.2/7.8	1600/1560	16.0/15.0	3670/3100	11.2/11.2	11.1/11.1	\$144	5.5	R410A	430	136	150	P9
EP24G33B	23000/22500	12000/9800	230/208	10.6/11.5	2340/2290	16.0/15.0	3670/3100	9.8/9.8	9.8/9.8	\$211	6.5	R410A	560	146	160	

INSTALLATION INFORMATION



Sleeve	Height Inches	Width Inches	Depth with Front Inches	Shell Depth to Louvers Inches	Minimum Extension Into Room* Inches	Minimum Extension Outside * Inches	Window Width Inches		In-wall Installation Finished Hole Inches			Carton Dimensions Inches		
			A	B			Minimum**	Maximum	Height	Width	Max. Depth C	Height	Width	Depth
P6	13 7/8"	18 9/16"	20 11/16"	8 1/8"	4 1/2"	11"	20 1/8"	36"	14 1/8"	18 7/8"	7 1/2"	17 7/8"	22 3/4"	22"
P7	15"	23 5/8"	22 1/16"	8 3/4"	4 1/2"	12"	25 1/4"	39"	15 1/4"	23 7/8"	8"	18 3/4"	26 3/4"	23 7/8"
P9	16 7/8"	25 1/2"	30 5/16"	10 1/4"	5 1/2"	19 1/2"	26 1/2"	42"	17 1/8"	26 1/4"	9"	21 1/2"	33"	28 7/8"

All Chill models have sleeve built into the unit.

* Minimum extensions when mounted in a window.

** Minimum widths achieved using one side curtain assembly as opposed to both in a standard installation.

CIRCUIT RATING/ BREAKER

Model	Circuit Rating Breaker or T-D Fuse	Plug Face (NEMA#)	Power Cord Length (ft.)	Wall Outlet Appearance
CP06G10B, CP08G10B, CP10G10B, CP12G10B and CP15G10B. EP08G11B.	125V - 15A	5- 15P	6	
CP18G30B	250V - 15A	6 - 15P	4 1/2	
CP24G30B. EP12G33B, EP18G33B and EP24G33B.	250V - 20A	6 - 20P	4	