

Single Wall Ovens

FGEW3065P D/F/W/B

30" Electric



Product Dimensions

| | |
|--------|---------|
| Height | 29" |
| Width | 30" |
| Depth | 24-3/4" |

More Easy-To-Use Features

Steam Cleaning

A light oven cleaning that's chemical-free, odor-free, and fast.

Effortless™ Temperature Probe

Take the guesswork out of cooking with the Effortless Temperature Probe that shows you the internal cooking temperature of your food. You can set the desired finished temperature and the oven alerts you when that temperature has been reached.

Even Baking Technology

Our Even Baking Technology ensures even baking every time.

One-Touch Keep Warm Setting

Just one touch of a button keeps food warm until everything — and everyone — is ready.

Smudge-Proof™ Stainless Steel²

Reduces fingerprints and smudges so it's easy to clean.

Built with American Pride

Appliances that are high-performing, more accessible, and more innovative than ever—designed, built, and engineered in the U.S.A..

A.D.A. Compliant

When properly installed, this model is A.D.A.-qualified based on the United States Access Board's A.D.A./A.B.A. Accessibility Guidelines and the Department of Justice's 2010 A.D.A. Standards for Accessible Design.



Sabbath Mode (Star-K® Certified)

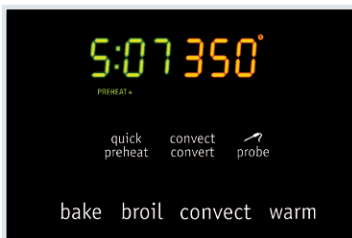
Available in:



¹Based on single rack cooking performance, not set temperature, using Quick Preheat.

²Select model only.

Signature Features



Quick Preheat

Preheat in just a few minutes.¹



True Convection

Single convection fan circulates hot air throughout the oven for faster and more even multi-rack baking.



Power Broil

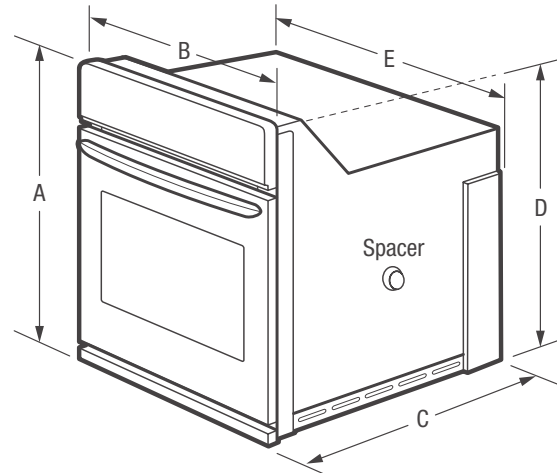
Added power means you can broil food faster.



Effortless™ Convection

Takes the guesswork out of convection cooking — our oven automatically adjusts standard baking temperatures to convection temperatures for consistent results.

| Features | |
|--|---|
| Oven Control/Timing System | Express-Select* |
| Window | Extra-Large |
| Exterior Door Finish | Smudge-Proof™ Stainless Steel (D/F), Color-Coordinated (W/B) |
| Handle Design | Stainless Steel (D/F), Color-Coordinated (W/B) |
| Oven Cleaning System | Self-Clean w/ Steam Clean Option |
| Oven Controls | |
| Bake/Broil | Yes/Variable (400 - 550 °F) |
| Effortless™ Convection Conversion | Yes |
| Convection Bake/Broil/Roast | Yes/Yes/Yes |
| Oven Preheat | Quick |
| My Favorite | |
| Slow Cook | |
| Effortless™ Temperature Probe | Yes |
| Chicken Nugget Button | |
| Pizza Button | |
| Keep Warm | Yes |
| Add-a-Minute | |
| Delay Start | Yes |
| Self-Clean/Clean Options | Yes/2, 3, 4 Hours |
| Steam Clean | Yes |
| Delay Clean | Yes |
| Kitchen Timer | Yes |
| Timed Cook Option | Yes |
| Control Lock | Yes |
| Auto Oven Shut-Off | Yes |
| Oven Lock-Out | Yes |
| Oven Features | |
| Capacity (Cu. Ft.) | 4.6 |
| Convection System | True Convection |
| Oven Light | 2 Halogen |
| Hidden Bake Element | Yes |
| Rack Configuration | 2 Heavy Duty, 1 Offset Rack |
| Baking System | Even Baking Technology |
| Broiling System | Power Broil |
| Bake/Broil Element (Watts) | 2,000/3,400 |
| Optional Accessories | |
| 3"-High Bottom Trim - Black Stainless (D)/Stainless Steel (F)/ White (W)/Black (B) | (D) PN# A1078801 (F) PN# 318903519 (W) PN# 318903516 (B) PN# 318903517 |
| 10'-Long Armored Power Cable | PN# 903056-9010 |
| Certifications | |
| A.D.A. Compliant ¹ | Yes |
| Sabbath Mode (Star-K® Certified) | Yes |
| Specifications | |
| Oven Interior (H x W x D) | 17-1/2" x 24-1/8" x 18-3/4" |
| Power Supply Connection Location | Left Bottom Rear |
| Voltage Rating | 240V/208V/60Hz |
| Connected Load (kW Rating) @ 240/208 Volts ² | 3.7/2.8 |
| Amps @ 240/208 Volts | 15.4/13.5 |
| Minimum Circuit Required (Amps) | 20 |
| Approved for Under-Counter Installation | Yes |
| Shipping Weight (Approx.) | 146 Lbs. |



NOTE: For planning purposes only. Always consult local and national electric codes. Refer to Product Installation Guide for detailed installation instructions on the web at frigidaire.com.



| Product Dimensions | |
|--------------------------|----------|
| A - Height | 29" |
| B - Width | 30" |
| C - Depth | 24-3/4" |
| D - Height (Wrapper) | 27-3/16" |
| E - Width (Wrapper) | 28-1/4" |
| Depth with Door Open 90° | 45-3/4" |

| Cutout Dimensions | |
|----------------------|-------------------|
| Height (Min.)/(Max.) | 27-1/4" / 28-5/8" |
| Width (Min.)/(Max.) | 28-1/2" / 29" |
| Depth (Min.) | 24" |

¹When properly installed, this model is A.D.A.-qualified based on the United States Access Board's A.D.A./A.B.A. Accessibility Guidelines and the Department of Justice's 2010 A.D.A. Standards for Accessible Design.

²Single phase 3- or 4-wire cable, 120/240 or 120/208 Volt, 60 Hertz AC only electrical supply with ground required on separate circuit fused on both sides of line.

Accessories information available on the web at frigidaire.com

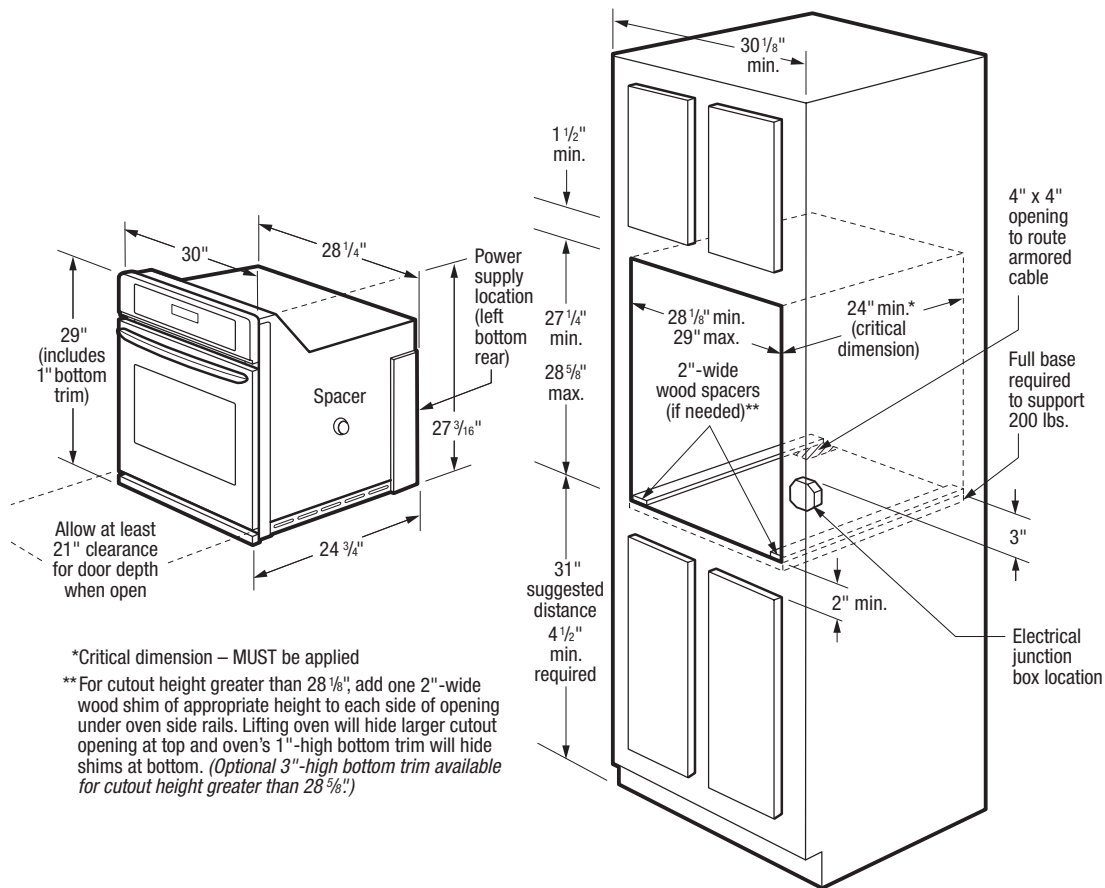
FRIGIDAIRE

USA • 10200 David Taylor Drive • Charlotte, NC 28262 • 1-800-FRIGIDAIRE • frigidaire.com
CANADA • 5855 Terry Fox Way • Mississauga, ON L5V 3E4 • 1-800-265-8352 • frigidaire.ca

FGEW3065P 01/17

© 2017 Electrolux Home Products, Inc.

Specifications subject to change.



Single Wall Oven Specifications

- Product Shipping Weight (approx.) - 146 Lbs.
- Single phase 3- or 4-wire cable, 120/240 or 120/208 Volt, 60 Hertz AC only electrical supply with ground required on separate circuit fused on both sides of line.
- Connected Load (kW Rating) @ 240/208 Volts = 3.7/2.8kW
- Amps @ 240/208 Volts = 15.4/13.5 Amps
- Recommended Circuit Breaker - 20 Amps
- Always consult local and national electric codes.
- Minimum 21" clearance for oven door depth when open.
- Suggested distance from floor is 31". Minimum required distance is 4-1/2".
- Minimum 24" deep cutout dimension is critical for proper installation, to ensure that oven's faceplate will fit flush against cabinet front.
- To adapt oven to fit cutout height greater than 28-1/8", add one 2"-wide wood shim of appropriate height to each side of opening under oven side rails. Lifting oven will hide larger cutout opening at top and oven's 1"-high bottom trim will hide shims at bottom. (Standard 1"-High Bottom Trim included.)
- To adapt oven to fit cutout height greater than 28-5/8", optional 3"-High Bottom Trim available.

- Full oven base of solid plywood or similar material required, capable of supporting 200 Lbs.
- Base must be level and cabinet front must be square.
- Single Wall Ovens are NOT approved to be used in stackable or side-by-side installation.
- Single Wall Ovens are approved to be used alone in under-counter installation or beneath any approved Frigidaire® gas or electric cooktop. (Refer to Gas or Electric Cooktop Installation Over 30"/27" Electric Single Wall Oven Specifications pages on web.)
- Single Wall Ovens are approved to be used in combination with any Frigidaire® Warmer Drawer. (Refer to model-specific Warmer Drawer product page for Combination Installation Specifications.)
- Single Wall Ovens are approved to be used in combination with any Frigidaire® Built-In Microwave Oven.

Note: For planning purposes only. Refer to Product Installation Guide on the web at frigidaire.com for detailed instructions.

Optional Accessories

- 3"-High Black Stainless Steel Bottom Trim - (PN# A10788801).
- 3"-High Stainless Steel Bottom Trim - (PN# 318903519).
- 3"-High White Bottom Trim - (PN# 318903516).
- 3"-High Black Bottom Trim - (PN# 318903517).
- 10'-Long Armored Power Cable - (PN# 903056-9010).