

Whirlpool® Gas Built-in Cooktop

PRODUCT MODEL NUMBERS

GLT3057R GLT3657R W3CG3014X

TYPE OF GAS

Natural Gas:

• This cooktop is factory set for use with Natural gas. If converting to LP gas, see the following "LP Gas Conversion" section. The model/serial rating plate located on the underside of the cooktop base has information on the types of gas that can be used. If the types of gas listed do not include the type of gas available, check with the local gas supplier.

LP Gas Conversion:

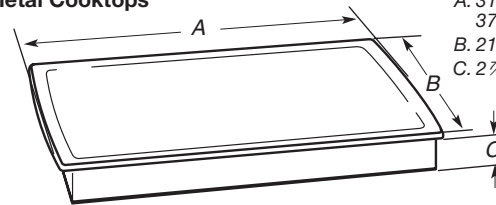
Conversion must be done by a qualified service technician.

No attempt shall be made to convert the cooktop from the gas specified on the model/serial rating plate for use with a different gas without consulting the serving gas supplier. See the Gas Conversion instructions provided in the package containing literature.

Electrical: A 120-volt, 60-Hz, AC-only, 15-amp fused, electrical circuit is required. A time-delay fuse or circuit breaker is also recommended. It is recommended that a separate circuit serving only this cooktop be provided.

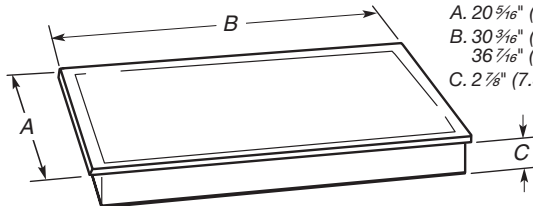
OVERALL DIMENSIONS

Metal Cooktops



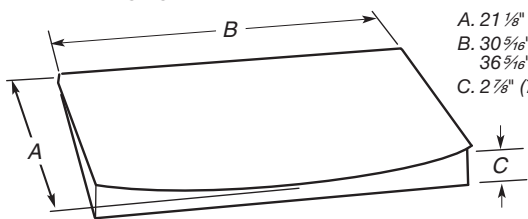
- A. 31 ⁷/₁₆" (79.8 cm) on 30" (76.2 cm) models, 37 ⁷/₁₆" (95.4 cm) on 36" (91.4 cm) models
- B. 21 ¹/₄" (53.4 cm)
- C. 2 ⁷/₈" (7.3 cm)

Straight-edge glass cooktops



- A. 20 ⁹/₁₆" (51.5 cm)
- B. 30 ³/₁₆" (76.8 cm) on 30" (76.2 cm) models, 36 ⁷/₁₆" (92.5 cm) on 36" (91.4 cm) models
- C. 2 ⁷/₈" (7.3 cm)

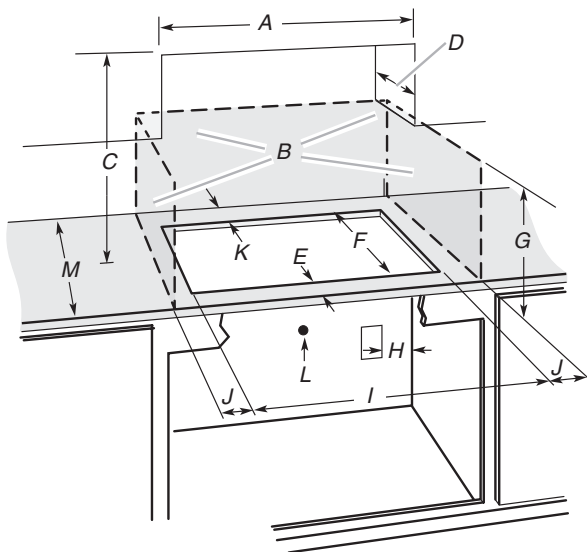
Curved-edge glass cooktops



- A. 21 ¹/₈" (53.7 cm)
- B. 30 ³/₁₆" (77.0 cm) on 30" (76.2 cm) models, 36 ⁷/₁₆" (92.3 cm) on 36" (91.4 cm) models
- C. 2 ⁷/₈" (7.3 cm)

CABINET OPENING DIMENSIONS

IMPORTANT: If installing a range hood or microwave hood combination above the cooktop, follow the range hood or microwave hood combination installation instructions for dimensional clearances above the cooktop surface.



- A. 30" (76.2 cm) on 30" models; 36" (91.4 cm) on 36" models
- B. Combustible area above countertop (shown by dashed box)
- C. 30" (76.2 cm) minimum clearance between top of cooktop platform and bottom of unprotected wood or metal cabinet (24" [61 cm] minimum clearance if bottom of wood or metal cabinet is protected by not less than ¹/₄" [0.6 cm] flame retardant millboard covered with not less than No. 28 MSG sheet steel, 0.015" [0.04 cm] stainless steel, or 0.024" [0.06 cm] aluminum or 0.020" [0.05 cm] copper)
- D. 13" (33 cm) recommended upper cabinet depth
- E. 2 ¹/₈" (5.4 cm)
- F. 19" (48.3 cm)
- G. 18" (45.7 cm) minimum clearance from upper cabinet to countertop within minimum horizontal clearances to cooktop
- H. Grounded outlet - Locate within 24" (61 cm) of right rear corner of cutout
- I. 29" (73.7 cm) on 30" models; 35 ¹/₄" (89.5 cm) on 36" models
- J. 8 ³/₈" (21.3 cm) minimum distance to nearest left and right side combustible surface
- K. 2 ⁷/₈" (7.3 cm) minimum distance to rear combustible surface
- L. Gas line opening - Wall: anywhere 5" (12.7 cm) below underside of countertop. Cabinet floor: Anywhere within 6" (15.2 cm) of rear wall is recommended
- M. 24" (61 cm) minimum countertop depth is required

NOTES: After you make the countertop cutout, some installations may require notching down the base cabinet side walls to clear the cooktop base. To avoid this modification, use a base cabinet with sidewalls wider than the cutout.

If cabinet has a drawer, a 4" (10.2 cm) depth clearance from the countertop to the top of the drawer (or other obstruction) in base cabinet is required. The drawer depth may need to be shortened to avoid interfering with the regulator.