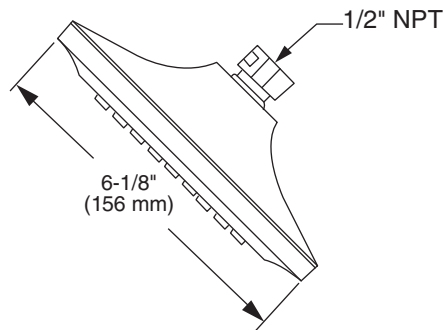


MODEL NUMBER:

□ 1660.508 Townsend Showerhead



GENERAL DESCRIPTION:

Single function showerhead. Full spray pattern. Brass ball joint.
Easy clean spray nozzles. 2.5 gpm/9.5 L/min. maximum flow rate.

PRODUCT FEATURES:

Single Function: Showerhead provides drenching spray for full coverage of the user.

Easy Clean Spray Nozzles: Easily clean lime and calcium build up. Nozzles will not clog.

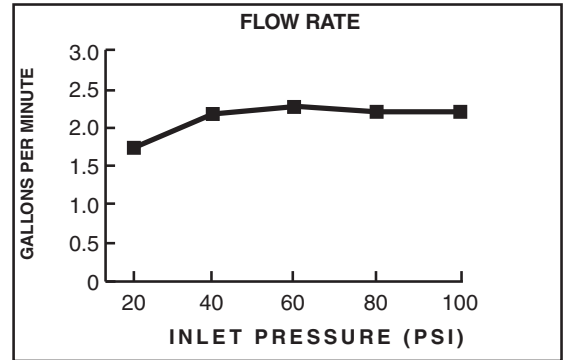
SUGGESTED SPECIFICATION

Showerhead shall have 1 spray pattern and brass ball joint. Fitting shall be American Standard Model # 1660.508._____.


CODES AND STANDARDS

These products meet or exceed the following codes and standards:

**ASME A112.18.1
CSA B125.1**



Product Number	Description	Finishes			
		Polished Chrome	PVD Polished Nickel	Legacy Bronze	PVD Satin Nickel
		002	013	278	295
1660.508	Townsend® Showerhead Only				

Showerhead Accessories	
Product Number	Description
1660.240	Standard Shower Arm and Flange 
1660.241	Modern Shower Arm and Flange 