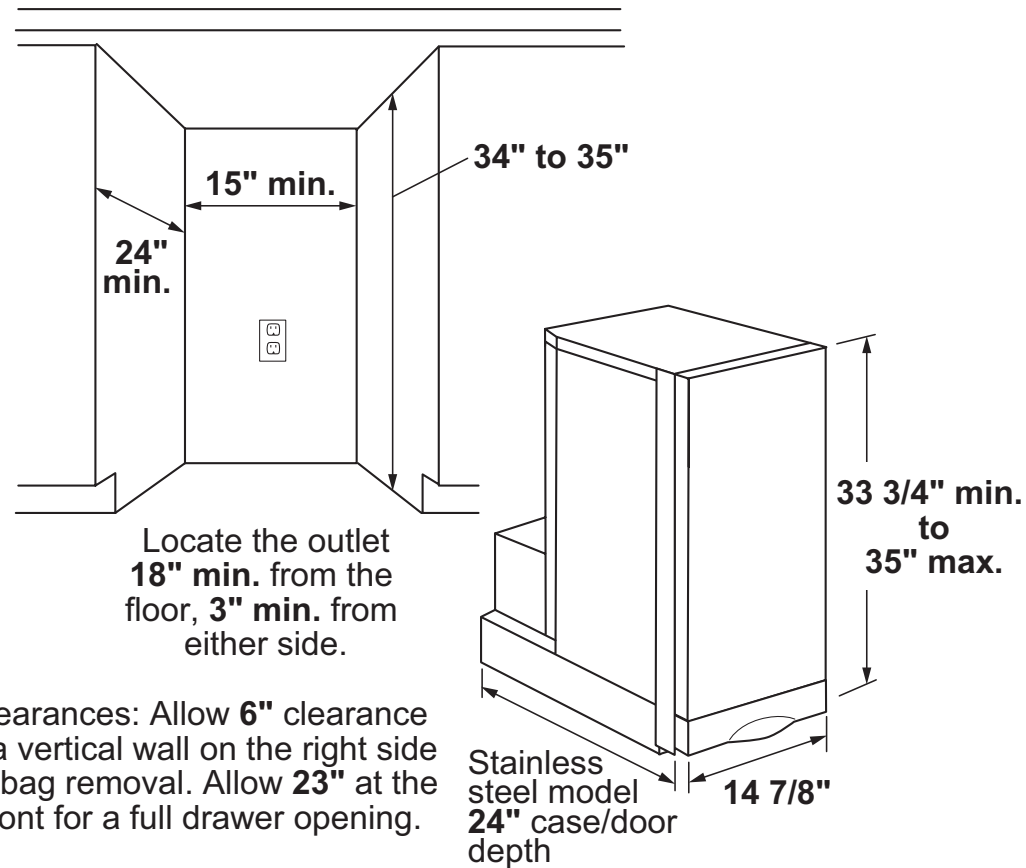


# UCG1600/50/80L

## Universal 15" Built-In Compactor

### DIMENSIONS AND INSTALLATION INFORMATION (IN INCHES)



For answers to your Monogram, GE Café™ Series, GE Profile™ Series or GE Appliances product questions, visit our website at [geappliances.com](http://geappliances.com) or call GE Answer Center® Service, 800.626.2000.



Specification Revised 3/17

# UCG1600/50/80L

## *Universal 15" Built-In Compactor*

### **FEATURES AND BENEFITS**

**Hidden Controls** - The controls are hidden behind the compactor door, lending a beautiful designer appearance

**Built-In Only** - The compactor is built-in to adjacent cabinetry for an upscale appearance

**1.4 Cu. Ft. Capacity** - Provides plenty of room for waste items or recyclables

**1/3 HP Motor** - Powerful motor provides maximum compacting power

**Removable Key Lock** - Provides added safety by assuring the drawer remains locked during use

**Toe Pedal Opener** - Hands-free toe pedal drawer makes it easy to open and load

**Automatic Anti-Jam** - Operation is easy and reliable, even with a challenging load

**Rear Wheels** - Allow easy movement and installation

**Removable Drawer** - Makes it simple to empty and clean

**Model UCG1600LWW** - White on white

**Model UCG1600LBB** - Black on black

**Model UCG1680LSS** - Stainless steel

**Model UCG1650LII** - Custom panel

