

Cooktop Models ETT365-2 and METB365-1



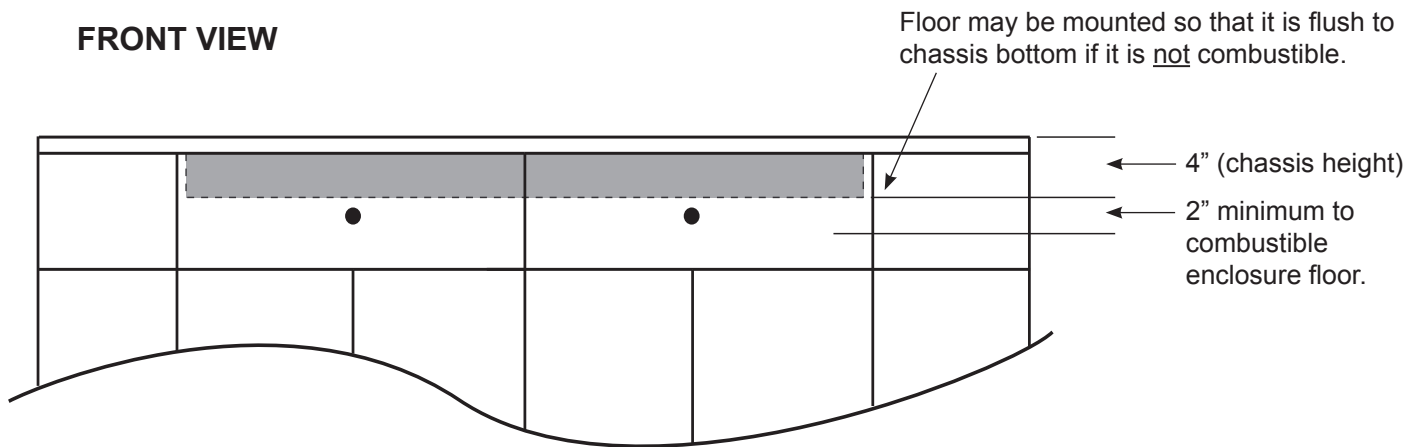
Ventilation Duct Kit PN: ATD323

**INSTALLATION
INSTRUCTIONS**

 **WARNING:** If the cooktop enclosure has a floor directly below the chassis, it must be ventilated.

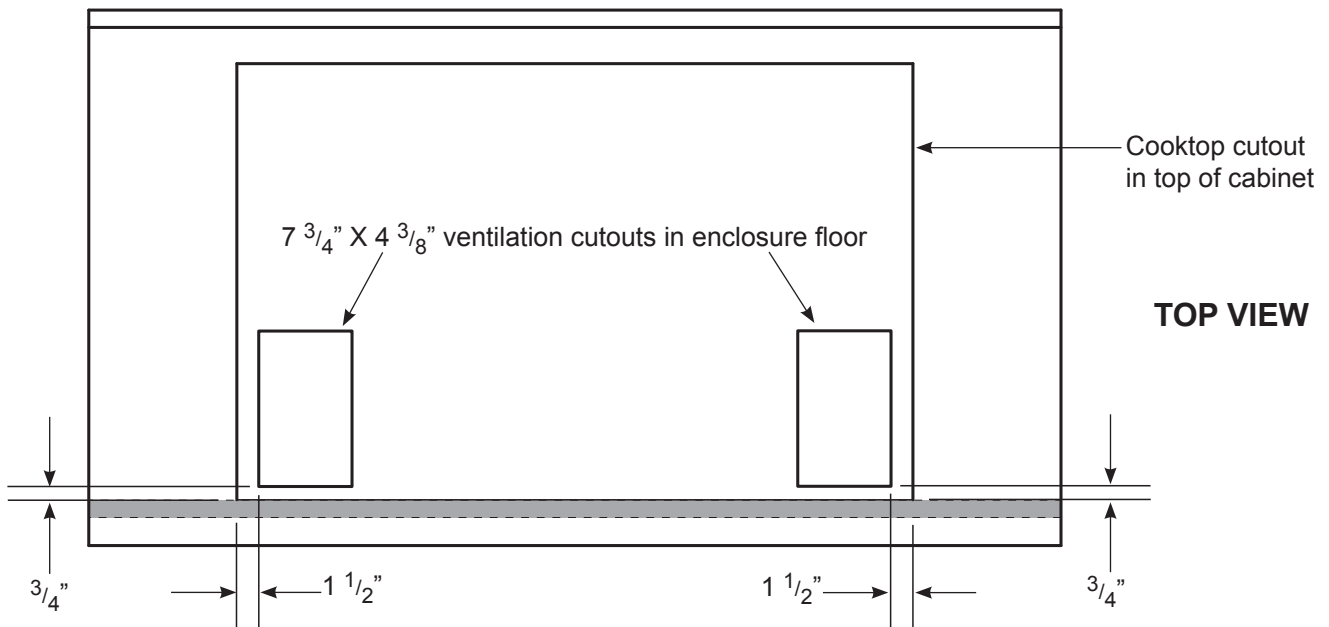
IMPORTANT: These instructions apply only to installations with an enclosed floor directly below the chassis.

STEP 1: Construct or modify the cabinet floor to proper dimensions.

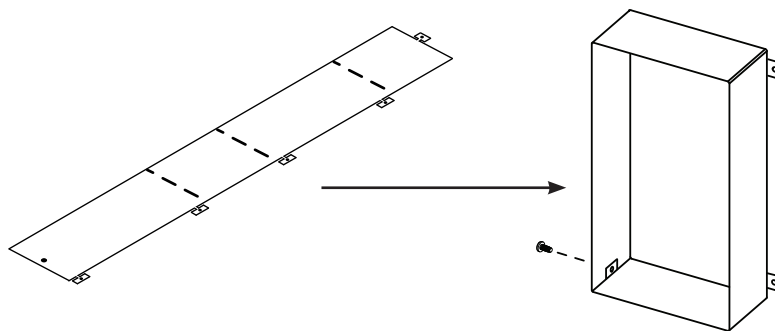


See the cooktop installation instructions for additional dimensions and information.

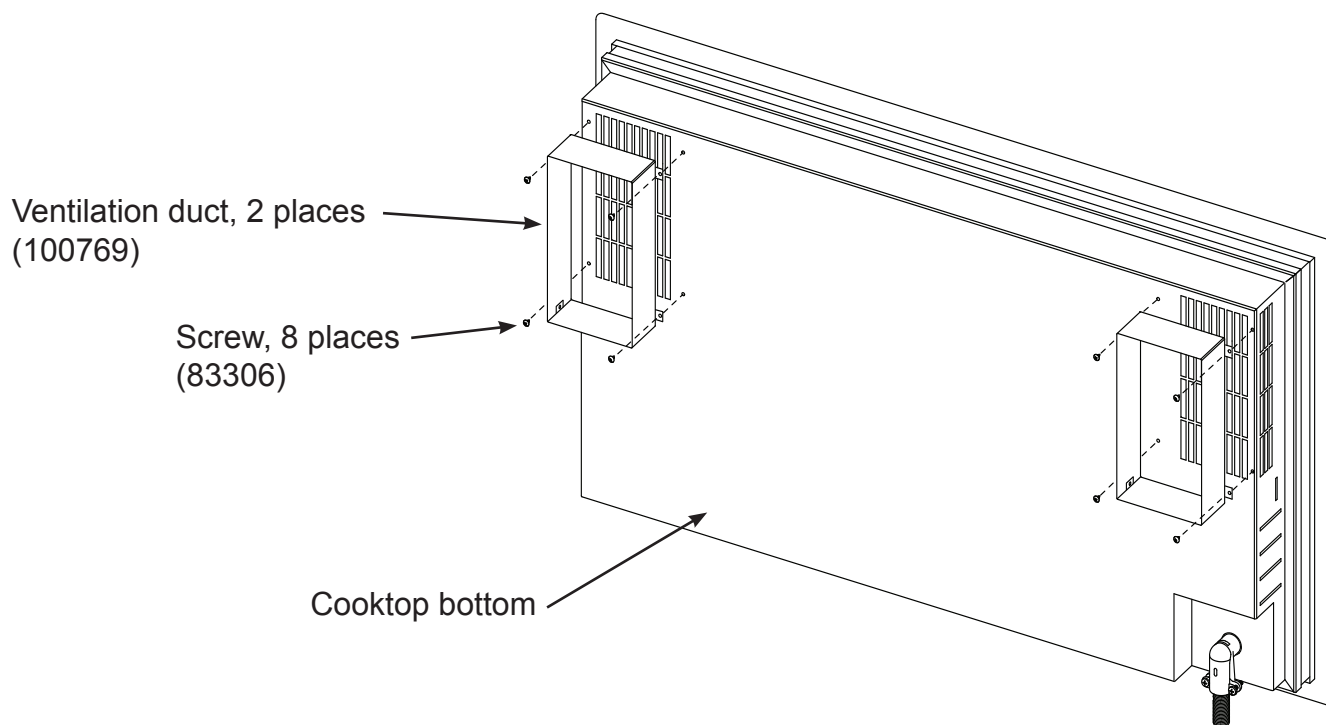
STEP 2: Install ventilation holes in the cabinet floor.



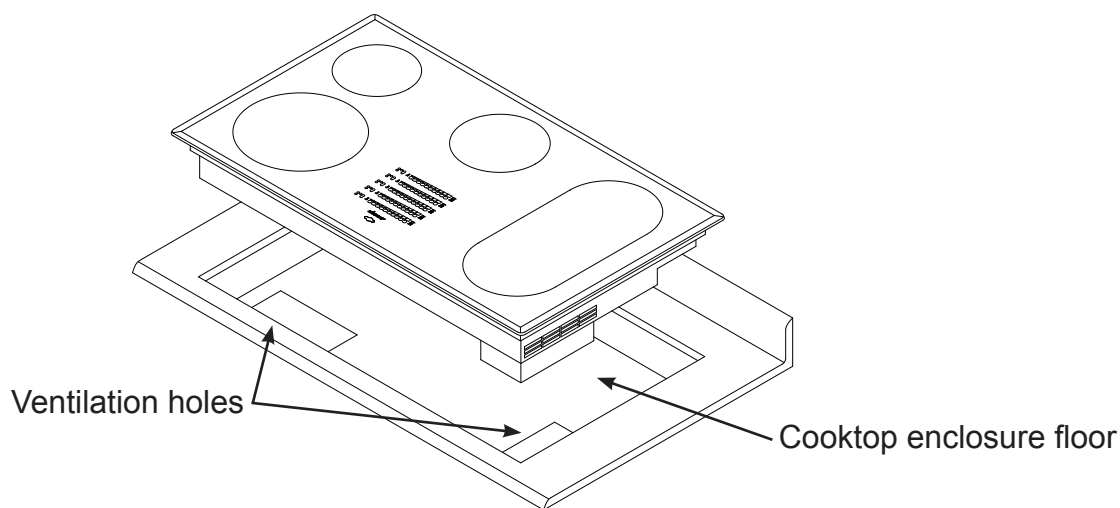
STEP 3: Bend the two provided sheet metal pieces into the shape shown to construct the ventilation ducts. Use one screw each to hold the seams together.



STEP 4: Attach the ventilation ducts as shown below.



STEP 5: Install the cooktop according to the cooktop installation instructions.



dacor[®]
The Life of the Kitchen.[®]