

# CGS995EEL/SEL

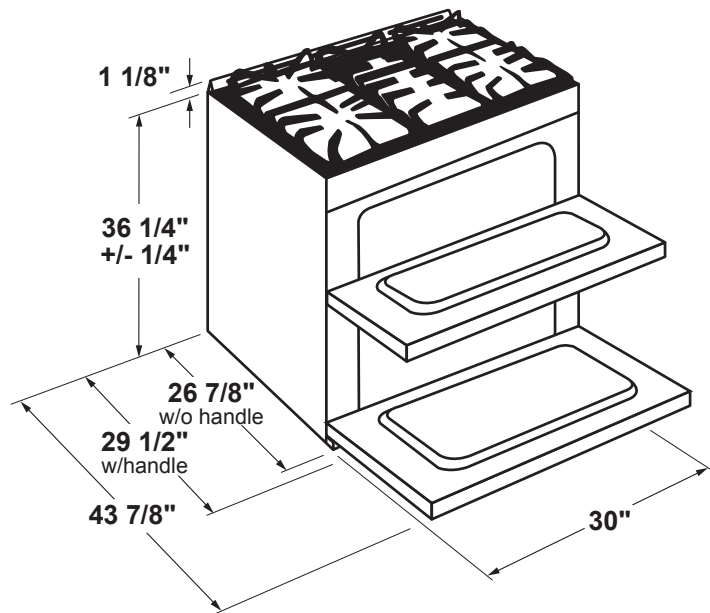
## GE Café™ Series 30" Slide-In Front Control Gas Double Oven with Convection Range

### DIMENSIONS AND INSTALLATION INFORMATION (IN INCHES)

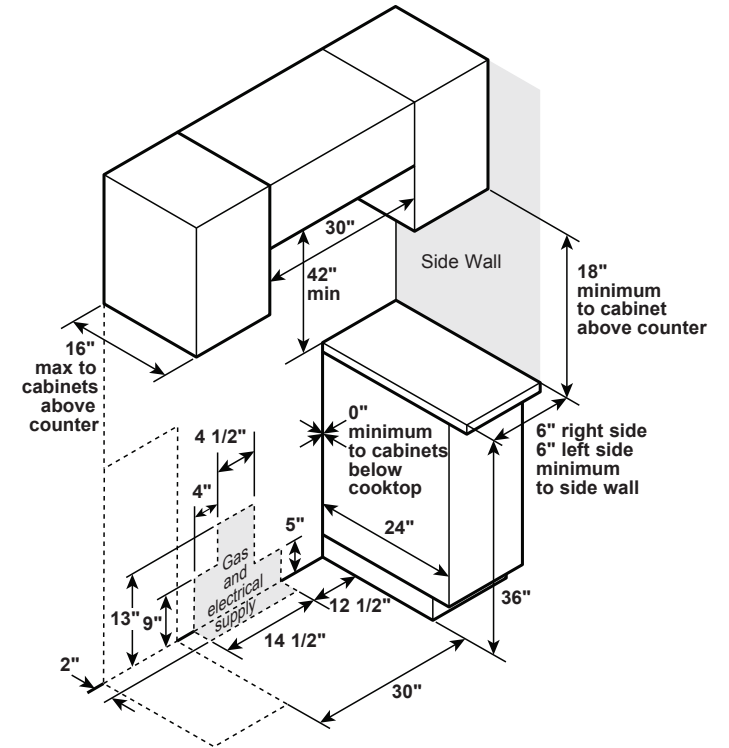
**ELECTRICAL REQUIREMENTS:** 120v; 60Hz, 15A

**INSTALLATION INFORMATION:** Before installing, consult installation instructions packed with product for current dimensional data.

For all installations, install the required rear trim to back of range with 4 screws provided.



### GAS PIPE AND ELECTRICAL OUTLET LOCATIONS



For answers to your Monogram, GE Café™ Series, GE Profile™ Series or GE Appliances product questions, visit our website at [geappliances.com](http://geappliances.com) or call GE Answer Center® Service, 800.626.2000.



All GE ranges are equipped with an Anti-Tip device. The installation of this device is an important, required step in the installation of the range.

# CGS995EEL/SEL

## GE Café™ Series 30" Slide-In Front Control Gas Double Oven with Convection Range

### FEATURES AND BENEFITS

Edge-to-edge, six burner cooktop - A full range of burner options give you everything you need to cook like a pro

Cast-iron integrated griddle - From grilled cheese to pancakes to quesadillas, do it all right on the cooktop

21,000 BTU Tri-ring burner - Versatile burner creates intense heat perfect for searing, frying and sautéing

15,000 BTU Power Boil burner - Delivers high heat for fast boiling

WiFi Connect - Wirelessly control oven functions from your smartphone

Chef Connect - Three options with a single touch. For instant convenience, choose when to automatically sync clocks and the range elements with the microwave's surface light and vent

Self-clean, heavy-duty roller rack - Easily access items with racks that glide smoothly

Temperature Probe - Internal probe allows monitoring of roasts and meats to assure they are thoroughly and accurately cooked without opening the oven door

True European Convection - Achieve delicious results from a third heating element and fan combination

Self-clean with Steam Clean option - Clean your oven the way you want

6.7 cu. ft. total double oven capacity - An upper everyday oven preheats quickly while the larger lower oven is perfect for dinner parties and large meals

Model CGS995EELDS - Black slate

Model CGS995SELSS - Stainless steel



### GUARANTEED FIT

Replace your old 30" free-standing range with a new 30" slide-in model. GE slide-in ranges are guaranteed for an exact fit to make replacement easy

Visit [geappliances.com](http://geappliances.com) for more info

