



Microwave Combination Ovens

FGMC2765P F/B

27" Electric



Product Dimensions

Height	42-3/4"
Width	27"
Depth	24-1/2"

More Easy-To-Use Features

One-Touch™ Keep Warm Setting
Just one touch of a button keeps food warm until everything — and everyone — is ready.

Express-Select® Controls
Easily set cooking temperature or choose one-touch cooking options.

Even Baking Technology
Our Even Baking Technology ensures even baking every time.

Effortless™ Reheat
Reheat almost anything at the touch of a button.

Quick Clean
For a quick, light oven cleaning.

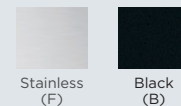
Built with American Pride
Appliances that are high-performing, more accessible, and more innovative than ever — designed, built, and engineered in the U.S.A.

Delay Start
Set your oven to begin cooking on your schedule. It can be programmed from one to 24 hours.

Auto Oven Shut-Off
As an extra safety measure, the oven will automatically shut off after six hours.

Sabbath Mode (Star-K® Certified)

Available in:



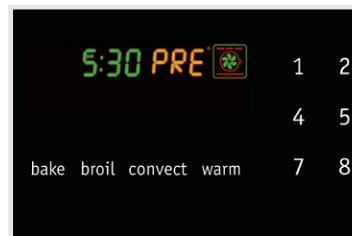
Based on single rack cooking performance, not set temperature, using Quick Preheat.

Signature Features



Effortless™ Convection

Takes the guesswork out of convection cooking — our oven automatically adjusts standard baking temperatures to convection temperatures for consistent results.



Six-Minute Quick Preheat

Preheat in less than six minutes.¹



True Convection

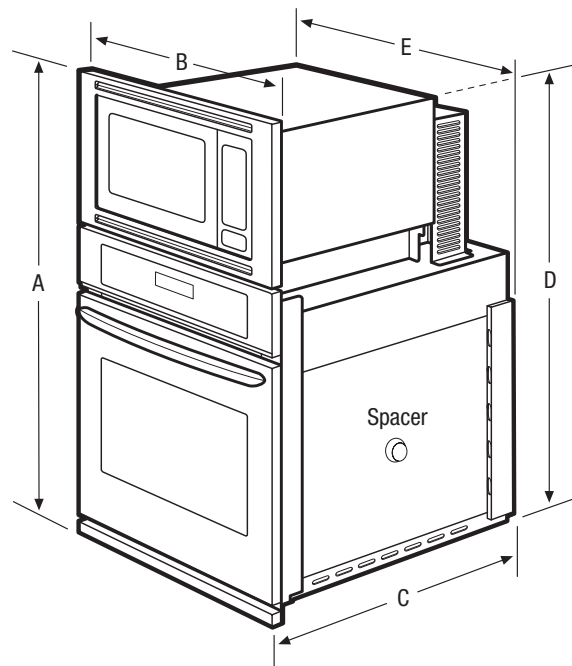
Single convection fan circulates hot air throughout the oven for faster and more even multi-rack baking



Fits-More™ Microwave Oven

Extra-large microwave provides 2.0 cu. ft. of cooking space.

Features	
Control/ Timing System	Express-Select*
Exterior Door Finish	Smudge-Proof™ Stainless Steel (F), Color-Coord. (B)
Handle Design	Stainless Steel (F), Color-Coordinated (B)
Microwave Features	
Microwave Capacity (Cu.Ft.)	2.0
Watts (IEC-705 Test Procedure)	1,200
Window	Large
Interior Light	Yes
Interior Color	White
Turntable Diameter	16"
Turntable On/Off	
Control Lock/ Clock	Yes/ Yes
Touch Pad Buttons/Power Levels	28/10
Microwave Control Options	
Popcorn Button	Yes
Chicken Nugget Button	Yes
Baked Potato Button	Yes
Reheat Button/ Snack Button	Yes/ Yes
Auto Melt/ Soften Options	4
Auto Reheat Options	3
Snack Menu Options	3
Auto Cook Options	3
Auto Defrost Options	6
Keep Warm/ Add-30-Seconds	Yes/ Yes
Sensor Cooking Options	5
Vegetable Cook Sensor	Yes
Delay Start/ User Preferences	Yes/ Yes
Oven Features	
Oven Capacity (Cu. Ft.)	3.8
Oven Window	Extra-Large
Oven Lights	2 Halogen
Hidden Bake Element	Yes
Convection System	True Convection
Baking System	Even Baking Technology
Broiling System	Vari-Broil™
Quick Preheat	Yes
Bake/ Broil Element (Watts)	1,450/ 3,400
Oven Rack Configuration	2 Heavy Duty, 1 Offset Rack
Oven Cleaning System	Self Clean/ Steam Clean
Oven Controls	
Convection Conversion	Effortless™
My Favorite/ Slow Cook	
Effortless™ Temperature Probe	Yes
Chicken Nugget Button/ Pizza Button	
Keep Warm/ Add-a-Minute	Yes/ No
Optional Accessories	
3"-High Bottom Trim - Stainless Steel (F)/ Black (B)	(F) PN# 903114-9015 (B) PN# 903114-9010
10'-Long Armored Power Cable	PN# 903056-9010
Certifications	
Sabbath Mode (Star-K® Certified)	Yes
Specifications	
Microwave Oven Interior (H x W x D)	10-1/2" x 17-3/8" x 18-5/8"
Oven Interior (H x W x D)	17" x 20-1/2" x 18-3/4"
Power Supply Connection Location	Left Bottom Rear
Voltage Rating	240V/ 208V/ 60Hz
Connected Load (kW Rating) @ 240/ 208 Volts¹	6.9/ 5.2
Amps @ 240/ 208 Volts	28.8/ 25
Minimum Circuit Required (Amps)	30
Shipping Weight (Approx.)	215 Lbs.



NOTE: For planning purposes only. Always consult local and national electric codes. Refer to Product Installation Guide for detailed installation instructions on the web at frigidaire.com.



Product Dimensions	
A - Height	42-3/4"
B - Width	27"
C - Depth	24-1/2"
D - Height (Wrapper)	40-15/16"
E - Width (Wrapper)	24-5/8"
Depth with Door Open 90°	45-1/2"

Cutout Dimensions	
Height (Min.) / (Max.)	41-1/8" / 41-1/4"
Width (Min.) / (Max.)	24-7/8" / 25-1/4"
Depth (Min.)	23-1/2"

¹Single phase 3- or 4-wire cable, 120 / 240 or 120 / 208 Volt, 60 Hertz AC only electrical supply with ground required on separate circuit fused on both sides of line.

Accessories information available on the web at frigidaire.com

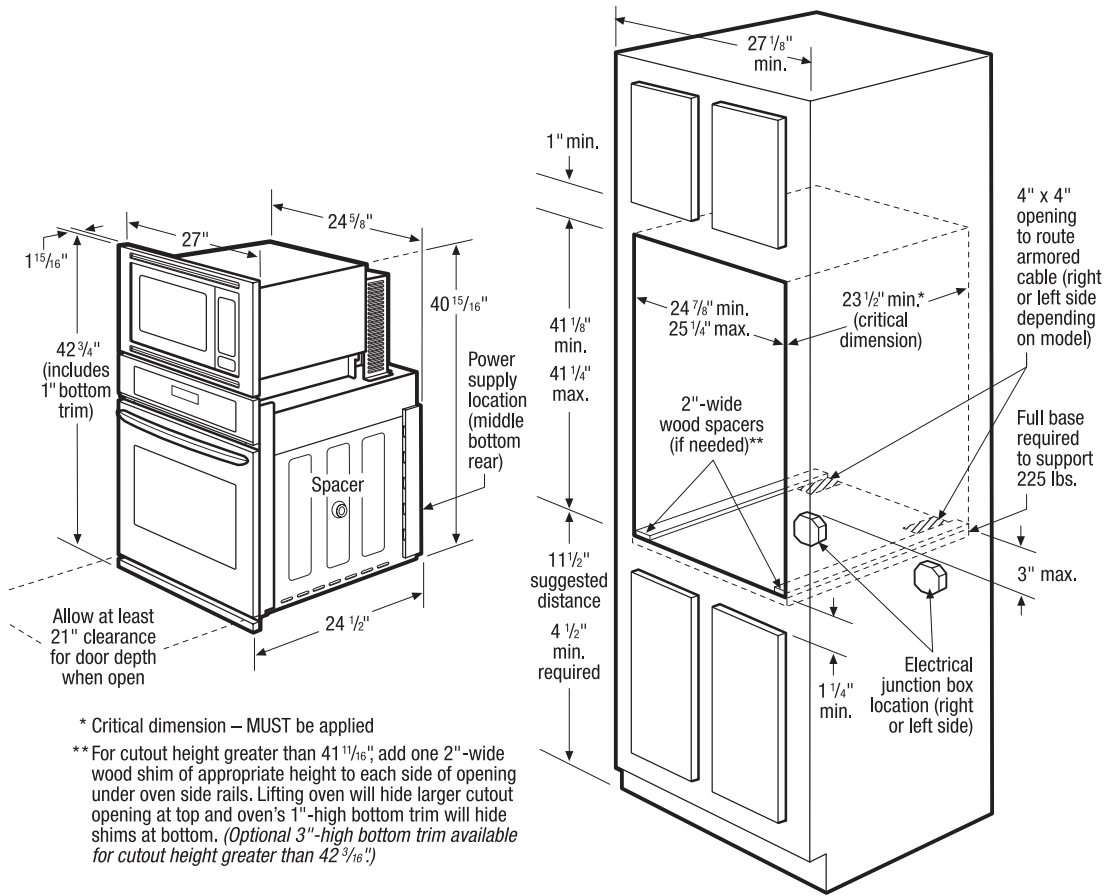
FRIGIDAIRE

USA • 10200 David Taylor Drive • Charlotte, NC 28262 • 1-800-FRIGIDAIRE • frigidaire.com
 CANADA • 5855 Terry Fox Way • Mississauga, ON L5V 3E4 • 1-800-265-8352 • frigidaire.ca

FGMC2765P 09/13

© 2013 Electrolux Home Products, Inc.

Specifications subject to change.



Microwave Combination Oven Specifications

- Product Shipping Weight (approx.) - 215 Lbs.
- Single phase 3- or 4-wire cable, 120/240 or 120/208 Volt, 60 Hertz AC only electrical supply with ground required on separate circuit fused on both sides of line.
- Connected Load (kW Rating) @ 240/208 Volts = 6.9/5.2kW
- Amps @ 240/208 Volts = 28.8/ 25 Amps
- Recommended Circuit Breaker - 30 Amps
- Always consult local and national electric codes.
- Minimum 21" clearance for oven door depth when open.
- Suggested distance from floor is 11-1/2". Minimum required distance is 4-1/2".
- To adapt Microwave Combination Oven to fit cutout height greater than 41-11/16", add one 2"-wide wood shim of appropriate height to each side of opening under oven side rails. Lifting oven will hide larger cutout opening at top and oven's 1"-high bottom trim will hide shims at bottom. (Standard 1"-High Bottom Trim included.)

- To adapt Microwave Combination Oven to fit cutout height greater than 42-3/16", optional 3"-High Bottom Trim available.
- Minimum 23-1/2" deep cutout dimension is critical for proper installation, to ensure that oven's faceplate will fit flush against cabinet front.
- Full oven base of solid plywood or similar material required, capable of supporting 225 Lbs.
- Base must be level and cabinet front must be square.
- Microwave Combination Ovens are NOT approved to be used in stackable or side-by-side installation.

Note: For planning purposes only. Refer to Product Installation Guide on the web at frigidaire.com for detailed instructions.

Optional Accessories

- 3"-High Stainless Steel Bottom Trim - (PN # 903114-901S).
- 3"-High Black Bottom Trim - (PN # 903114-901O).
- 10'-Long Armored Power Cable - (PN # 903056-901O).



Use these dimensions and clearance instructions for planning purposes only. For detailed installation instructions, refer to installation guide, packed with product, or on the web at frigidaire.com.

