



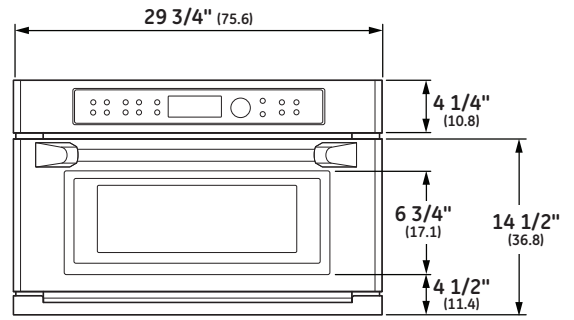
SPECIFICATIONS

Overall Width	29 3/4" (75.6 cm)
Overall Height	19" (48.3 cm)
Overall Depth	21 1/2" (54.6 cm)
Oven Door Clearance	13" (33.0 cm)
Overall Oven Interior Capacity	1.6 cu. ft. (.05 cu. cm)
Oven Interior Dimensions (W x H x D)	20 1/16" x 8 1/2" x 17" (51 cm x 21.6 cm x 43.2 cm)
Minimum Cabinet Width	30" (76.2 cm)
Minimum Cabinet Depth	21 1/2" (54.6 cm)
Minimum Base Support	130 lbs (59 kg)
Cutout Width	25 1/4" (64.1 cm)
Cutout Height	17 1/2" (44.5 cm)
Cutout Depth	21 1/2" (54.6 cm) Min
Voltz/Hertz/Amps	240/208V AC, 60 Hz, 30A
Conduit Length	48" (121.9 cm)
Electrical Rating	4.72 kW at 208V
Total Amps	6.3 kW at 240V
Shipping Weight	87 lbs (39.5 kg)

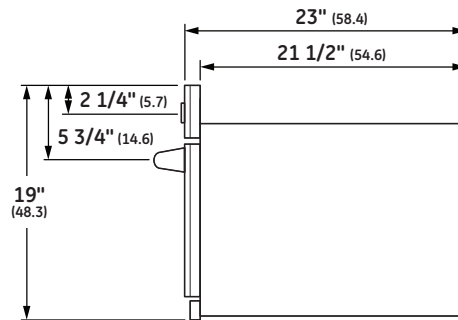
ATTENTION ELECTRICIAN:

A 240/208V, 60Hz, 30 Amp circuit is required. An individual properly grounded branch circuit or circuit breaker is required. Hardware junction box is required for built-in product.

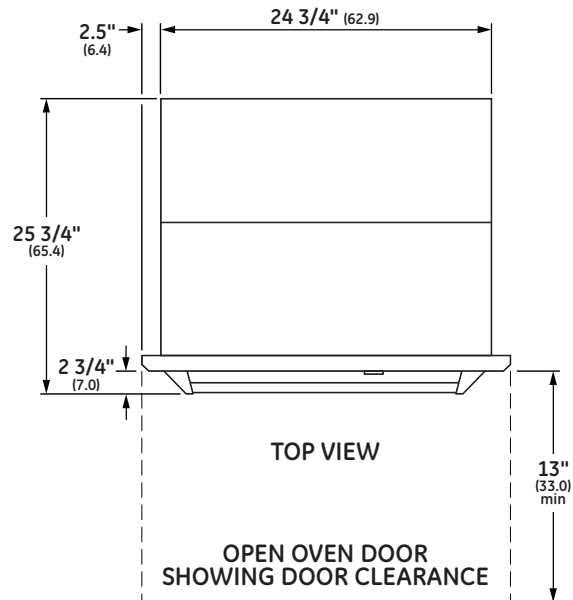
OVERALL DIMENSIONS



FRONT VIEW (SHOWING CUTOUT OVERLAP)



SIDE VIEW

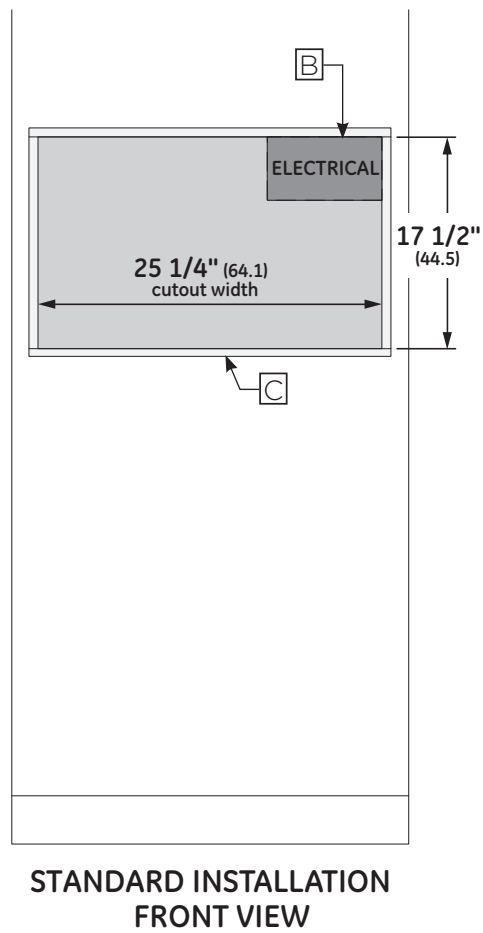
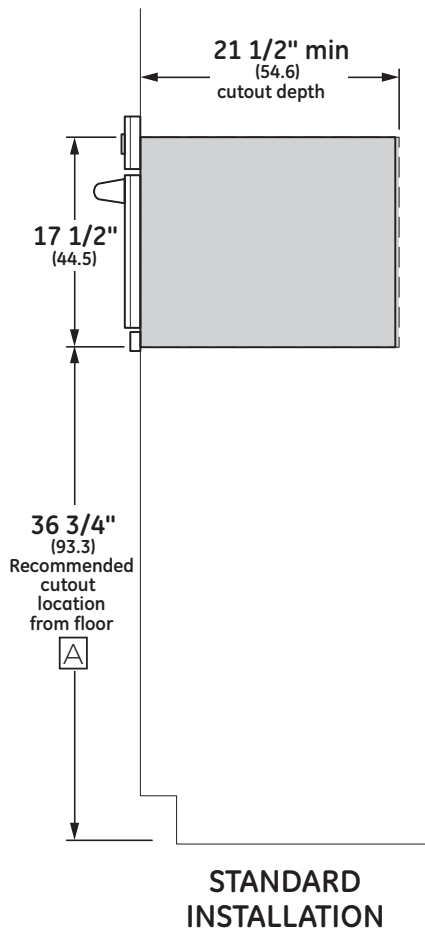


TOP VIEW

OPEN OVEN DOOR SHOWING DOOR CLEARANCE

Dimensions in parentheses are in centimeters unless otherwise noted. Actual product dimensions may vary due to manufacturing tolerances.

WALL INSTALLATION



NOTES

- Ⓐ Based on a user height of 5' 6" to 5' 10"
- Ⓑ Junction box location (May also be located in adjacent cabinet.)
- Ⓒ Platform must be able to support 130 lbs (59 kg)

For more details, refer to the installation instructions for this product on Monogram.com. Dimensions in parentheses are in centimeters unless otherwise noted.



FEATURES AND BENEFITS

FOUR OVENS IN ONE

Speedcook, convection, microwave and warming capabilities

AWARD-WINNING SPEEDCOOK TECHNOLOGY

Delivers oven-quality results up to eight times faster than conventional cooking methods with no preheating

TRUE EUROPEAN CONVECTION MODE

Bakes, roasts and browns foods to perfection

MICROWAVE MODE

Provides a fully functioning sensor microwave that allows fast, precise reheating and defrosting

WARMING MODE

Keeps prepared dishes at ready-to-serve temperatures

LARGE OVEN INTERIOR

Easily accommodates roasts or casserole dishes on a 16" tray that holds a 9" x 13" pan

REMOVABLE OVEN RACK

Allows for multi-level convection baking

PROFESSIONAL, STAINLESS STEEL APPEARANCE

Designed with chamfered edges, a robust tubular handle and die-cast control knob

PREPROGRAMMED RECIPES

Provides quick and easy access to over 175 pre-set food selections and allows programming of up to 30 custom recipes

GLASS TOUCH CONTROLS

Feature a smooth glass design that is easy to operate and easy to clean

