

Dishwashers

FGID2466Q D/F/W/B

24" Built-In



Product Dimensions

Height (Adjustable)	33-1/2" - 35"
Width	24"
Depth (Including Door)	25"

More Easy-To-Use Features

8 Cycles

Adjustable Upper Rack

5 Level Wash

2 Cup Shelves

Integrated with Display

GraniteGrey™ Plastic Tub

Upper Rack Wash Cycle

52 dBA

Signature Features



OrbitClean® Wash System

Exclusive OrbitClean® Spray Arm provides 4 times better water coverage¹ for an excellent clean. And AquaSurge™ Technology adjusts washing pressure based on washing needs.



Quick Wash² 34-Minute Wash

Washes a full load of dishes in a quarter of the time! Perfect solution for those times when you need clean dishes quickly, but have a million things to do.



SaharaDry™ Technology

There's no need to towel-dry before putting dishes away with the fan-assisted SaharaDry™.



Smudge-Proof™ Stainless Steel³

Resists fingerprints and smudges so it's easy to clean.

ENERGY STAR®

NSF® International Certification



Available in:



Black
Stainless
(D)



Stainless
(F)



White
(W)



Black
(B)

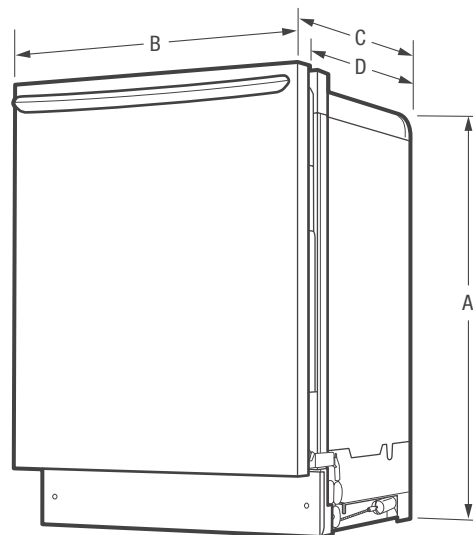
¹ Than a traditional lower spray arm.

² 30 or 34 minutes depending on model, based on normal cycle.

³ Select models only.

Features	
Control Design	Fully-Integrated Express-Select®
Digital Display	Yes
Door Latch/Stay-Put Door Hinge Design	Yes/Yes
Low Rinse-Aid Indicator Light	Yes
Interior Color/Interior Design	Greystone/Tall Tub
Wash System	Direct Feed
Wash Arm	OrbitClean®
Wash Levels/Wash Speeds	5/3
DishSense™ Technology	Yes
AquaSurge™ Technology	Yes
Sound Package	SilentDesign™ 1
Filter/Filter Trap	S. Steel/Removable
Soft Food Disposer	Yes
dB Level	52
Drying System	SaharaDry™
Cycles	
Number of Cycles	8
PowerPlus® (Heavy)	Yes
Normal	Yes
Light	
Quick Wash (34-Min.)	Yes
Favorite	Yes
China Crystal	Yes
Rinse Only	Yes
Energy Saver Plus	Yes
Upper Rack Wash Only	Yes
Cycle Indicator Light/Control Lock	No/Yes
Cycle Complete Floor Beam Indicator	
Options	
Heat/No Heat Dry	Yes/Yes
Hi-Temp Wash	Yes
NSF® Certified Sanitize Rinse	Yes
Delay Start	1-24 Hour
Rack System	
Rack Design	Supreme
Rack Coating	Nylon TufRacks™
Upper Rack -	
Rack Handles	Yes
Stemware/Champagne Glass Holders	Yes
Fold-Down Tines	Yes
Cup Shelves/Stemware Grips	2/No
Versa-Tray™	
Adjustable Rack	Yes
Lower Rack -	
SpaceWise® Silverware Basket	3-Piece Split
Fold-Down Tines	2 Full Rows
Small Items Cover	2
Certifications	
ENERGY STAR®	Yes
NSF® International Certification	Yes
Specifications	
Water Inlet Location	Left Bottom Front
Water Usage (Gallons)	4.9 - 8.5
Water Pressure (PSI)	20 - 120
Integral Air Gap on Supply	Yes
Leveling Legs	4
Power Supply Connection Location	Right Bottom Front
Voltage Rating	120V/60Hz
Connected Load (kW Rating) @ 120 Volts¹	1.20
Amps @ 120 Volts	10
Shipping Weight (Approx.)	83 Lbs.

¹For use on adequately wired 120V, dedicated circuit having 2-wire service with a separate ground wire. Appliance must be grounded for safe operation.



NOTE: For planning purposes only. Always consult local and national electric and plumbing codes. Refer to Product Installation Guide for detailed installation instructions on the web at frigidaire.com.



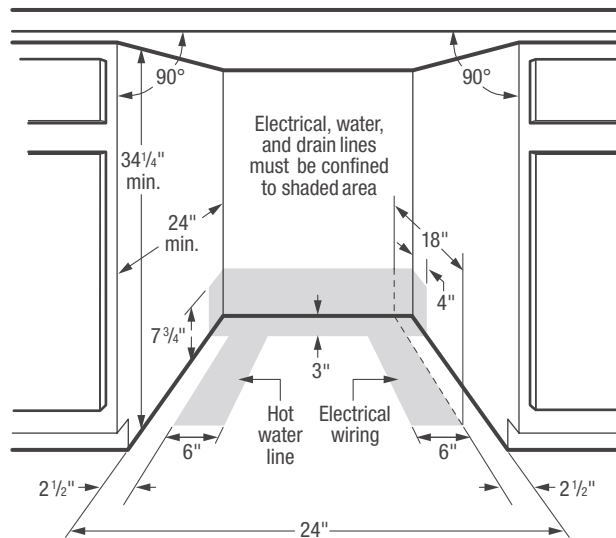
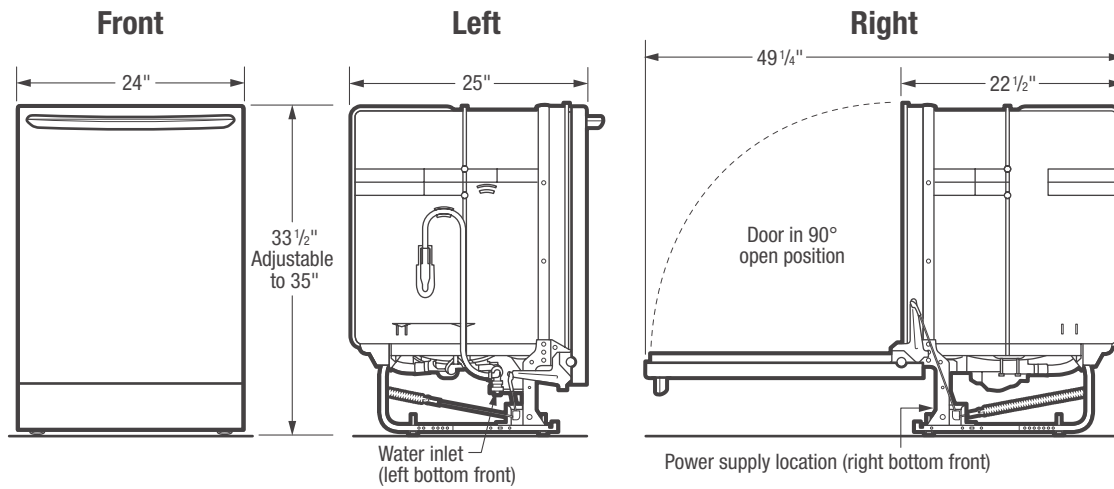
Product Dimensions	
A - Height (Adjustable)	33-1/2" - 35"
B - Width	24"
C - Depth (Including Door)	25"
D - Depth (To Tub Flange)	22-1/2"
Depth with Door Open 90°	49-1/4"

Cutout Dimensions	
Height (Min.)	34-1/4"
Height (Max.)	35-3/4"
Width (Min.)	24"
Depth (Min.)	24"

Accessories information available on the web at frigidaire.com

FRIGIDAIRE

USA • 10200 David Taylor Drive • Charlotte, NC 28262 • 1-800-FRIGIDAIRE • frigidaire.com
CANADA • 5855 Terry Fox Way • Mississauga, ON L5V 3E4 • 1-800-265-8352 • frigidaire.ca



Dishwasher Specifications

- Product Shipping Weight (approx.) - 83 Lbs.
- Voltage Rating - 120V / 60 Hz / 15 Amps (*maximum 20 Amps if connected with disposer*)
- Connected Load (kW Rating) @ 120 Volts = 1.44 kW
(For use on adequately wired 120V, dedicated circuit having 2-wire service with a separate ground wire. Appliance must be grounded for safe operation.)
- Amps @ 120V = 10 Amps
- Always consult local and national electric & plumbing codes. Meets requirements of ASSE 1006 – integral air gap on supply.
- Water Pressure - Hot water line to dishwasher must provide between 20 and 120 pounds per square inch (psi) with at least 120° F hot water temperature.
- Make sure location has correct drain, water and electrical outlets to make connections.
- Electrical and water supplies should enter cabinet opening on floor, or through back or side walls, as shown in shaded areas.
- Keep back free of drain, water & electrical supply.

- Connections preferably located toward left side of dishwasher. Do not cross drain, water or electrical lines in front of motor, blower or frame.
- If connecting drain hose to sink trap, local code may require installation of Air Gap Kit (*not included*).
- Leveling legs supplied to adjust height.
- When installing adjacent to wall, cabinet or other obstruction that extends beyond front edge of unit, allow 2" minimum clearance between opened door and obstruction.
- Floor should be flat and free of obstructions.
- When installing at end of cabinet line, sides and back must be fully enclosed.
- Do not install unit under a cooktop, damage will occur.
- Recommended to seal cabinets, enclosing all sides of dishwasher, including underside of countertop, with oil-based paint or moisture-proof polyurethane to prevent possible steam/moisture damage.

Note: For planning purposes only. Refer to Product Installation Guide on the web at frigidaire.com for detailed instructions.