

# PB960SJ/BJ

## GE Profile™ Series 30" Free-Standing Electric Double Oven Convection Range

### DIMENSIONS AND INSTALLATION INFORMATION (IN INCHES)

#### RECEPTACLE LOCATIONS

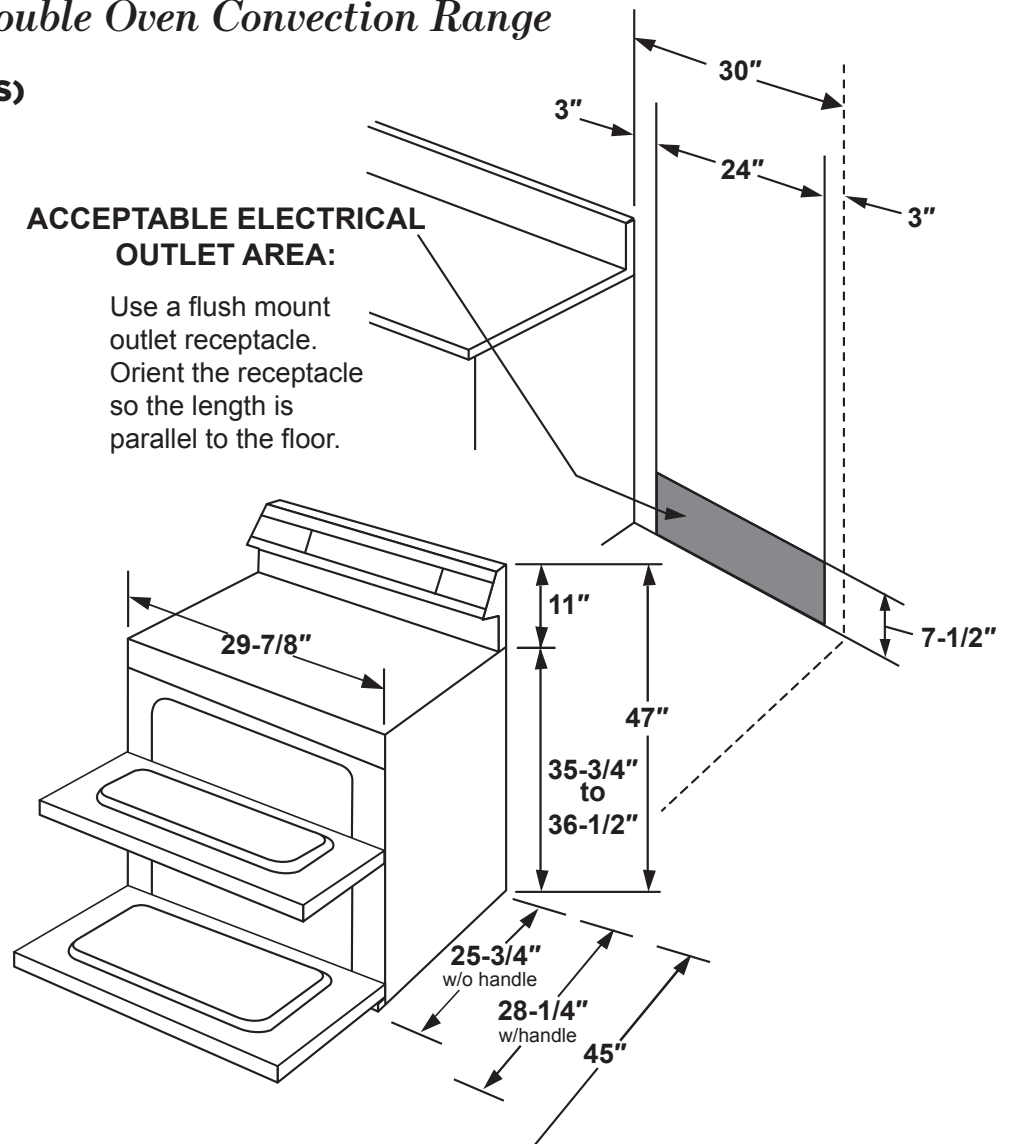
Locally approved flexible service cord or conduit must be used because terminals are not accessible after range installation. See shaded area in drawing for location of electrical outlet box. Recommended outlet locations allow range to be installed directly against wall.

**NOTE:** This appliance has been approved for 0" spacing to adjacent surfaces above the cooktop. However, a 6" minimum spacing to surfaces less than 15" above the cooktop and adjacent cabinet is recommended to reduce exposure to steam, grease splatter and heat.

**INSTALLATION INFORMATION:** Before installing, consult installation instructions for current dimensional data and additional requirements.

KW Rating	
240V	16.0
208V	12.0
Breaker Size	
240V	40 Amps <sup>1</sup>
208V	40 Amps <sup>1</sup>

<sup>1</sup>**NOTE:** Check local codes for required breaker size.



For answers to your Monogram, GE Café™ Series, GE Profile™ Series or GE Appliances product questions, visit our website at [geappliances.com](http://geappliances.com) or call GE Answer Center® Service, 800.626.2000.



All GE ranges are equipped with an Anti-Tip device. The installation of this device is an important, required step in the installation of the range.



Listed by Underwriters Laboratories

# PB960SJ/BJ

## GE Profile™ Series 30" Free-Standing Electric Double Oven Convection Range

### FEATURES AND BENEFITS

Edge-to-edge cooktop - A large, seamless surface makes it easy to wipe away messes

Electronic touch controls - Enjoy easy operation and cleanability with streamlined controls

12"/9"/6" 3,600W Power Boil - Pots and pans fit perfectly on the flexible heating element

Chef Connect - Three options with a single touch. For instant convenience, choose when to automatically sync clocks and the range elements with the microwave's surface light and vent.

Synchronized elements - Control two elements with the touch of a single button and create a larger cooking surface for big cookware like griddles

True European Convection with Precise Air - Enjoy perfectly even results without turning the pan

Fast preheat - Make hot meals in a hurry with less time preheating

8"/5" dual element - Two heating elements in one offer flexibility

Fifth element warming zone - Provides low-heat capability for foods

Hidden bake oven interior - Make cleanup easy by eliminating hard-to-reach areas

Model PB960SJSS - Stainless steel

Model PB960BJTS - Black stainless

