

Café™ 30" Slide-In Front Control Induction and Convection Double Oven Range

C A F É

CHS950P4MW2 / CHS950P3MD1



ALSO AVAILABLE IN



CHS950P3MD1
Matte Black with
Brushed Stainless
handles and knobs



FEATURES & BENEFITS

Take culinary skills to the next level with **Gourmet Guided Cooking**, which combines video-guided recipes from chefs with a system that automatically adjusts the time, temperature and cooking pace for perfect results.

Stun guests by showing off your **11" 3,700-watt induction element**, which uses chef-preferred **induction cooktop technology** to deliver precise heat to cookware only. That means you can do everything from boiling a quart of water in 101 seconds to melting butter at exact temperatures with amazing efficiency.

From everyday gourmet meals to large dinner parties, achieve impressive results with two independent ovens with a total capacity of **7.0 cu. ft.** for true cooking flexibility, along with the accurate heat circulation of **True European Convection with Precise Air** in the lower oven.

Delight guests with the precision of sous vide cooking or perfectly prepared fondues and delicate sauces using a **precision cooking probe** that is sold separately.

Every detail of your kitchen is designed to delight, thanks to a sleek **LED control panel** that visually disappears when not in use and wakes up when prompted. Plus, **backlit knobs** bring an extra sparkle to the kitchen.

Control your oven from any room in the house with your Smart phone using **Wifi Connect**.

Evenly heat large griddles or enamel cookware across **two 8" synchronized elements**.

When you're updating your kitchen, attention to detail is a priority. That's why **Café 30" slide-in ranges are guaranteed for an exact fit** for an easy and seamless replacement of your current 30" free-standing range.

APPEARANCE

| | |
|----------------------------|--|
| Installation | Flush Appearance; Free-standing cut-out |
| Oven Door Features | Big View Oven Window; Easy clean oven door |
| Handle | Professional Style; Customizable; Consumer Removable |
| Textured Steel Side Panels | Yes |

FEATURES

| | |
|--------------------------------------|--|
| Configuration | Double Oven Range |
| Cooking System | True European Convection with Precise Air |
| Cooking Technology | Traditional Upper; Convection Lower |
| Oven Cleaning Type | Self-Clean with Steam Clean Option |
| Cooktop Burner Type | Induction |
| Cooktop Surface | Edge-to-Edge; Black Patterned Ceramic Glass |
| Control Location | Front controls |
| Control Type | Digital Temperature Display; Electronic; Touchpads |
| Oven Control Features | Audible Preheat Signal; Auto Oven Shut-Off with Override; Auto Recipe Conversion; Auto Self Clean; C° or F° Programmable; Certified Sabbath Mode; Chef Connect; Control Lock Capability; Delay Bake Option (Time Cook); Delay Clean Option; Electronic Clock & Kitchen Timer; Fast Preheat; Hi / Low Broil; Oven "ON" Light; Self-Clean Cool Down Time Display; Temperature Probe; Warm Mode |
| Oven Cooking Modes | Convection Bake; Convection Roast |
| Oven Features | 6-Pass Broil Element (Upper); 8-Pass Broil Element (Lower); Hidden Bake (Both Ovens) |
| Self-Clean Oven Door Lock | Automatic |
| Oven Rack Features | 2 Self-Clean Heavy-Duty Oven Racks; 1 Self-Clean Heavy-Duty Roller Rack; 6 Rack Positions |
| Oven Interior | Black; 2 Incandescent |
| Connected Capabilities | Amazon Alexa; The Google Assistant; Hestan Cue; IFTTT; Nest; Drop; Innit; DiGiorno |
| WiFi Connect | Built-In |
| Element - Left Front | 8" 2500W Sync Element |
| Element - Left Rear | 8" 2500W Sync Element |
| Element - Right Front | 11" 3700W Power Boil |
| Element - Right Rear | 6" 1800W |
| Element - Center | 6" 100W Warming Zone |
| Hot Surface Indicator Lights | 1 |
| Heating Element "ON" Indicator Light | 5 |

CAPACITY

| | |
|-----------------------------|-----------------------|
| Total Capacity (cubic feet) | 7.0 cu ft |
| Capacity (cubic feet) | 2.7 Upper / 4.3 Lower |

ACCESSORIES

| | |
|------------------|-----------------------|
| Trim Kit | Optional; JXFILLR1BB |
| Cooktop Cleaning | Cream Sponge Included |
| Probe Accessory | Optional; JXPROBE1 |

WEIGHTS & DIMENSIONS

| | |
|--|--|
| Depth with Door Open | 43-7/8 in |
| Approximate Shipping Weight | 256 lb |
| Net Weight | 236 lb |
| Height to Top of Rear Vent Trim | 37-3/8 in |
| Overall Height | 37-3/8 in |
| Height to Cooking Surface (in.) | 36-1/4 +/- 1/4 |
| Overall Width | 29-7/8 in |
| Cabinet Width | 30 in |
| Overall Depth | 29-1/2 in |
| Depth Without Handle | 26-7/8 in |
| Oven Interior Dimensions (W x H x D) (in.) | 24 x 10-1/8 x 19-1/8 - Upper 24 x 15 x 20-5/8 - Lower |

Café™ 30" Slide-In Front Control Induction and Convection Double Oven Range



CHS950P4MW2 / CHS950P3MD1

POWER / RATINGS

| | |
|--------------------|---------------------------|
| Amp Rating at 208V | 40 |
| Amp Rating at 240V | 40 |
| Convection Wattage | 2500W |
| Bake Wattage | 2650W Upper / 2650W Lower |
| Broiler Wattage | 3000W Upper / 3600W Lower |
| KW Rating at 208V | 12.6 |
| KW Rating at 240V | 15.2 |

WARRANTY

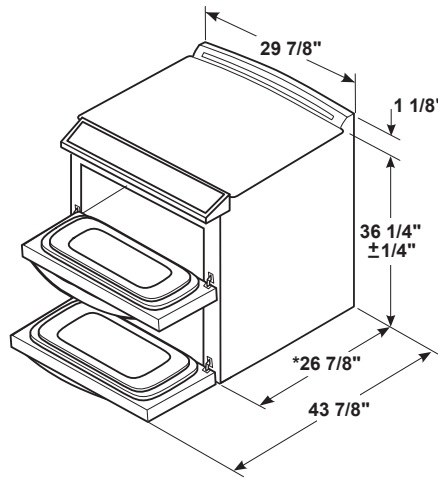
| | |
|----------------|---------------------------------|
| Parts warranty | Limited 1-year entire appliance |
| Labor warranty | Limited 1-year entire appliance |

DIMENSIONS

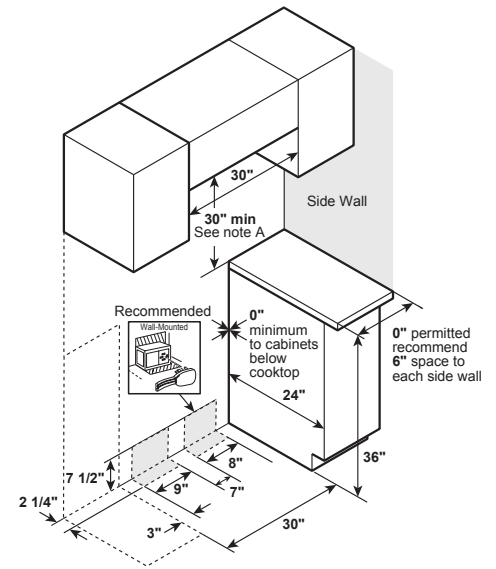
Receptacle Locations: Locally approved flexible service cord or conduit must be used because terminals are not accessible after range installation. See shaded area in drawing for location of electrical outlet box. Recommended outlet locations allow range to be installed directly against rear wall.

Note: This appliance has been approved for 0" spacing to adjacent surfaces above the cooktop. However, a 6" minimum spacing to surfaces less than 15" above the cooktop and adjacent cabinet is recommended to reduce exposure to steam, grease splatter and heat.

Installation Information: Before installing, consult installation instructions for current dimensional data and additional requirements.



*Depth including door handle is approximately 29-1/2".



Note A: 30" Minimum to bare cabinet, see installation instructions heights less than 30"

ADDITIONAL ACCESSORIES



CXFCHHKPMBZ
Brushed Bronze
2 handles; 6 knobs
(standard on Matte White)



CXFCHHKPMS
Brushed Stainless
2 handles; 6 knobs
(standard on Matte Black)



CXFCHHKPMBT
Brushed Black
2 handles; 6 knobs



CXFCHHKPMCU
Brushed Copper
2 handles; 6 knobs



JXPROBE1
Probe Accessory