

Dishwashers

FFBD2412S S/M/W/B

24" Built-In



Product Dimensions

Height (Adjustable)	33-1/2" - 35"
Width	24"
Depth (Including Door)	25"

More Easy-To-Use Features

NSF®-Certified

Sanitize cycle removes 99.9% of common household bacteria.

ENERGY STAR®-Certified

Maximize your energy and dollar savings with ENERGY STAR®-Certified Appliances.

Delay Start

Set your dishwasher to run on your schedule. It can be set to run 2, 4 or 6 hours in advance.

Stemware Holders & 2 Cupshelves

Keep cups and glasses organized and in place.

Fits up to 14 Place Settings

Cleans 14 place settings in one cycle.

Quiet

Run your dishwasher while you're in the same room. It runs at 55 dBA.

5 Wash Cycles

4 Wash Options

Signature Features

Excellent Washing System

Our dual spray arm system gives you a thorough clean every time.

Energy Saver Plus Cycle

Eco-Friendly cycle uses less energy without compromising cleaning performance.

Built with American Pride

Designed, engineered and assembled in the U.S.A.

SpaceWise® Silverware Basket

There's a place for all of your silverware in our multi-compartment, removable basket.

ENERGY STAR®
NSF® International
Certification

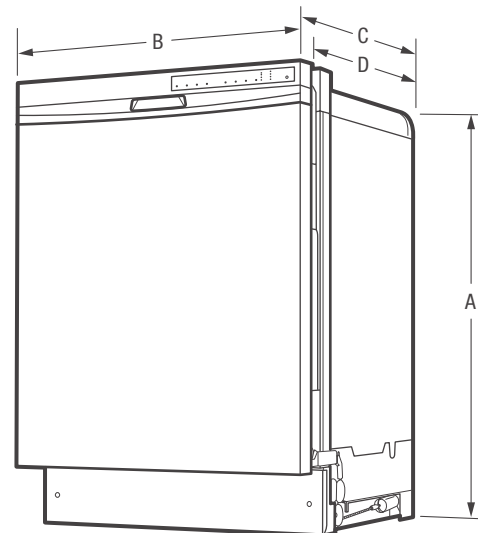


Available in:



Features	
Control Design	Ready-Select®
Digital Display	
Door Latch	Pull Latch
Stay-Put Door Hinge Design	
Low Rinse-Aid Indicator Light	
Interior Design	Tall Tub
Interior Color	White
Wash System	Direct Feed
Wash Levels/Wash Speeds	5/1
Sound Package	Ultra Quiet III
Filter	Plastic
Filter Trap	Removable
Soft Food Disposer	Yes
dB Level	55
Drying System	Effortless™ Dry
Cycles	
Number of Cycles	5
Heavy	Yes
Normal	Yes
Light	Yes
Quick	
Favorite	
China/Crystal	
Rinse Only	Yes
Energy Saver Plus	Yes
Upper Rack Wash Only	
Pots and Pans	
Cycle Indicator Light	
Control Lock	Yes
Options	
Heat/No Heat Dry	Yes
Hi-Temp Wash	Yes
NSF® Certified Sanitize Rinse	Yes
Delay Start	2-4-6 Hour
Rack System	
Rack Design	Better
Rack Coating	PVC
Upper Rack -	
Stemware/Champagne Glass Holders	
Fold-Down Tines	
Cup Shelves	2
Lower Rack -	
SpaceWise® Silverware Basket	Ultra 1
Fold-Down Tines	
Small Items Cover	
Certifications	
ENERGY STAR®	Yes
NSF® International Certification	Yes
Specifications	
Water Inlet Location	Bottom Left
Water Usage (Gallons)	4.9 - 8.5
Water Pressure (PSI)	20 - 120
Integral Air Gap on Supply	Yes
Leveling Legs	4
Power Supply Connection Location	Right Bottom Front
Voltage Rating	120V/60Hz
Connected Load (kW Rating) @ 120 Volts¹	1.20
Amps @ 120 Volts	10.0
Shipping Weight (Approx.)	83 Lbs.

¹For use on adequately wired 120V, dedicated circuit having 2-wire service with a separate ground wire. Appliance must be grounded for safe operation.



NOTE: For planning purposes only. Always consult local and national electric and plumbing codes. Refer to Product Installation Guide for detailed installation instructions on the web at frigidaire.com.



Product Dimensions		Cutout Dimensions	
A - Height (Adjustable)	33-1/2" - 35"	Height (Min.)	34-1/4"
B - Width	24"	Height (Max.)	35"
C - Depth (Including Door)	25"	Width (Min.)	24"
D - Depth (To Tub Flange)	22-1/2"	Depth (Min.)	24"
Depth with Door Open 90°	49-1/4"		

Accessories information available on the web at frigidaire.com

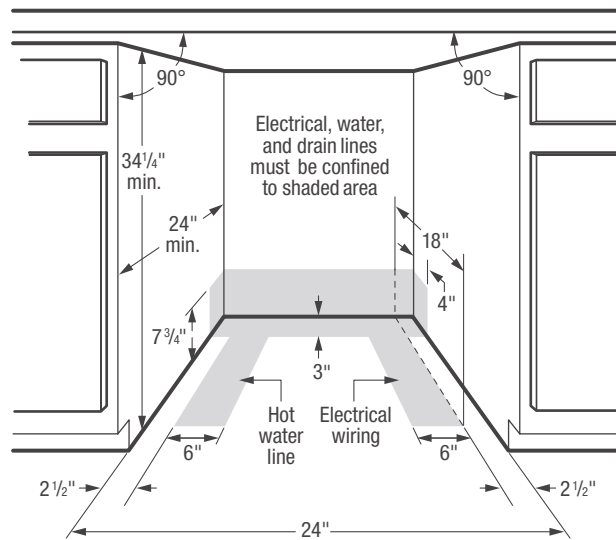
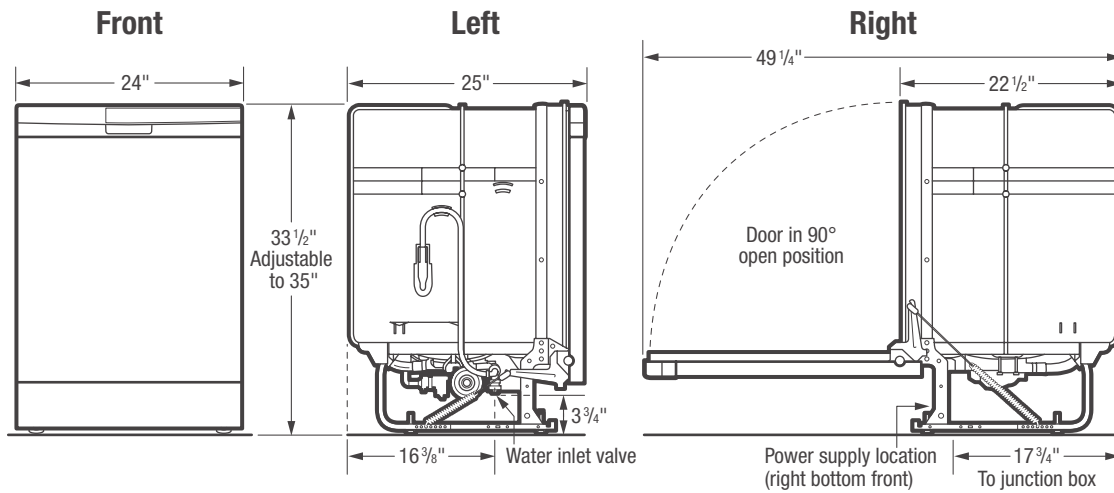
FRIGIDAIRE

USA • 10200 David Taylor Drive • Charlotte, NC 28262 • 1-800-FRIGIDAIRE • frigidaire.com
 CANADA • 5855 Terry Fox Way • Mississauga, ON L5V 3E4 • 1-800-265-8352 • frigidaire.ca

FFBD2412S 03/17

© 2017 Electrolux Home Products, Inc.

Specifications subject to change.



Dishwasher Specifications

- Product Shipping Weight (approx.) - 83 Lbs.
- Voltage Rating - 120V / 60 Hz / 15 Amps (maximum 20 Amps if connected with disposer)
- Connected Load (kW Rating) @ 120 Volts = 1.20 kW (For use on adequately wired 120V, dedicated circuit having 2-wire service with a separate ground wire. Appliance must be grounded for safe operation.)
- Amps @ 120V = 10 Amps
- Always consult local and national electric & plumbing codes. Meets requirements of ASSE 1006 – integral air gap on supply.
- Water Pressure - Hot water line to dishwasher must provide between 20 and 120 pounds per square inch (psi) with at least 120° F hot water temperature.
- Make sure location has correct drain, water and electrical outlets to make connections – MUST be confined to shaded areas.
- Electrical and water supplies should enter cabinet opening on floor, or through back or side walls, as shown in shaded areas.
- Keep back free of drain, water & electrical supply.
- Connections preferably located toward left side of dishwasher. Do not cross drain, water or electrical lines in front of motor, blower or frame.

- If connecting drain hose to sink trap, local code may require installation of Air Gap Kit (not included).
- When installing adjacent to wall, cabinet or other obstruction that extends beyond front edge of unit, allow 2" minimum clearance between opened door and obstruction.
- Floor should be flat and free of obstructions with carpet removed to provide motor clearance.
- When installing at end of cabinet line, sides and back must be fully enclosed.
- Do not install unit under a cooktop, damage will occur.
- Recommended to seal cabinets, enclosing all sides of dishwasher, including underside of countertop, with oil-based paint or moisture-proof polyurethane to prevent possible steam/moisture damage.
- Once installation is complete, Cabinet Seal Kit (PN# 154528701) available to seal between unit and cabinets.

Note: For planning purposes only. Refer to Product Installation Guide on the web at frigidaire.com for detailed instructions.

Optional Accessories

- Cabinet Seal Kit (PN# 154528701).