

GTW460ASJ

GE Appliances 4.2 DOE Cu. Ft. Capacity Stainless Steel Basket Washer

DIMENSIONS AND INSTALLATION INFORMATION (IN INCHES)

CIRCUIT REQUIREMENTS: An individual, properly-grounded branch circuit, with a three-prong grounding-type receptacle, protected by a 15 or 20 amp circuit breaker or a time-delay fuse, is required.

ELECTRICAL RATING:

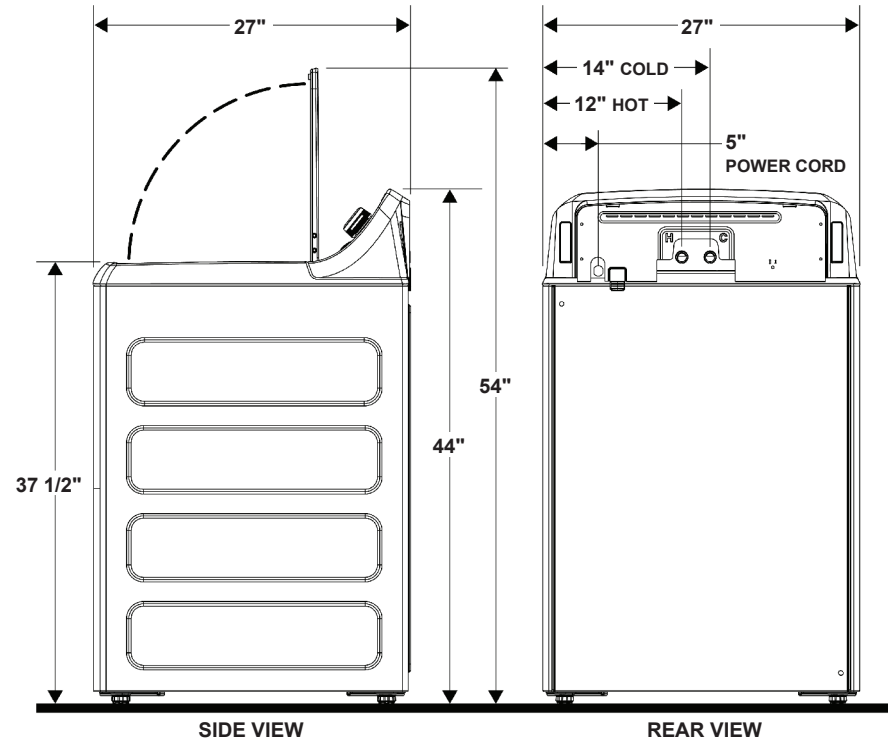
120V, 60Hz, 10A

WASHER NOTE:

Washer wall outlet must be located within 36" of service cord entry. Wall outlet must not be located behind dryer.

INSTALLATION INFORMATION:

Before installing, consult installation instructions packed with your washer.



For answers to your Monogram, GE Café™ Series, GE Profile™ Series or GE Appliances product questions, visit our website at geappliances.com or call GE Answer Center® Service, 800.626.2000.



Specification Revised 5/16

GTW460ASJ

GE Appliances 4.2 DOE Cu. Ft. Capacity Stainless Steel Basket Washer

FEATURES AND BENEFITS

Deep Fill – Customize your water-fill levels with just the touch of a button. Add a little extra or fill the tub to wash the way you want

Dual-action agitator – Powerful reversing wash action rotates your laundry for a thorough clean every time

Precise Fill with option of 4 water level selections – Select your preferred load size for the desired water level or let the machine automatically sense the load and add the amount of water needed to ensure great cleaning results

Auto Soak – Loosens stains by soaking up to 2 hours

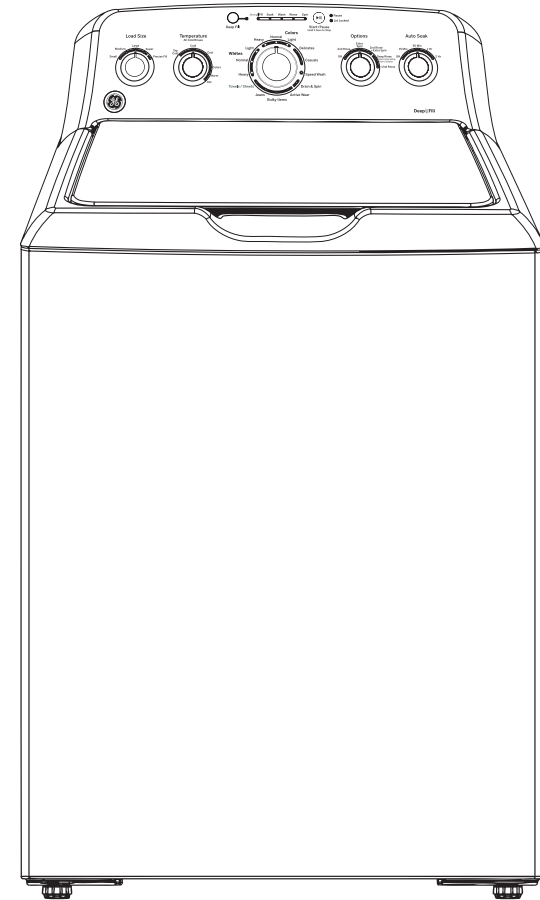
Deep Rinse – When selected, the deep rinse cycle ensure clothes are rinsed of soap residue and fabric softener

Speed Wash – Provides a quick wash for lightly soiled items that are needed in a hurry

Rotary electronic controls with cycle status lights – Know the progress of the wash cycle with just a quick glance

700RPM spin speed – Fast spin speeds remove water efficiently and minimize dry time

Model GTW460ASJWW – White



MODIFIED ENERGY FACTOR (IMEF)	1.35
WATER FACTOR (IWF)	7.0

