

SERVICE DATA SHEET

PERFORMANCE DATA

NO LOAD & NO DOOR OPENINGS AT MID-POINT CONTROL SETTING

Capacitor Run or Induction Run	65° F (18° C) Ambient
Operating Time	25 to 35%
Freezer Temperature	2° to 8° F (-17° to -13° C)
Refrigerator Temperature	35° to 40° F (2° to 4° C)
Low Side Pressure (cut-in)	8 to 16 psig (55 to 110 kPa)
Low Side Pressure (cut-out)	1 to 4 psig (7 to 28 kPa)
High Side Pressure (last 1/3 cycle)	110 to 120 psig (758 to 827 kPa)
Wattage (last 1/3 cycle)	90 to 140
Amps (running)	0.7 to 1.2
Base Voltage	115 vac (127 vac max)

DEFROST SPECIFICATIONS

Cabinet Size	Thermostat	Ohms
	Cut-out	
10.1' & 11.6'	45° F (7° C)	4589

Electronic Timer (ADC) - Defrost up to **60** minutes every **6-25** hours of compressor run time.

IMPORTANT SAFETY NOTE

The information provided herein is designed to assist qualified repair personnel only. Untrained persons should not attempt to make repairs due to the possibility of electrical shock. Disconnect power cord before servicing this appliance.

IMPORTANT

If any green grounding wires are removed during servicing, they must be returned to their original position and properly secured.

NOTE

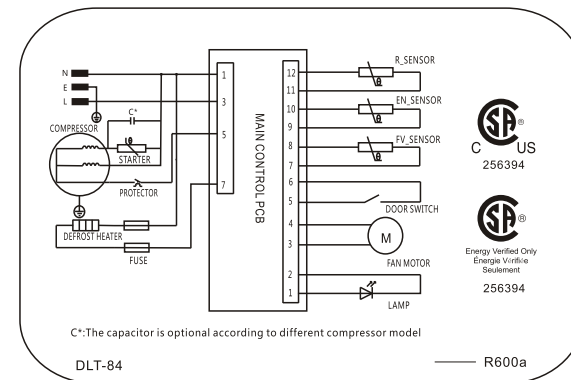
Some products come equipped with an Electronic Defrost Control. To initiate defrost, depress the fresh food light switch 5 times in 6 seconds (light bulb must be working). To terminate defrost, depress the fresh food light switch 5 times in 6 seconds.

⚠ CAUTION

All electrical parts and wiring must be shielded from torch flame. DO NOT allow torch to touch insulation; it will char at 200° F and flash ignite (burn) at 500° F. Excessive heat will distort the plastic liner.

IMPORTANT

PLEASE RETURN THIS SHEET TO ITS ORIGINAL LOCATION.



C*: The capacitor is optional according to different compressor model

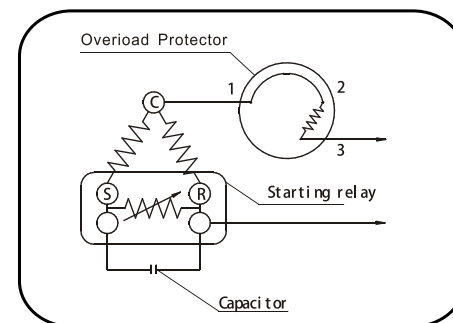
MODELS

FFET1022UB / FFET1022UW
FFET1022UV / FFTR1022UW
FFTR1022UV

FFET1222UW / FFET1222UB
FFET1222UV / FFTR1222UW
FFTR1222UV

Refrigerator-Freezers
- Automatic Defrost
- Top-Mounted Freezer
- No Through-the-Door Ice Service

COMPRESSOR WIRING



TH1112HY / TX1112HY

FD-08-01