

## Apartment Refrigerators

FFET1222Q W/B

Frost Free  
11.5 Cu. Ft. Top Mount



### Signature Features

#### Store-More™ Freezer

Easy-to-access freezer includes a shelf and door racks.

#### Independent Temperature Controls

#### SpaceWise® Adjustable Glass Shelves

Easily adjust shelves up and down to create more space for taller items.

#### Store-More™ Clear Crisper Drawers

Keep your fruits and vegetables fresh in our crisper drawers.

### Product Dimensions

A - Height	59-7/8"
B - Width	24"
C - Depth (Including Door)	28-3/4"
D - Depth with Door Opened 90°	50-1/2"

### More Easy-To-Use Features

#### Ready-Select® Controls

**Store-More™ Gallon Door Shelf**  
Door storage gives you room for larger items like a gallon of milk.

**Store-More™ Door Bins**  
Door bins provide ample storage.

**Full-Width Freezer Racks**  
Enjoy more usable space and better organization.

**Color-Coordinated Door Handle**

**Color-Coordinated Smooth Cabinet Finish**

**Bright Lighting**  
Our bright lighting makes it easy to see what's inside.

**Color-Coordinated Door Hinge Covers**

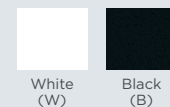
**Reversible Door-Swing Option**  
Door can be installed to open left or right based on your needs.

**A.D.A. - Compliant<sup>1</sup>**  
With accessible shelving, and controls that are positioned within arm's reach and allow one-hand operation, our top-freezer refrigerator is A.D.A.-Compliant.

ENERGY STAR®



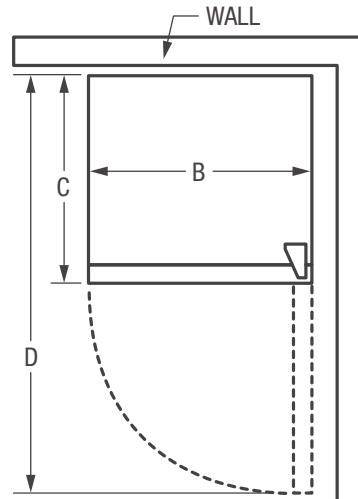
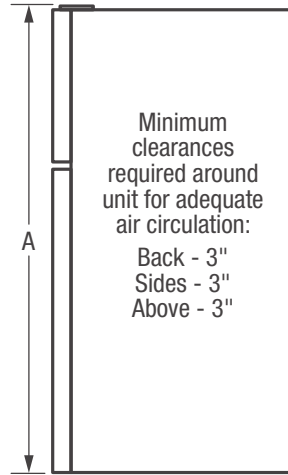
Available in:



<sup>1</sup>When properly installed, this model is A.D.A.-qualified based on the Uniform Federal Accessibility Standards, the United States Access Board's A.D.A./A.B.A. Accessibility Guidelines, and the Department of Justice's 2010 A.D.A. Standards for Accessible Design, exclusive of the auxiliary airflow adjustment mechanism in the freezer, which is factory pre-set for optimal energy performance.

<b>Features</b>	
Cubic Feet (Cu.Ft.)	11.5
Defrost	Frost-Free
<b>Exterior</b>	
Door Color	Color-Coordinated
Cabinet Color	Color-Coordinated
Door Handle	Integrated
Door Stops	Yes
Reversible Door	Yes
<b>Interior</b>	
Controls	Ready-Select*
Lighting	Bright
Refrigerator Shelves	2 SpaceWise® Adjustable Glass/1 Fixed Glass
Store-More™ Crisper Drawers	2 Clear
Door Bins	2 Full-Width White
Door Racks	1 Full-Width White
Gallon Door Storage	1
Tall Bottle Storage	
Freezer Racks	2 Full-Width White
Freezer Shelves	1 SpaceWise® Adjustable Wire
Cabinet Liner	White
<b>Certifications</b>	
A.D.A. - Compliant <sup>1</sup>	Yes
ENERGY STAR®	Yes
<b>Specifications</b>	
Total Capacity (Cu.Ft.)	11.5
Refrigerator Capacity (Cu.Ft.)	8.4
Freezer Capacity (Cu.Ft.)	3.1
Power Supply Connection Location	Right Bottom Rear
Voltage Rating	115V / 60Hz / 15A
Minimum Circuit Required (Amps)	15
Shipping Weight (Approx.)	150 Lbs.
Installation Type	Freestanding

<sup>1</sup>When properly installed, this model is A.D.A.-qualified based on the Uniform Federal Accessibility Standards, the United States Access Board's A.D.A./A.B.A. Accessibility Guidelines, and the Department of Justice's 2010 A.D.A. Standards for Accessible Design, exclusive of the auxiliary airflow adjustment mechanism in the freezer, which is factory pre-set for optimal energy performance.

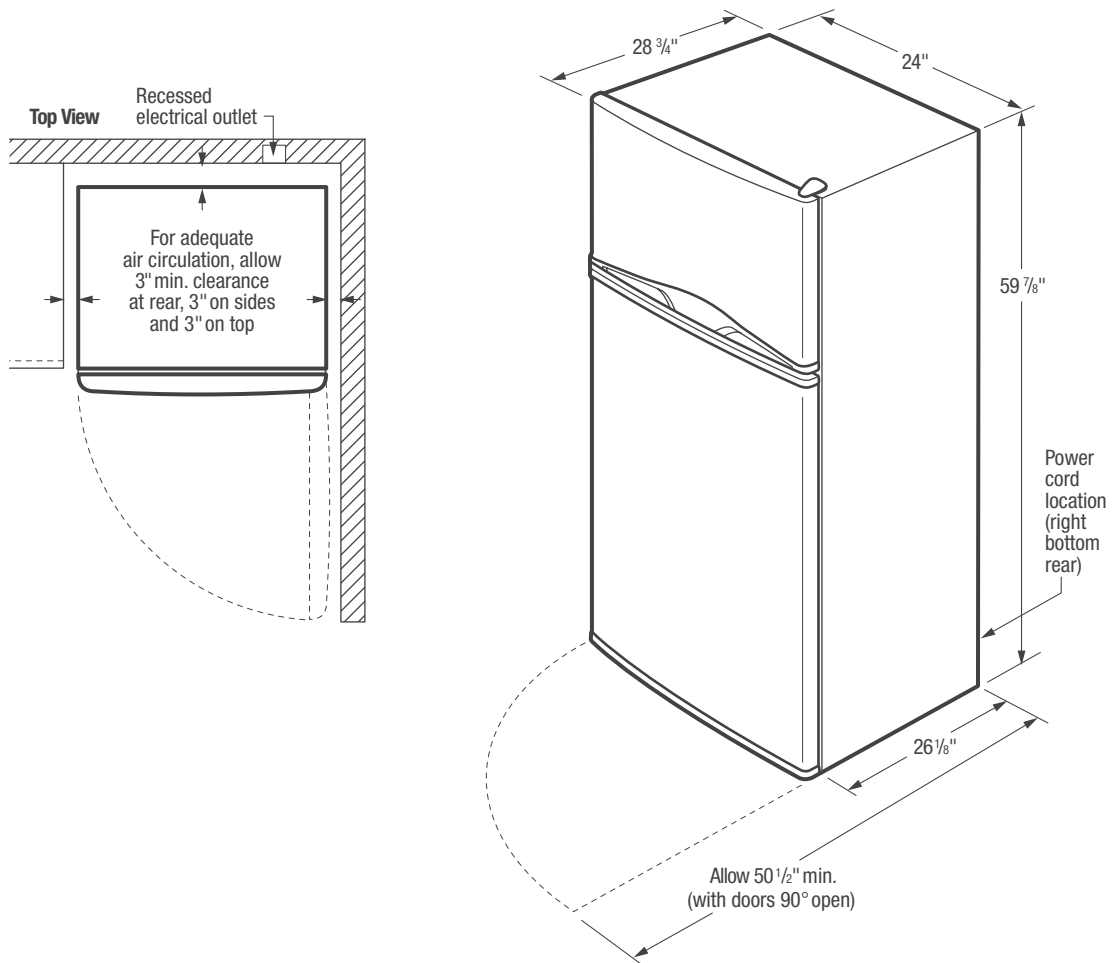


NOTE: For planning purposes only. Always consult local and national electric codes. Refer to Product Installation Guide for detailed installation instructions on the web at [frigidaire.com](http://frigidaire.com).



Product Dimensions	
A - Height	59-7/8"
B - Width	24"
C - Depth (Incl. Door)	28-3/4"
D - Depth with Door Open 90°	50-1/2"

Accessories information available on the web at [frigidaire.com](http://frigidaire.com)



### Apartment Refrigerator Specifications

- Product Shipping Weight (approx.) - 150 Lbs.
- Voltage Rating - 115V/60 Hz/15 Amps.
- Always consult local and national electric codes.
- For adequate air circulation, allow 3" minimum clearance at rear, 3" on sides and 3" on top.
- Locate where surrounding air temperature will not exceed 110° F or drop below 10° F, to ensure optimum performance.

- All bottom corners of unit MUST rest firmly on solid level surface of hard material, same height as flooring. Surface must be strong and stable enough to support unit when fully loaded.
- Equipped with adjustable leveling legs to ensure unit is level, which is required in order to function properly.

**Note:** For planning purposes only. Refer to Product Installation Guide on the web at [frigidaire.com](http://frigidaire.com) for detailed instructions.