



Microwaves

FFMV162L S/M/W/B/Q

30" Over-The-Range



Signature Features

One-Touch Options

Our microwaves feature easy-to-use one-touch buttons so you can cook baked potatoes, popcorn, or even add 30 seconds with the touch of a button.

Fits-More™ Capacity

Extra-large microwave provides 1.6 Cu. Ft. of cooking space and will hold almost any dish—even a 13" x 9" baking dish.

Multi-Stage Cooking

Our Multi-Stage Cooking option allows you to program power levels and cooking times in advance, so you can program it to defrost, cook and keep a meal warm all at once.

Ready-Select® Controls

Easily select options with the touch of a button.

Product Dimensions

| | |
|--------|-----------|
| Height | 16-13/32" |
| Width | 29-7/8" |
| Depth | 15-1/32" |

More Easy-To-Use Features

Two-Speed Ventilation

Over-the-range microwave doubles as a hood with two fan speeds.

Extra-Large 13-19/32" Diameter Glass Turntable

10 Cooking Power Levels

Auto-Reheat Options

Control Lock Option

Electronic Clock & Timer

Vent Filters

Dishwasher-safe.

Auto-Start Heat Sensor Vent Fan

Ductless Vent Installation Option Included

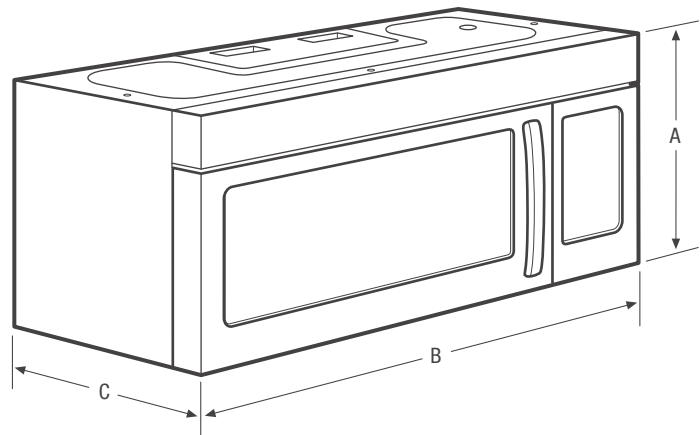
Attractive Stainless Steel Exterior¹

Available in:



¹Select models only.

| | |
|---|--|
| Features | |
| Control/ Timing System | Ready-Select® |
| Exterior Door Finish | Stainless Steel (S), Color-Coordinated (M/W/B/Q) |
| Handle Design | Black (S/M), Color-Coordinated (W/B/Q) |
| Microwave Capacity (Cu.Ft.) | 1.6 |
| Convection | |
| Watts (IEC-705 Test Procedure) | 1,000 |
| Interior Light | Yes |
| Interior Color | White |
| Turntable Diameter | 13-19/32" |
| Turntable On/Off | |
| Control Lock | Yes |
| Clock | Yes |
| Touch Pad Buttons | 23 |
| Power Levels | High (1-9) |
| Accessory Metal Rack | |
| Microwave Control Options | |
| Popcorn Button | Yes |
| Chicken Nugget Button | |
| Baked Potato Button | Yes |
| Sensor Reheat Button | |
| Snack Button | |
| Beverage | Yes |
| Auto Melt & Soften Options | |
| Auto Reheat Options | Yes |
| Snack Menu Options | |
| Auto Cook Options | |
| Auto Defrost Options | Weight/Time |
| Multi-Stage Cooking Option | Yes |
| Keep Warm | |
| Add-30-Seconds | Yes |
| Sensor Cooking Options | |
| Vegetable Cook Sensor | |
| Delay Start | |
| User Preferences | |
| Ventilation System | |
| Ducted/Ductless Installation Option | Yes |
| Exhaust Fan (CFM) | 2-Speed 170/300 |
| Cooktop Light | Yes |
| Auto-Start Heat Sensor | Yes |
| Dishwasher-Safe Vent Filter (Ductless Installation) | Yes |
| Power Ratings | |
| Frequency (MHz) | 2,450 |
| Watts @ 120 Volts | 1,550 |
| Amps @ 120 Volts | 13 |
| Optional Accessories | |
| 36" Stainless Steel Filler Panel Kit | PN# MWFILKTSS |
| 36" White Filler Panel Kit | PN# MWFILKTWH |
| 36" Black Filler Panel Kit | PN# MWFILKTBK |
| Specifications | |
| Oven Interior (HxWxD) | 9-1/4" x 20-1/4" x 14-13/32" |
| Power Supply Connection Location | Right Top Rear |
| Voltage Rating | 120V / 60Hz / 15A |
| Connected Load (kW Rating) @ 120 Volts ¹ | 1.55 |
| Minimum Circuit Required (Amps) | 15 |
| Shipping Weight (Approx.) | 69 Lbs. |



NOTE: For planning purposes only. Always consult local and national electric codes. Refer to Product Installation Guide for detailed installation instructions on the web at frigidaire.com.



| Product Dimensions | |
|--------------------|-----------|
| A - Height | 16-13/32" |
| B - Width | 29-7/8" |
| C - Depth | 15-1/32" |

| Cutout Dimensions | |
|---|-----|
| Height (Min. from floor to top of unit) | 66" |
| Width (Min.) | 30" |
| Depth (Min.) | 12" |
| Depth (Max.) | 13" |

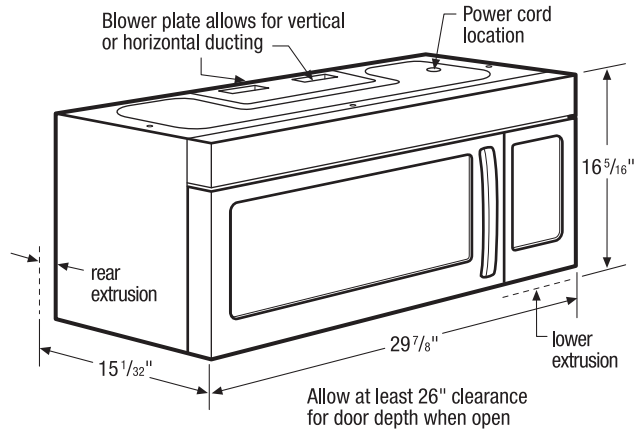
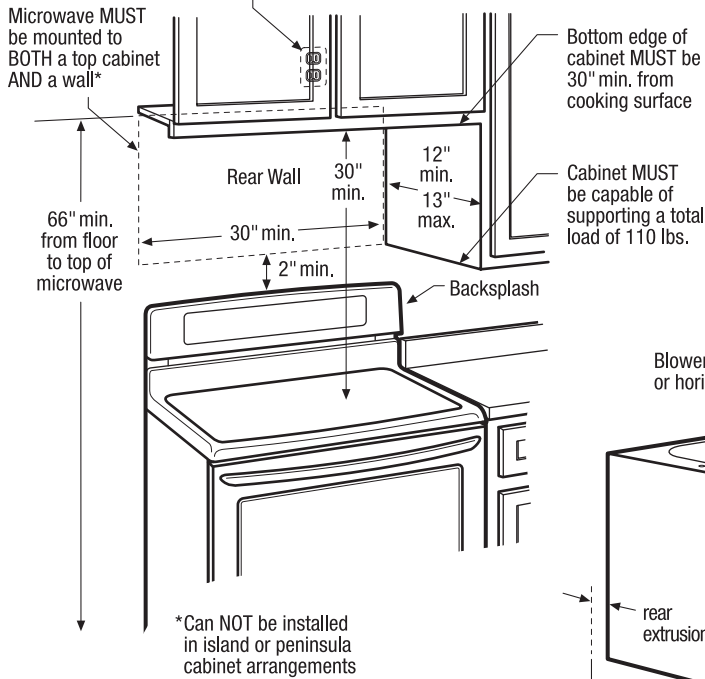
¹For use on adequately wired 120V, dedicated circuit having 2-wire service with a separate ground wire. Appliance must be grounded for safe operation.

Accessories information available on the web at frigidaire.com

FRIGIDAIRE

USA • 10200 David Taylor Drive • Charlotte, NC 28262 • 1-800-FRIGIDAIRE • frigidaire.com
 CANADA • 5855 Terry Fox Way • Mississauga, ON L5V 3E4 • 1-800-265-8352 • frigidaire.ca

Locate 120V/60Hz grounded outlet inside upper cabinet



Microwave Specifications

- Product Shipping Weight (approx.) - 69 Lbs.
- Voltage Rating - 120V / 60 Hz / 15 Amps
- Connected Load (kW Rating) @ 120 Volts = 1.55kW (For use on adequately wired 120V, dedicated circuit having 2-wire service with a separate ground wire. Appliance must be grounded for safe operation.)
- Amps @ 120 Volts = 13 Amps
- Always consult local and national electric codes.
- Grounded outlet should be located in cabinet above, with hole in base to route power cord. Carefully follow top template instructions for power cord clearance when installing beneath smooth, flat cabinets.
- Microwave's exhaust ventilation system is preset to recirculate air inside with no ducting system required. Exhausting air outside is optional, using either vertical or horizontal ducting system. (Refer to Ducted Option Specifications for outside ventilation.)
- For safe and proper installation, microwave MUST be mounted to BOTH a top cabinet AND a wall, and connected to at least one wall stud. Can NOT be installed in island or peninsula cabinet arrangements.
- Cabinet bottom MUST be level to insure proper installation.
- Cabinet MUST be capable of supporting a total load of 110 lbs.
- Filler blocks recommended for installation when cabinet front hangs below recessed bottom shelf.
- Minimum distance of 30" required from cooking surface to bottom edge of top cabinet.
- Minimum distance of 66" required from floor to top of microwave.
- Opening between cabinets MUST be 30" wide and free of obstructions. For openings up to 36" wide, order optional 36" Filler Panel Kit to fill in gap between unit and cabinets.
- Allow 26" minimum clearance for 90° door swing.

Ducted Option Specifications

- For outside ventilation.
- Exhaust duct adapter will be needed for outside ventilation, to mate with standard 3-1/4" x 10" rectangular duct. If round duct required, rectangular-to-round transition adapter will be needed with no less than 6" diameter.
- For most efficient airflow exhaust, use a straight run or as few elbows as possible with a maximum duct length of 3-1/4" x 10" rectangular or 6" diameter round duct, not to exceed 140 equivalent feet.
- For horizontal installation, be sure to allow enough space between wall studs to accommodate exhaust.
- Refer to installation instructions on web for detailed duct preparation and converting exhaust vent blower system for exterior exhaust ventilation.

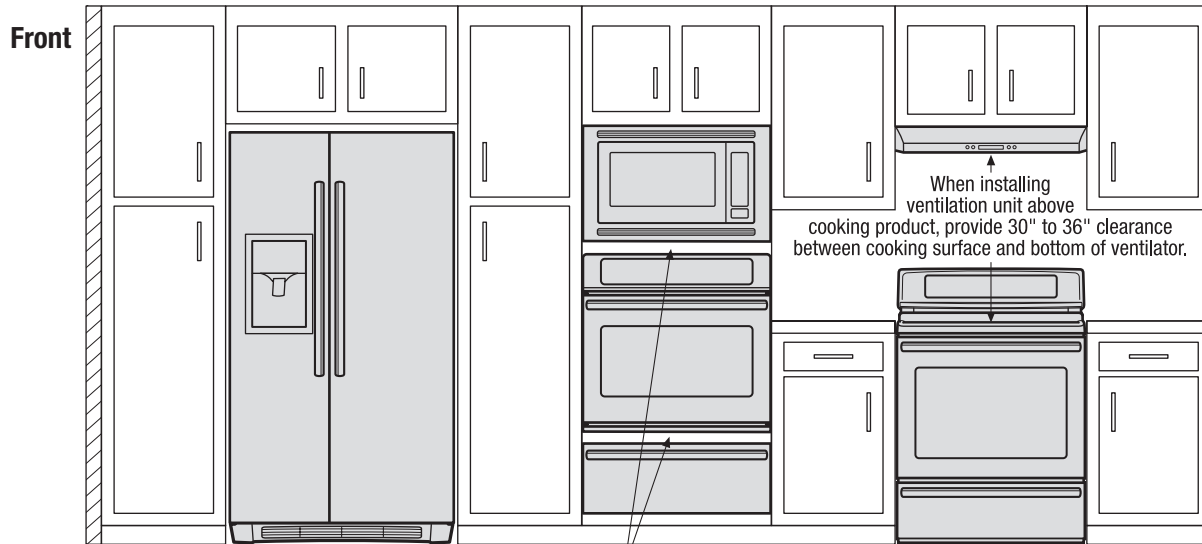
Note: For planning purposes only. Refer to Product Installation Guide on the web at frigidaire.com for detailed instructions.

Optional Accessories

- 36" Stainless Steel Filler Panel Kit - (PN# MWFILKTSS).
- 36" White Filler Panel Kit - (PN# MWFILKTWH).
- 36" Black Filler Panel Kit - (PN# MWFILKTBK).

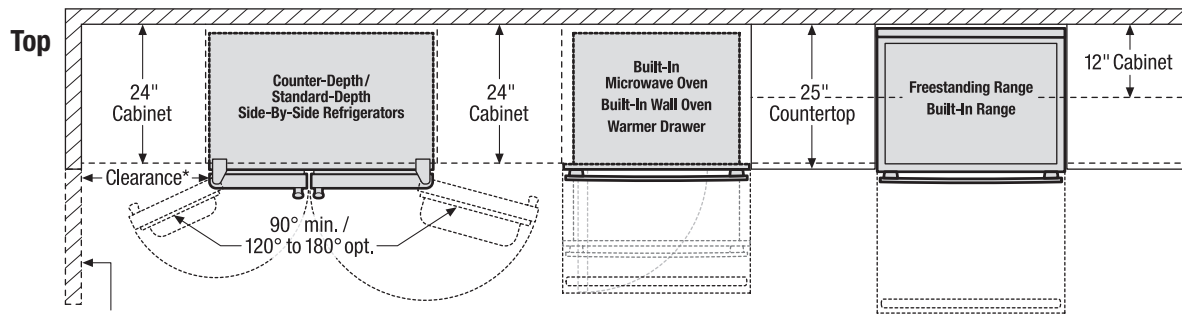


Use these dimensions and clearance instructions for planning purposes only. For detailed installation instructions, refer to installation guide, packed with product, or on the web at frigidaire.com.



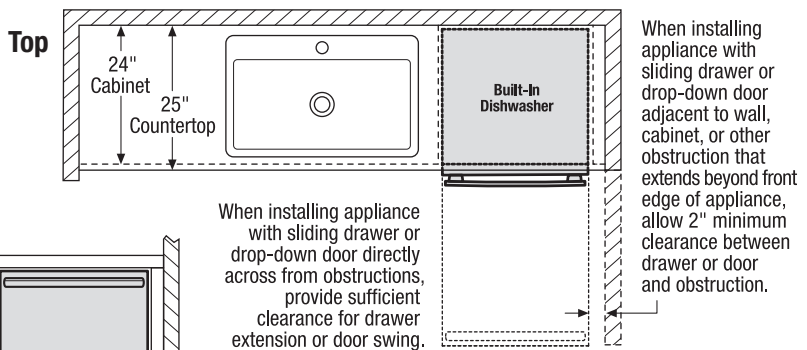
When installing built-in cooking appliances in combination, 2"-high minimum visible gap between appliance faceplates required.

Clearance information for cooking appliances, provided in specific product's installation guide.



*When installing side-by-side refrigerator adjacent to wall, cabinet or another appliance that extends beyond front edge of unit, 20" minimum clearance recommended to allow for optimum 120° to 180° door swing, providing complete drawer/crisper access and removal. (Absolute 4-1/2" minimum clearance will ONLY allow for 90° door swing which will provide limited drawer/crisper access with restricted removal.)

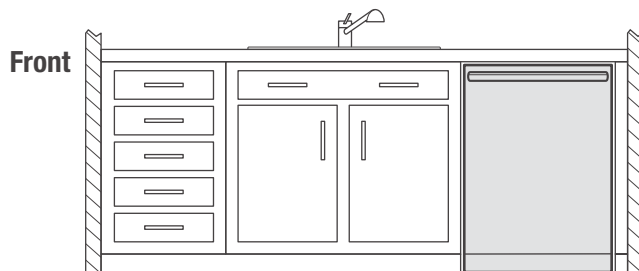
When installing appliance with sliding drawer, swinging or drop-down door directly across from obstructions, provide sufficient clearance for drawer extension or door swings.



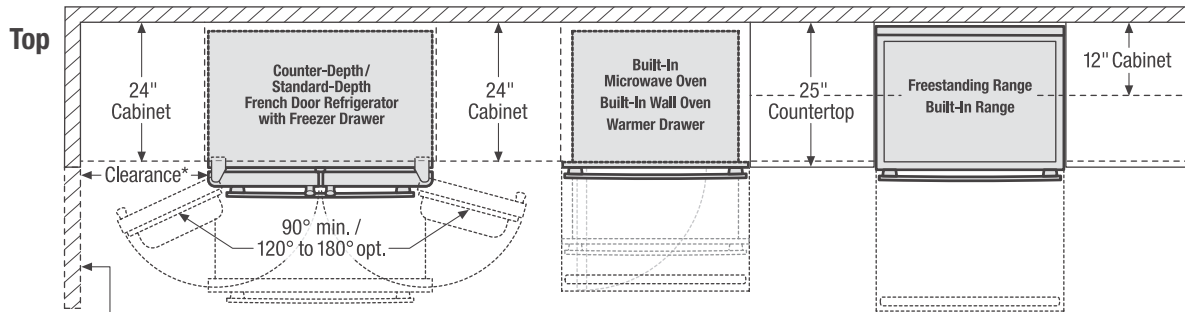
Use these dimensions and clearance instructions for planning purposes only. For detailed installation instructions, refer to installation guide, packed with product, or on the web at frigidaire.com.



*When installing top mount refrigerator adjacent to wall, cabinet or other appliance that extends beyond front edge of unit, 20" minimum clearance recommended to allow for optimum 140° door swing, providing complete crisper access and removal. (Absolute 3" minimum clearance will ONLY allow for 90° door swing which will provide limited crisper access with restricted removal.)

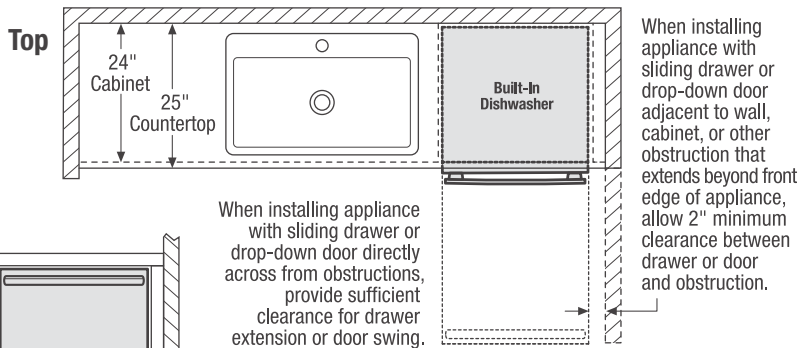


Use these dimensions and clearance instructions for planning purposes only. For detailed installation instructions, refer to installation guide, packed with product, or on the web at frigidaire.com.



*When installing French door refrigerator adjacent to wall, cabinet or another appliance that extends beyond front edge of unit, 20" minimum clearance recommended to allow for optimum 120° to 180° door swing, providing complete drawer/crisper access and removal. (Absolute 4-1/2" minimum clearance will ONLY allow for 90° door swing which will provide limited drawer/crisper access with restricted removal.)

When installing appliance with sliding drawer, swinging or drop-down door directly across from obstructions, provide sufficient clearance for drawer extension or door swings.



When installing appliance with sliding drawer or drop-down door directly across from obstructions, provide sufficient clearance for drawer extension or door swing.

Use these dimensions and clearance instructions for planning purposes only. For detailed installation instructions, refer to installation guide, packed with product, or on the web at frigidaire.com.

