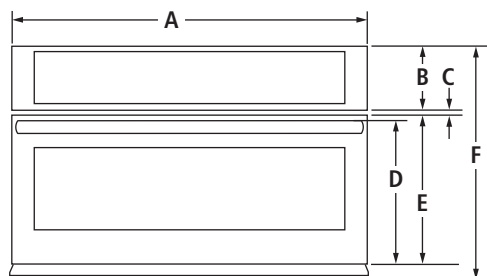


BUILT-IN MICROWAVE OVENS

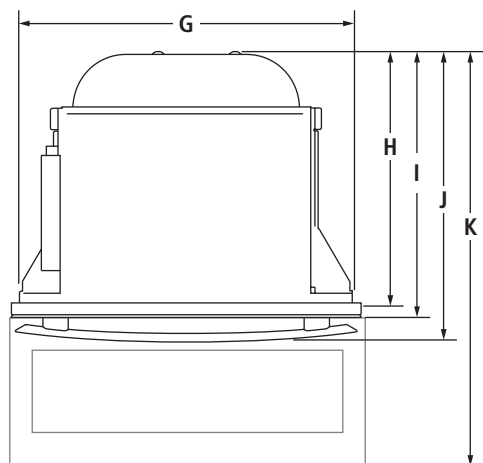
JMC2430D – 29¾" x 19⅞" x 24¾"

JMC2427D – 26¾" x 19⅞" x 24⅞"

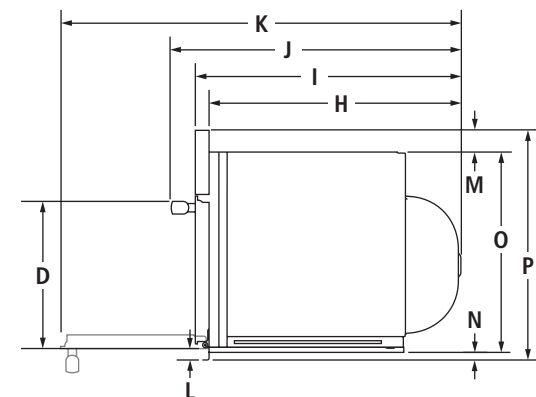
PRODUCT DIMENSIONS



FRONT VIEW



TOP VIEW



SIDE VIEW

MODEL #		JMC2430D		JMC2427D	
		in	cm	in	cm
<b>A</b>	Overall width	29¾	75.6	26¾	68.0
<b>B</b>	Height of control panel	5½	14.0	5½	14.0
<b>C</b>	Space between control panel and door				
	Pro-Style® Stainless	⅞	1.1	—	—
	Euro-Style Stainless	⅞	1.1	⅞	1.1
	Black Floating Glass	½	1.2	—	—
<b>D</b>	Height to top of handle				
	Pro-Style® Stainless	12⅜	31.4	—	—
	Euro-Style Stainless	12⅜	31.0	12⅜	31.0
	Black Floating Glass	12⅜	31.0	—	—
<b>E</b>	Height of door	12¾	32.3	12¾	32.3
<b>F</b>	Overall height	19⅞	50.3	19⅞	50.3
<b>G</b>	Width of recessed oven	28⅜	72.1	25⅜	64.5
<b>H</b>	Depth of recessed oven	21½	54.6	21½	54.6
<b>I</b>	Depth with door				
	Pro-Style® Stainless	22⅞	57.7	—	—
	Euro-Style Stainless	22⅞	57.7	22⅞	57.5
	Black Floating Glass	22⅞	57.5	—	—
<b>J</b>	Depth with handle				
	Pro-Style® Stainless	25⅜	64.4	—	—
	Euro-Style Stainless	24¾	62.9	24⅞	62.8
	Black Floating Glass	24⅞	62.8	—	—
<b>K</b>	Depth with door fully open				
	Pro-Style® Stainless	34⅜	87.4	—	—
	Euro-Style Stainless	34⅜	87.4	34⅜	87.4
	Black Floating Glass	34½	87.6	—	—
<b>L</b>	Height of trim				
	Pro-Style® Stainless	1⅞	2.9	—	—
	Euro-Style Stainless	1⅞	2.9	1⅞	3.0
	Black Floating Glass	1⅞	3.0	—	—
<b>M</b>	Height from top of recessed oven to top of control panel	1⅞	5.0	1⅞	5.0
<b>N</b>	Height from bottom of recessed oven to bottom of trim	⅞	1.6	⅞	1.6
<b>O</b>	Height of recessed oven	17⅜	44.1	17⅜	44.1
<b>P</b>	Height to top of control panel	19⅞	48.8	19⅞	48.8

**IMPORTANT:** Dimensional specifications are provided for planning purposes only. Do not make any cutouts based on this information. Refer to the Installation Guide before selecting cabinetry, verifying electrical/gas connections, making cutouts or beginning installation. All Jenn-Air® appliances are appropriately UL, CUL or CSA approved.

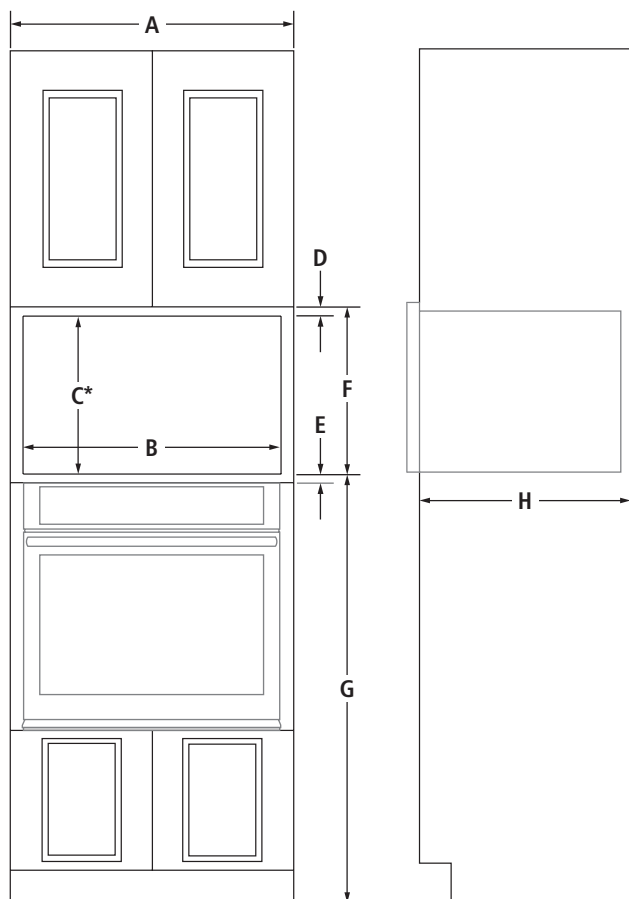


BUILT-IN MICROWAVE OVENS

JMC2430D – 29¾" x 19⅞" x 24¾"

JMC2427D – 26¾" x 19⅞" x 24⅞"

OPENING/CLEARANCE DIMENSIONS



FRONT VIEW – INSTALLATION OVER SINGLE OVEN

SIDE VIEW

Approved models: JJW3430D, JJW2430D, JJW2427D

MODEL #		JMC2430D		JMC2427D	
		in	cm	in	cm
A	Width of cabinet (min.)	30	76.2	27	68.6
B	Width of cutout	28½	72.4	25½	64.8
C*	Height of cutout	17⅞-17¾	44.1-45.1	17⅞-17¾	44.1-45.1
D	Top of cutout to bottom of upper cabinet (min.)	2⅜	5.5	2⅜	5.5
E	Bottom of cutout to top of single oven (min.)	1	2.5	1	2.5
	Bottom of cutout to top of cabinet door (min.)	1½	3.8	1½	3.8
F	Bottom of cutout to bottom of upper cabinet door	19⅞	50.3	19⅞	50.3
G	Bottom of cutout to floor (recommended)	40	101.6	40	101.6
H	Depth of cutout (min.)	21⅞	55.5	21⅞	55.5

\*Optional spacer kits are available for a cutout height of 19"-19⅜" (48.3-50.2 cm).

ELECTRICAL REQUIREMENTS

240 volt, 20-amp fused, grounded circuit is required. A dedicated circuit is recommended.

The length of conduit provided is for serviceability. Do not cut the conduit. The junction box should be located 3" (7.6 cm) maximum below the support surface. Drill a 1" (2.5 cm) minimum diameter hole in the left rear corner of the support surface for access to the junction box.

If the junction box is on the rear wall behind the oven, it must be recessed and located in any corner of the cabinet.

LOCATION REQUIREMENTS

Support structure must be able to support 90 lb (41.0 kg) including microwave oven and contents.

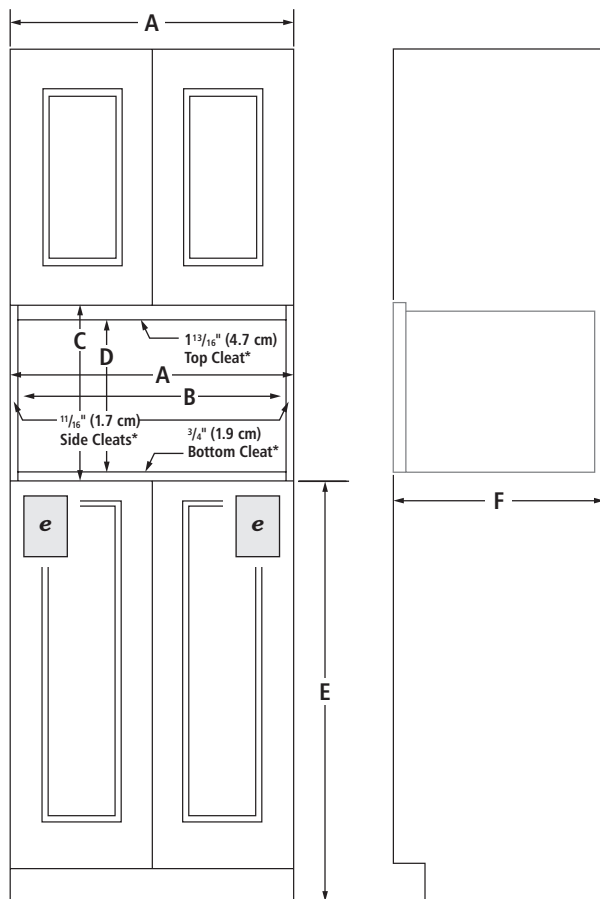
**IMPORTANT:** Dimensional specifications are provided for planning purposes only. Do not make any cutouts based on this information. Refer to the Installation Guide before selecting cabinetry, verifying electrical/gas connections, making cutouts or beginning installation. All Jenn-Air® appliances are appropriately UL, CUL or CSA approved.

**BUILT-IN MICROWAVE OVENS – FLUSH INSTALLATION**

**JMC2430D** – 29<sup>3</sup>/<sub>4</sub>" x 19<sup>7</sup>/<sub>8</sub>" x 22<sup>1</sup>/<sub>16</sub>" (depth without handle)

**JMC2427D** – 26<sup>3</sup>/<sub>4</sub>" x 19<sup>7</sup>/<sub>8</sub>" x 22<sup>5</sup>/<sub>8</sub>" (depth without handle)

**OPENING/CLEARANCE DIMENSIONS**



**FRONT VIEW**

**SIDE VIEW**

MODEL #	JMC2430D		JMC2427D	
	in	cm		
<b>A</b>	Width of flush inset cutout (min.)	30 <sup>1</sup> / <sub>4</sub> 76.8	27 <sup>1</sup> / <sub>4</sub> 69.2	
<b>B</b>	Width of opening (min.)	28 <sup>7</sup> / <sub>8</sub> 70.8	25 <sup>7</sup> / <sub>8</sub> 65.7	
<b>C</b>	Height of flush inset cutout (min.)	20 <sup>3</sup> / <sub>16</sub> 51.3	20 <sup>3</sup> / <sub>16</sub> 51.3	
<b>D</b>	Height of opening (min.)	17 <sup>5</sup> / <sub>8</sub> 44.7	17 <sup>5</sup> / <sub>8</sub> 44.7	
<b>E</b>	Bottom of cutout to floor	40 101.6	40 101.6	
<b>F</b>	Depth of cutout (min.)	23 <sup>1</sup> / <sub>4</sub> 59.0	23 <sup>1</sup> / <sub>4</sub> 59.0	
<b>e</b>	Recommended junction box location			

**ELECTRICAL REQUIREMENTS**

240 volt, 20-amp fused, grounded circuit is required. A dedicated circuit is recommended.

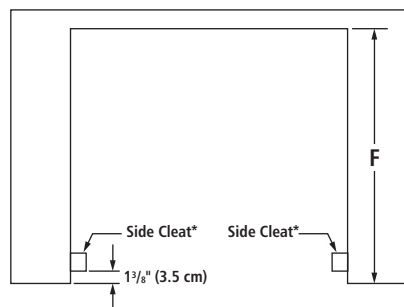
The length of conduit provided is for serviceability. Do not cut the conduit. The junction box should be located 3" (7.6 cm) maximum below the support surface. Drill a 1" (2.5 cm) minimum diameter hole in the left rear corner of the support surface for access to the junction box.

**FLUSH INSTALLATION REQUIREMENTS**

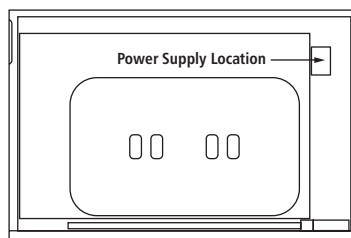
A 2<sup>3</sup>/<sub>4</sub>" (59.0 cm) minimum cutout depth is required.

These dimensions will result in a 1/4" (0.6 cm) reveal on the top, a 1/4" (0.6 cm) reveal on the sides and a 1/8" (0.3 cm) reveal on the bottom of the microwave oven.

The front face of the cleats and platform will be visible and should be treated as a finished surface.



**TOP VIEW**



**BACK VIEW**

\*Cleats and platform must be recessed 1<sup>3</sup>/<sub>8</sub>" (3.5 cm) from the front of the cabinet.

**IMPORTANT:** Dimensional specifications are provided for planning purposes only. Do not make any cutouts based on this information. Refer to the Installation Guide before selecting cabinetry, verifying electrical/gas connections, making cutouts or beginning installation. All Jenn-Air® appliances are appropriately UL, CUL or CSA approved.