

Dishwashers

FGCD2444S F/A¹/W/B

24" Built-In



Product Dimensions

| | |
|------------------------|---------------|
| Height (Adjustable) | 33-1/2" - 35" |
| Width | 24" |
| Depth (Including Door) | 25" |

More Easy-To-Use Features

Stemware Holders & 2 Cup Shelves
Keep cups and glasses organized and in place.

Smudge-Proof™ Stainless Steel³
Resists fingerprints and cleans easily.

Quiet
Run your dishwasher while you're in the same room. It runs at 54 dBA.

Stay-Put Door
The door stays put at whatever angle you open it for easy loading and unloading.

Fits up to 14 Place Settings
Cleans 14 place settings in one cycle.

Greystone, Polymer Tub
Supports the drying process, keeping dishes dry the first time.

Delay Start
Set your dishwasher to run on your schedule. It can be set to run 2, 4 or 6 hours in advance.

Built with American Pride
Designed, engineered and assembled in the U.S.A.

Multiple-Cycle Option
Features easy-to-use cleaning cycle options including Rinse Only, Heavy Clean and Upper Rack.

Signature Features



34-Minute Quick Clean
Saves you time — cleans dishes in 34 minutes.



BladeSpray® Spray Arm
Cleans stubborn baked-on foods in one cycle with four times better water coverage.²



Effortless™ Dry
Move your dishes straight to your cabinets dry, eliminating the need to towel dry.



DishSense™ Technology
Automatically adjusts the cycle time based on how much cleaning your dishes need.

ENERGY STAR®

NSF® International Certification



Available in:



Stainless (F/A¹)



White (W)



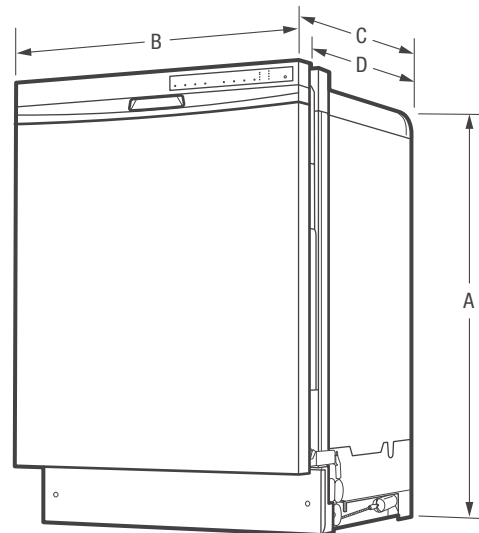
Black (B)

¹Stainless Steel with Matching Console.

²Compared to a traditional spray arm.

³Select models only.

| Features | |
|---|--------------------|
| Control Design | Super Slimline |
| Digital Display | |
| Door Latch/Stay-Put Door Hinge Design | Yes/Yes |
| Low Rinse-Aid Indicator Light | Yes |
| Interior Color/Interior Design | Greystone/Tall Tub |
| Wash System | Direct Feed |
| Wash Arm | BladeSpray® |
| Wash Levels/Wash Speeds | 5/5 |
| DishSense™ Technology | Yes |
| AquaSurge™ Technology | |
| Sound Package | Ultra Quiet IV |
| Filter/Filter Trap | S. Steel/Removable |
| Soft Food Disposer | Yes |
| dB Level | 54 |
| Drying System | Effortless™ Dry |
| Cycles | |
| Number of Cycles | 5 |
| Heavy Clean | Yes |
| Normal | Yes |
| Light | |
| Quick Wash | Yes |
| Favorite | |
| China Crystal | |
| Rinse Only | Yes |
| Energy Saver Plus | |
| Upper Rack Wash Only | Yes |
| Cycle Indicator Light/Control Lock | Yes/Yes |
| Cycle Complete Floor Beam Indicator | |
| Options | |
| Heat/No Heat Dry | Yes/Yes |
| Hi-Temp Wash | Yes |
| NSF® Certified Sanitize Rinse | Yes |
| Delay Start | 2-4-6 Hour |
| Rack System | |
| Rack Design | Best |
| Rack Coating | Nylon TufRacks™ |
| Upper Rack - | |
| Rack Handles | Yes |
| Stemware/Champagne Glass Holders | |
| Fold-Down Tines | |
| Cup Shelves/Stemware Grips | 2/Yes |
| Versa-Tray™ | |
| Adjustable Rack | |
| Lower Rack - | |
| SpaceWise® Silverware Basket | Ultra 1 |
| Fold-Down Tines | |
| Small Items Cover | |
| Third-Level Rack (Single Tray) | |
| Certifications | |
| ENERGY STAR® | Yes |
| NSF® International Certification | Yes |
| Specifications | |
| Water Inlet Location | Bottom Left |
| Water Usage (Gallons) | 4.9 - 8.5 |
| Water Pressure (PSI) | 20 - 120 |
| Integral Air Gap on Supply | Yes |
| Leveling Legs | 4 |
| Power Supply Connection Location | Right Bottom Front |
| Voltage Rating | 120V/60 Hz |
| Connected Load (kW Rating) @ 120 Volts ¹ | 1.20 |
| Amps @ 120 Volts | 10 |
| Shipping Weight (Approx.) | 83 Lbs. |



NOTE: For planning purposes only. Always consult local and national electric and plumbing codes. Refer to Product Installation Guide for detailed installation instructions on the web at frigidaire.com.



| Product Dimensions | |
|----------------------------|---------------|
| A - Height (Adjustable) | 33-1/2" - 35" |
| B - Width | 24" |
| C - Depth (Including Door) | 25" |
| D - Depth (To Tub Flange) | 22-1/2" |
| Depth with Door Open 90° | 49-1/4" |

| Cutout Dimensions | |
|-------------------|---------|
| Height (Min.) | 34-1/4" |
| Height (Max.) | 35" |
| Width (Min.) | 24" |
| Depth (Min.) | 24" |

¹For use on adequately wired 120V, dedicated circuit having 2-wire service with a separate ground wire. Appliance must be grounded for safe operation.

Accessories information available on the web at frigidaire.com

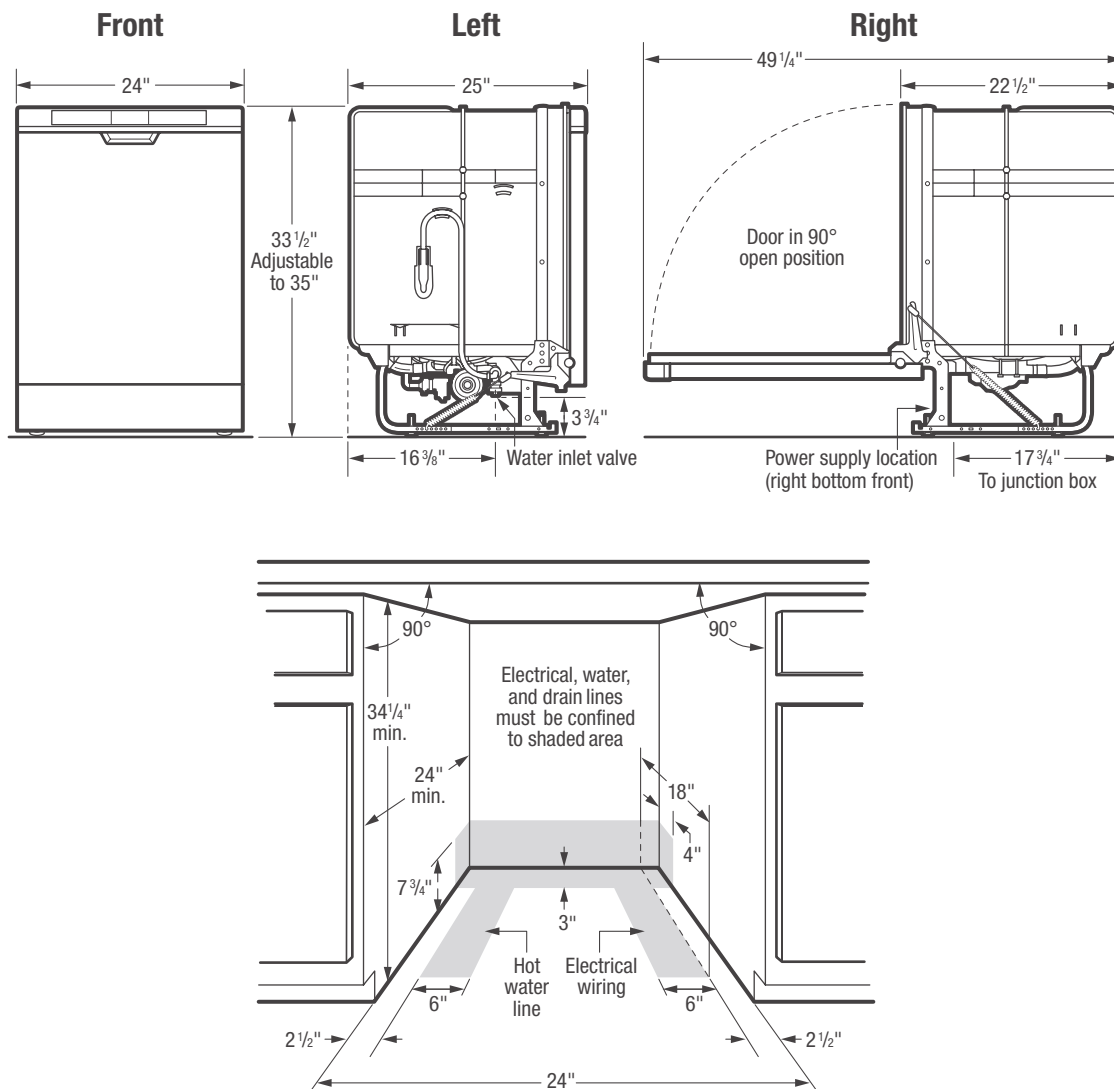
FRIGIDAIRE

USA • 10200 David Taylor Drive • Charlotte, NC 28262 • 1-800-FRIGIDAIRE • frigidaire.com
CANADA • 5855 Terry Fox Way • Mississauga, ON L5V 3E4 • 1-800-265-8352 • frigidaire.ca

FGCD2444S 08/18

© 2018 Electrolux Home Products, Inc.

Specifications subject to change.



Dishwasher Specifications

- Product Shipping Weight (approx.) - 83 Lbs.
- Voltage Rating - 120V / 60 Hz / 15 Amps (maximum 20 Amps if connected with disposer)
- Connected Load (kW Rating) @ 120 Volts = 1.20 kW (For use on adequately wired 120V, dedicated circuit having 2-wire service with a separate ground wire. Appliance must be grounded for safe operation.)
- Amps @ 120V = 10 Amps
- Always consult local and national electric & plumbing codes. Meets requirements of ASSE 1006 – integral air gap on supply.
- Water Pressure - Hot water line to dishwasher must provide between 20 and 120 pounds per square inch (psi) with at least 120° F hot water temperature.
- Make sure location has correct drain, water and electrical outlets to make connections – MUST be confined to shaded areas.
- Electrical and water supplies should enter cabinet opening on floor, or through back or side walls, as shown in shaded areas.
- Keep back free of drain, water & electrical supply.
- Connections preferably located toward left side of dishwasher. Do not cross drain, water or electrical lines in front of motor, blower or frame.

- If connecting drain hose to sink trap, local code may require installation of Air Gap Kit (not included).
- Leveling legs supplied to adjust height.
- When installing adjacent to wall, cabinet or other obstruction that extends beyond front edge of unit, allow 2" minimum clearance between opened door and obstruction.
- Floor should be flat and free of obstructions with carpet removed to provide motor clearance.
- When installing at end of cabinet line, sides and back must be fully enclosed.
- Do not install unit under a cooktop, damage will occur.
- Recommended to seal cabinets, enclosing all sides of dishwasher, including underside of countertop, with oil-based paint or moisture-proof polyurethane to prevent possible steam/moisture damage.
- Once installation is complete, Cabinet Seal Kit (PN# 154528701) available to seal between unit and cabinets.

Note: For planning purposes only. Refer to Product Installation Guide on the web at frigidaire.com for detailed instructions.

Optional Accessories

- Cabinet Seal Kit (PN# 154528701).