

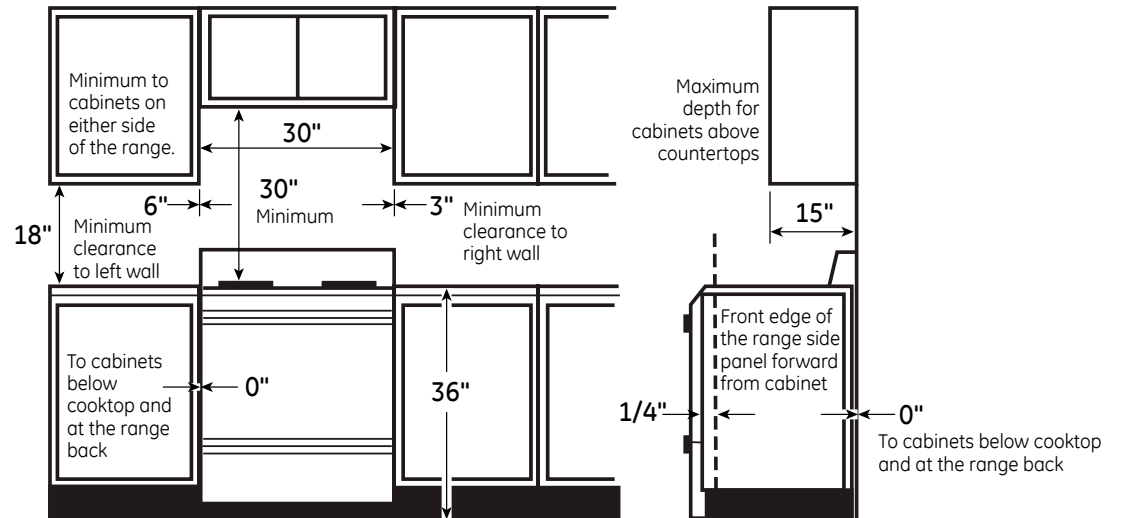
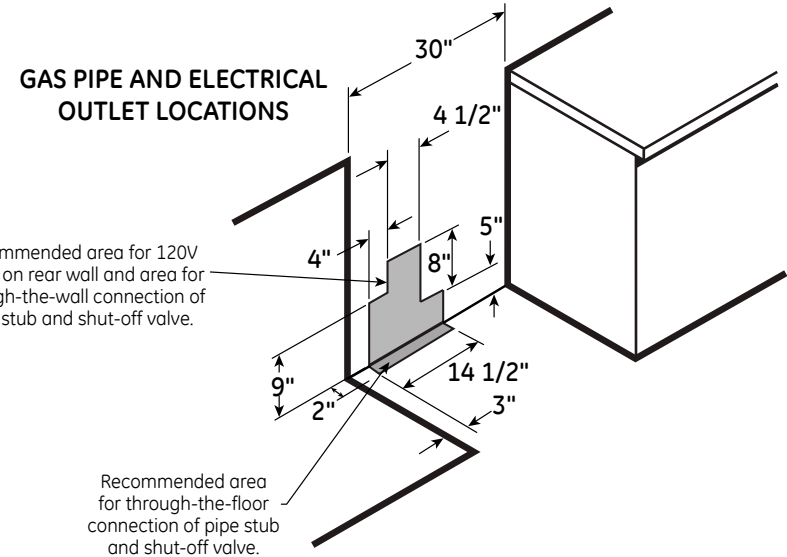
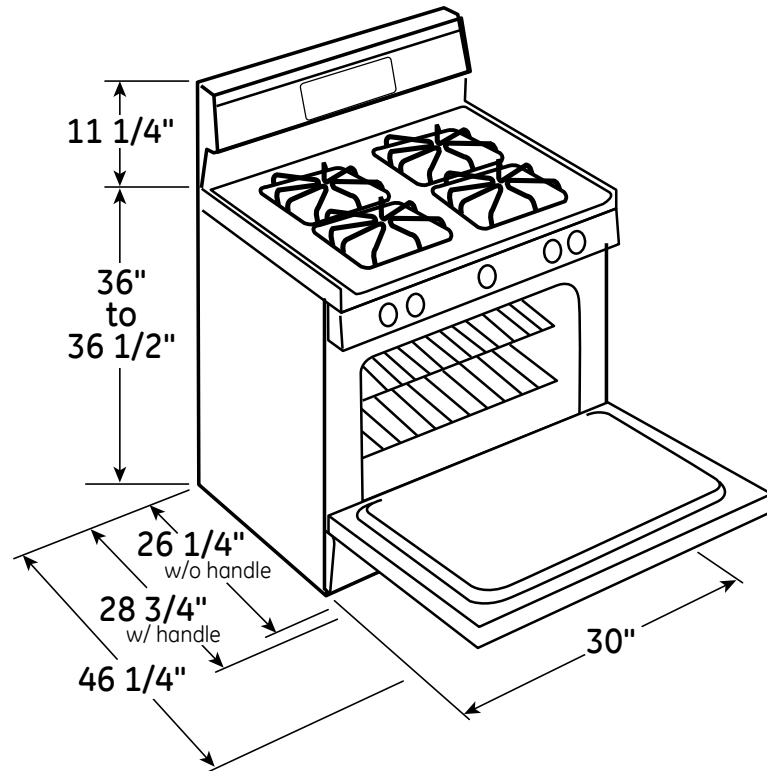
JGB700SEJ

GE® 30" Free-Standing Gas Convection Range

DIMENSIONS AND INSTALLATION INFORMATION (IN INCHES)

ELECTRICAL RATING: 120V, 60Hz, 15A

INSTALLATION INFORMATION: Before installing, consult installation instructions packed with product for current dimensional data.



GE APPLIANCES

For answers to your Monogram,® GE Profile™ or GE® appliance questions, visit our website at geappliances.com or call GE Answer Center® service, 800.626.2000.



All GE ranges are equipped with an Anti-Tip device. The installation of this device is an important, required step in the installation of the range.



JGB700SEJ

GE® 30" Free-Standing Gas Convection Range

FEATURES AND BENEFITS

Edge-to-edge cooktop - A large, continuous cooking surface gives you extra room for pots and pans of all sizes and lets cookware move easily from burner to burner

Extra-large integrated non-stick griddle - Cook up to six grilled cheeses at once on the industry's largest integrated griddle

18,000 BTU Power Boil burner - Boil water fast with intense heat from this 18,000 BTU burner

Gas convection oven - Circulates heat for high-quality results

Self-clean with Steam Clean option - Clean your oven the way you want

Center oval burner - Large oval fifth burner is ideal for griddles

Heavy cast, dishwasher safe grates - Easily and safely clean grates in the dishwasher

Precise Simmer burner - Delicate foods don't burn with low, even heat

5.0 cu. ft. oven capacity - Cook more dishes at once

Model JGB700SEJSS - Stainless steel



GE APPLIANCES