

GDP615HBM/HFM/HSM

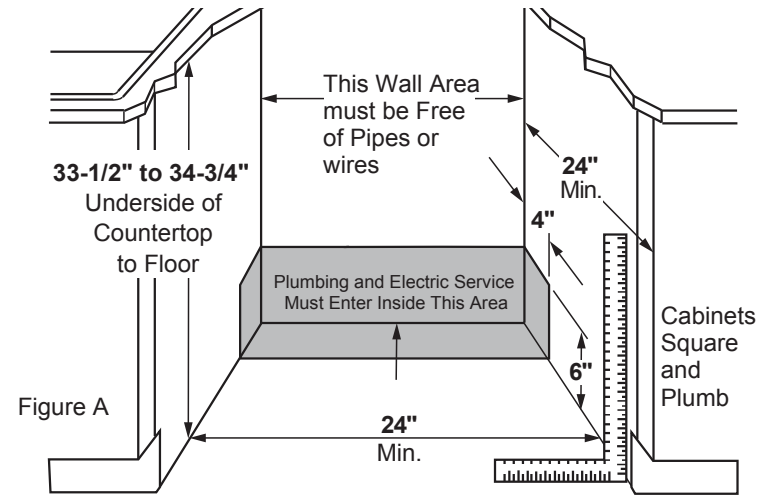
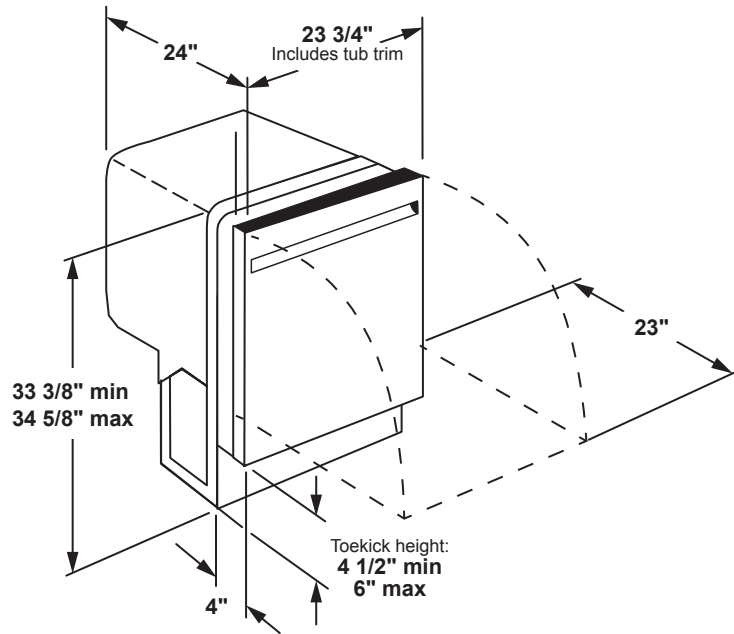
GE® Hybrid Stainless Steel Interior Dishwasher with Hidden Controls

DIMENSIONS AND INSTALLATION INFORMATION (IN INCHES)

ELECTRICAL RATING

Voltage AC.....	120
Hertz.....	60
Total connected load amperage.....	7.1
Calrod® heater watts.....	800/500

For use on adequately wired 120-volt, 15-amp circuit having 2-wire service with a separate ground wire. This appliance must be grounded for safe operation.



For answers to your Monogram, GE Café™ Series, GE Profile™ Series or GE Appliances product questions, visit our website at geappliances.com or call GE Answer Center® Service, 800.626.2000.



Listed by Underwriters Laboratories



As an ENERGY STAR® partner, GE has determined that this product meets the ENERGY STAR guidelines for energy efficiency.

GDP615HBM/HFM/HSM

GE® Hybrid Stainless Steel Interior Dishwasher with Hidden Controls

FEATURES AND BENEFITS

Dry Boost with Fan Assist – Gets hard-to-dry items up to 3 times dryer than standard dry cycles

4 Bottle Wash Jets – Clean hard-to-reach areas inside tall items with up to 4 dedicated jets integrated into the upper rack that shower water deep inside for the ultimate clean

Steam Prewash – Loosens tough soils before any cycle virtually eliminating the need for soaking or pre-rinsing dishes

Wash Zones – Wash a true half-load in either the upper or lower rack without sacrificing cycles and options available on a full wash

Three-level 600 Series Wash System – Get full wash coverage from three pressurized wash zones.

Dedicated Silverware Jets – Get table-ready silverware thanks to powerful jets that focus on silverware baskets

Piranha Hard Food Disposer – To ensure consistently clean items, this stainless steel blade rotates at 3,600 RPM to pulverize food particles and helps to prevent large particles from clogging the wash arms

Adjustable Upper Rack – Fitting plates up to 10½” and other tall items in the upper rack is possible with an adjustment

1 Hr Wash – Enjoy a quality clean when you’re short on time

AutoSense cycle – Automatically adjusts to soil level to maximize energy savings and ensure clean dishes

dBA50

Model GDP615HSMSS – Stainless steel

Model GDP615HBMTS – Black Stainless

Model GDP615HFMDs – Black Slate

