

**en** Burner  
Cleaning instructions

**zh** 爐頭  
清潔說明

<b>en</b> .....	<b>3</b>
<b>zh</b> .....	<b>5</b>

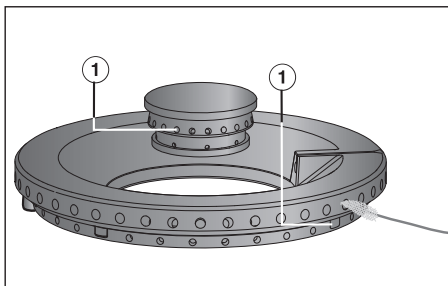
## en - Cleaning the burners

Do not clean any parts of the burners in a dishwasher.

- Remove all loose components of the burners and clean only by hand using a solution of warm water and a little washing-up liquid applied with a soft sponge.

- Finally dry everything thoroughly with a clean cloth. Make sure that the flame openings are completely dry.

The surface of the burner cap will become duller with time. This is completely normal and does not indicate material deterioration.



- Clean any soiling from the flame openings ① with the brush supplied.

### ⚠ Danger of explosion!

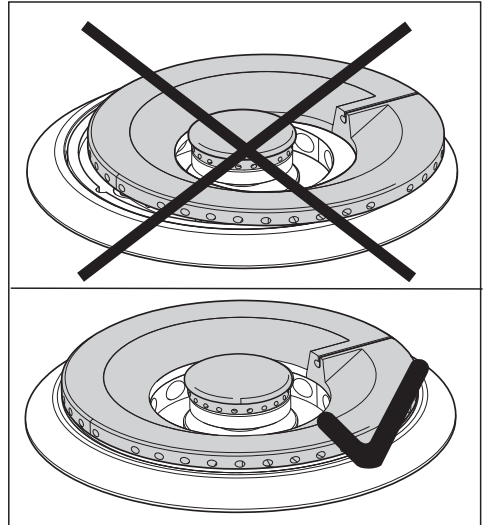
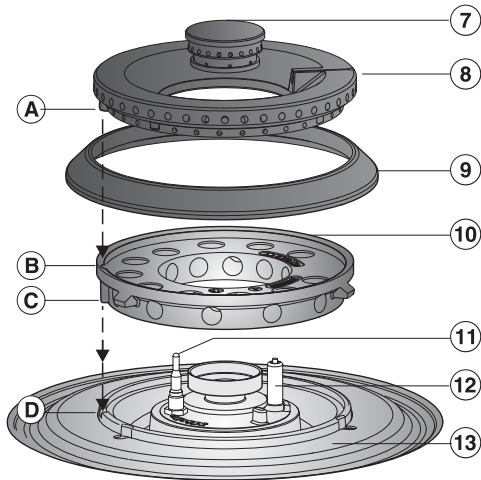
Blocked flame openings can cause a dangerous build-up of gas in the base of the hob which could ignite and cause an explosion. This can lead to damage to the appliance and injury.

Ensure the flame openings are kept clean at all times.

- Parts of the burner that cannot be removed should be wiped clean with a damp cloth only.
- The ignitor and thermocouple should be very carefully wiped clean using a well wrung out cloth.

The ignitor must not get wet, otherwise it will not spark.

## en - Assembling the burners



- Place burner head ⑩ on to burner base ⑬ so that the thermocouple ⑪ and the ignitor ⑫ extend through their respective holes in the burner head.

The lobes A on the burner cap must fit into the recess B on the burner head. The lobes C on the burner head must fit into the recess D on the burner base.

- Replace the burner ring ⑨.
- Then place the burner caps ⑦ and ⑧ in position.

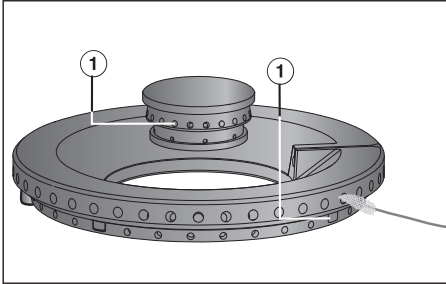
The burners cannot function correctly if they are incorrectly assembled. This can lead to damage to the appliance and injury. Ensure that all parts of the burner are reassembled in the correct order.

- Ignite all burners to check that they are burning correctly:
  - The flame must not go out on the lowest setting, or when the control is turned quickly from the highest to the lowest setting.
  - On the highest setting, the flame must have a distinctive and visible core.

## zh - 清潔爐頭

切勿將爐頭的任何部件放入洗碗碟機內清洗。

- 拆下爐頭所有鬆動的組件，僅使用軟海綿蘸溫水及少許清潔液清潔。



- 使用隨附的清潔刷清潔火孔 ① 上的任何污漬。

### ⚠ 以防爆炸!

火孔阻塞會引致氣體在煮食爐底部積聚，非常危險，可能被點燃並引起爆炸。這可能會損壞爐頭和造成傷害。確保火孔始終保持清潔。

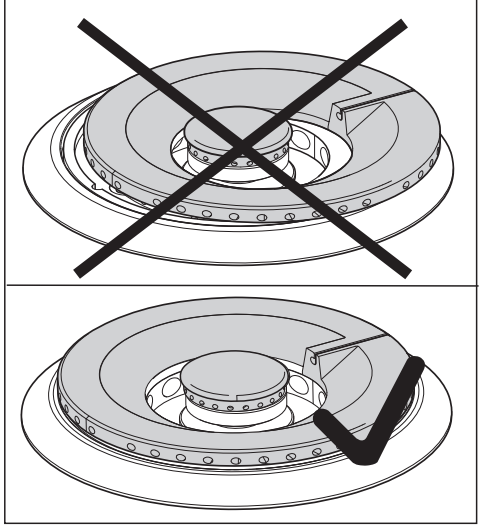
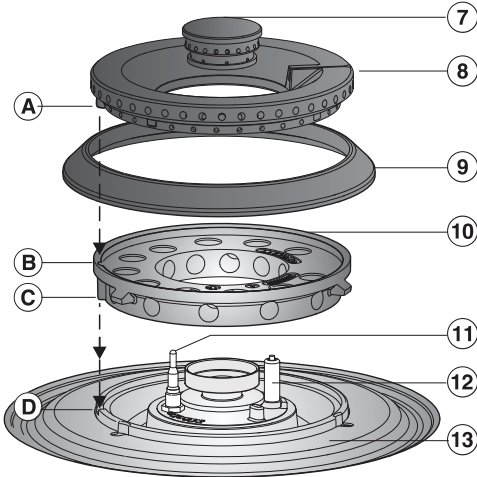
- 不可拆下的部件則只可用濕布清潔。
- 點火裝置和熱電偶須用揩乾了水的濕布輕輕拭抹。

點火裝置不得弄濕，否則無法點火。

- 最後用清潔的布抹乾所有部件。要確保所有火孔要乾透。

爐頭蓋的表面，日久會變得暗啞，這是正常現象，並非材料變質。

## zh - 安裝爐頭



- 將爐頭 ⑩ 放在爐底 ⑬ 上，以使熱電偶 ⑪ 和點火裝置 ⑫ 貫穿爐頭中各自的小孔。  
爐頭蓋上的凸角 ① 必須對準爐頭上的凹槽 ②。爐頭上的凸角 ③ 必須對準爐底上的凹槽 ④。
- 更換爐頭圈 ⑨。
- 然後將爐頭蓋 ⑦ 和 ⑧ 放好。

如安裝錯誤，爐頭無法正常工作。這可能會損壞爐頭和造成傷害。  
確保按正確次序重新安裝爐頭各部份。

- 點燃所有爐頭，檢查它們能否正常燃燒：
  - 必須保證在最低火力或將控制旋鈕從最高火力快速轉到最低火力時爐火不會熄滅。
  - 在最高火力下的火焰須有清晰的中心。



# Miele

Miele & Cie. KG  
Carl-Miele-Straße 29  
33332 Gütersloh  
Germany  
Tel.: +49 5241 89-0  
Fax: +49 5241 89-2090  
Internet: [www.miele.com](http://www.miele.com)

---

M.-Nr. 10 742 130 / 00

CE