

# FOR SERVICE TECHNICIAN'S USE ONLY

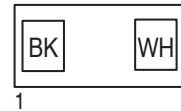
## Wiring Diagram

Do Not Remove Or Destroy

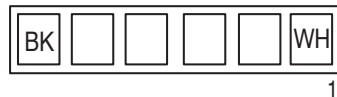
### Quick Connect Plugs

For oven controls

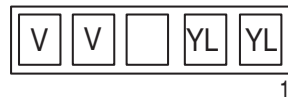
P1 (Red)



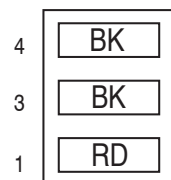
P2 (Blue)



P3 (Red)



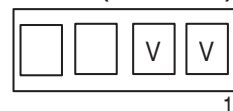
P4 (Red)



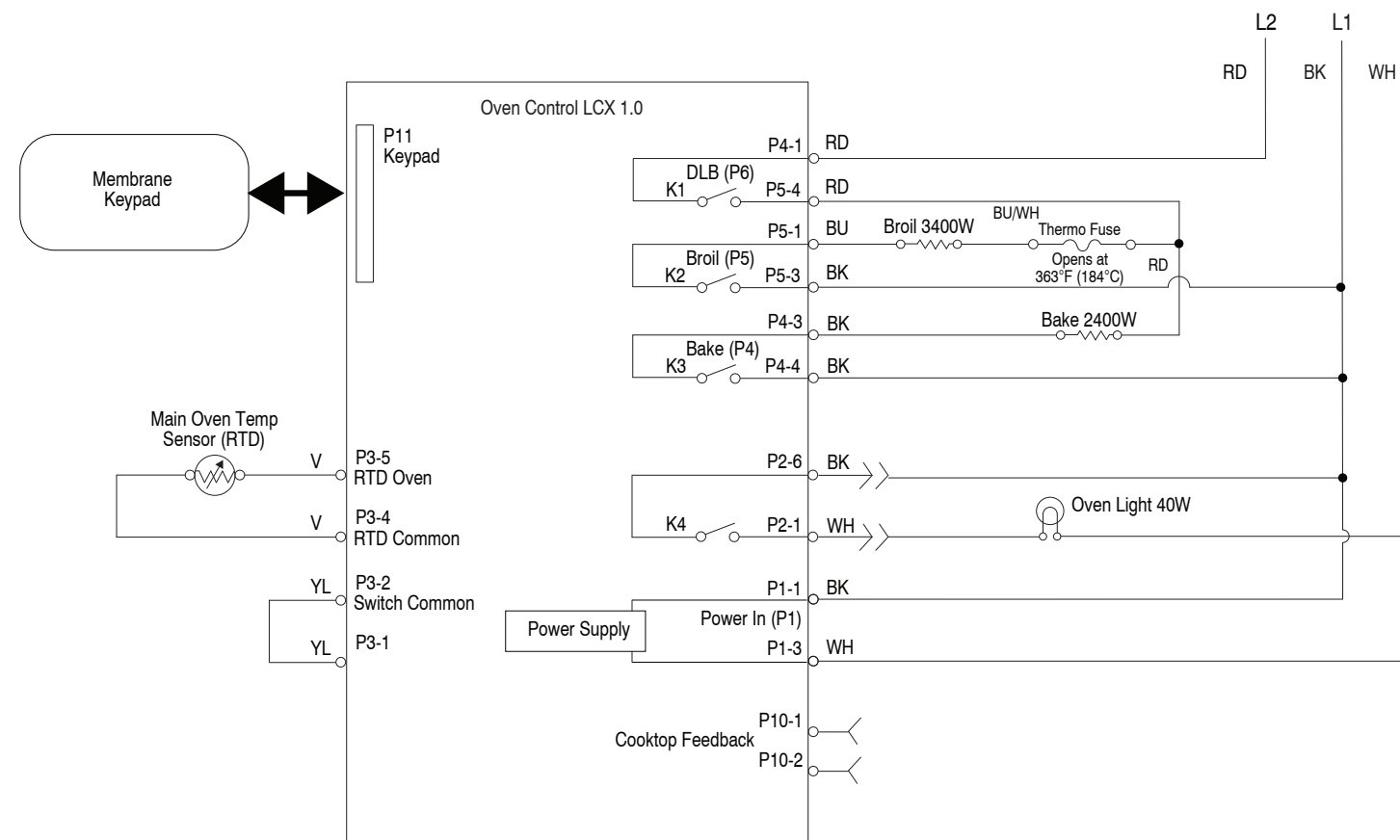
P5 (Blue)



P10 (Yellow)

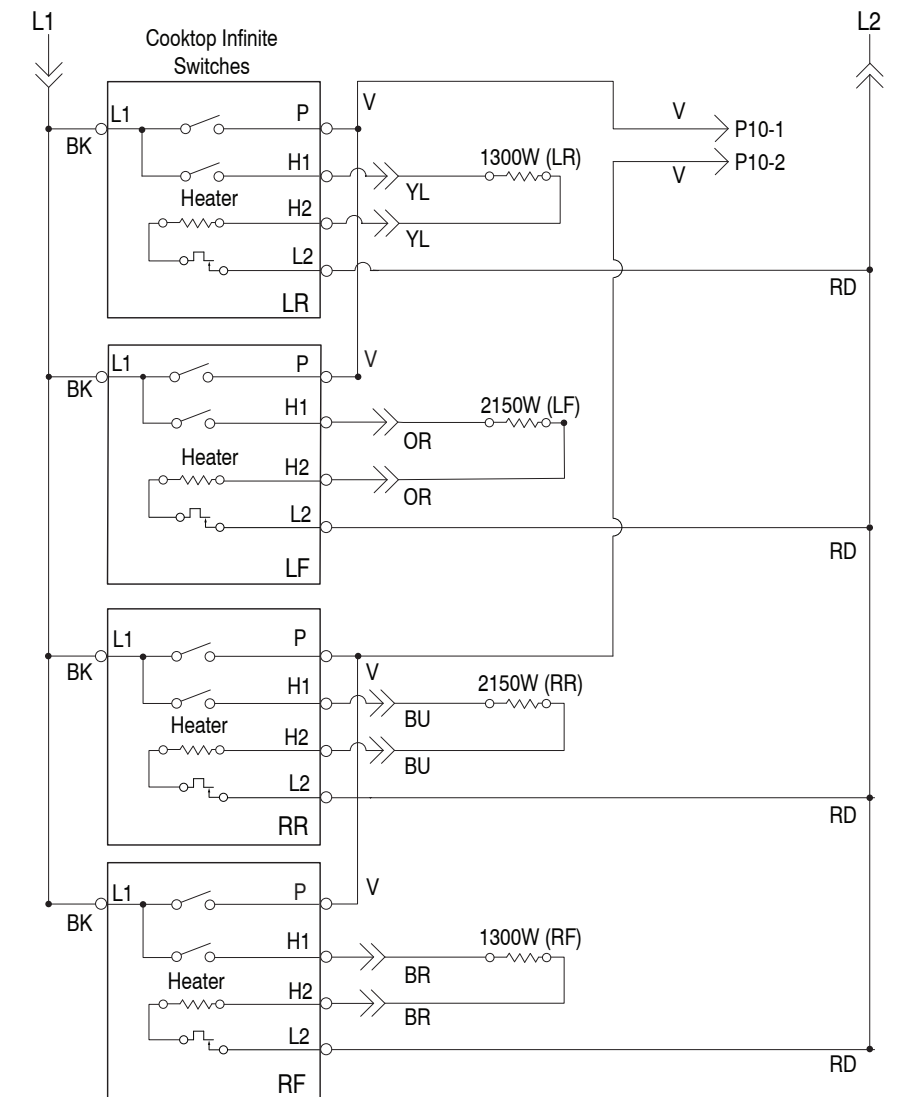


### Oven Control Wiring Diagram



NOTE: Schematic shows oven door open and elements off.

### Cooktop Wiring Diagram



### LEGEND

Connection	No Connection	On Some Models	In-Line Connection	Connector P2, Position 1	Circuitry Enclosed Within	Terminals	Single Switch	Thermal Switch (opens on heat rise)	Thermal Switch (closes on heat rise)	Resistor or Element	Motor	Incandescent Light	Non-resettable Fuse	Thermistor	Indicator Light	Triac	Thermo Fuse