

# Leggett & Platt

INCORPORATED  
HOSPITALITY PRODUCTS

6755 W. 65th Street—Bedford Park, IL 60638

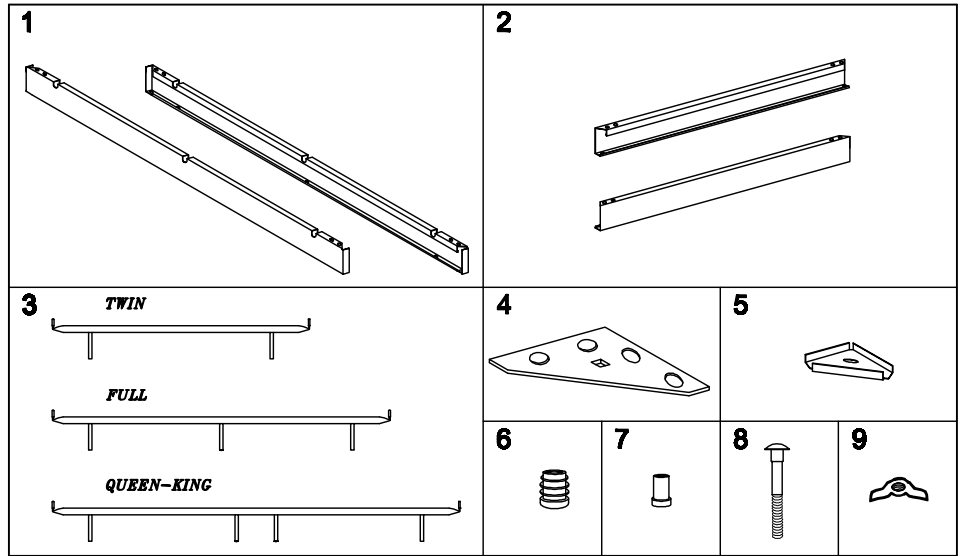
## Parts List For Bed Base

### BASE CARTON

- (1) SIDE PANELS-2
- (2) END PANELS-2
- (3) CROSS SUPPORT RAILS-3
- (4) CORNER PLATES-4
- (5) CORNER CLAMPS-4

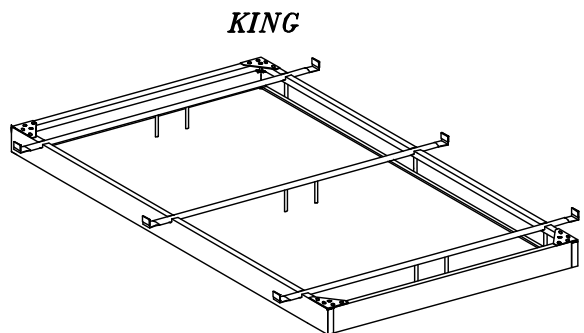
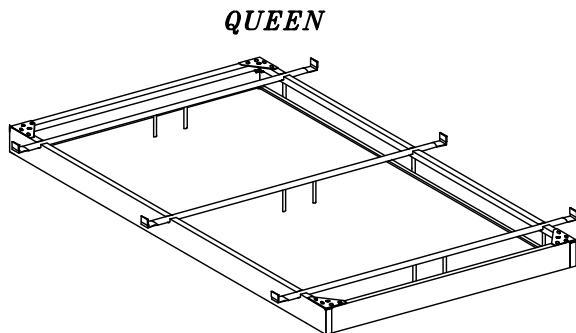
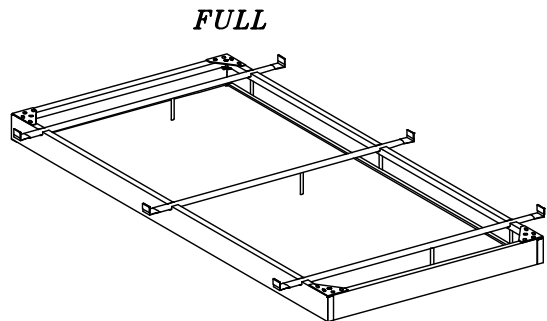
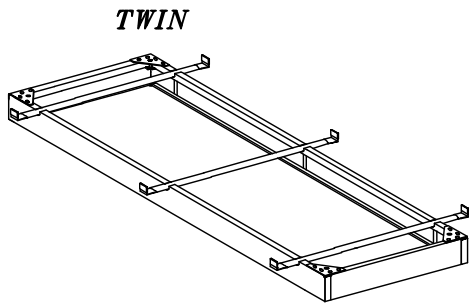
### HARDWARE BAG #404501

- (6) GLIDES-6
- (7) CORNER GLIDES-4
- (8) 6MM X 45MM BOLT-4
- (9) 6MM WING NUT-4



SAVE ALL PACKAGING MATERIALS UNTIL PRODUCT IS FULLY ASSEMBLED. HARDWARE AND SMALL PIECES MAY NOT BE SEEN AND COULD BE ACCIDENTALLY DISCARDED WITH PACKAGING MATERIALS.

### PRODUCT FULLY ASSEMBLED



## Instruction Sheet

### Step 1- Assembly of Side panel and end panel.

- Carefully insert plastic glide (6) and corner glide (7) into pilot holes on side rail (1). SEE FIGURE 1
- Place end panel (2) over corner glide (7). SEE FIGURE 2
- Repeat same steps with the other side rail (1) and end panel (2).

FIGURE 1

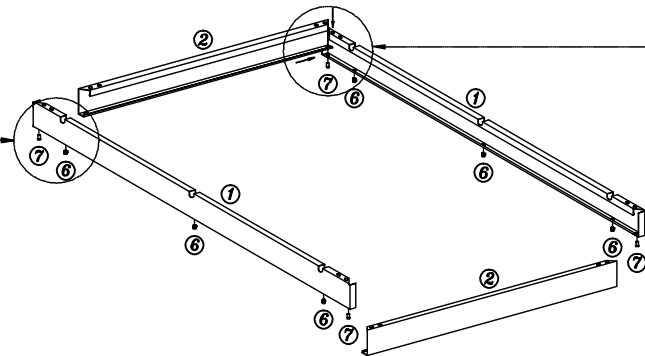
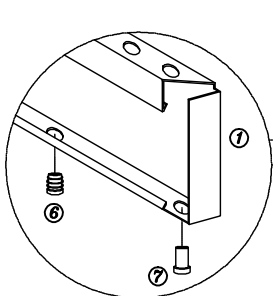
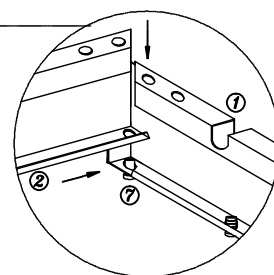


FIGURE 2

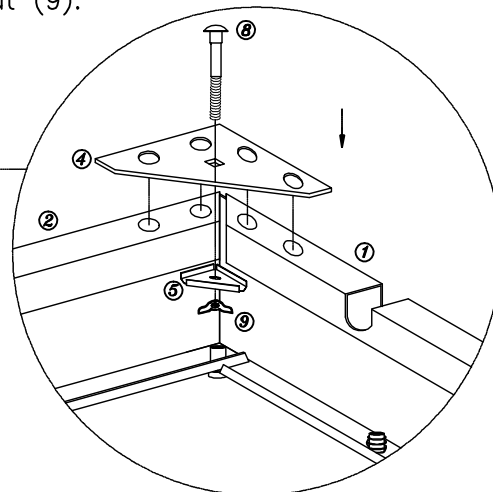
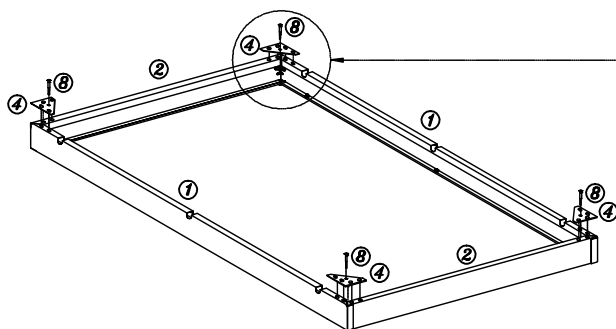


### Step 2- Assembly of Corner Plates and Corner Clamps.

- Place corner plate (4) over pilot holes on side panel (1) and end panel (2). SEE FIGURE 3
- Insert bolt (8) into corner plate (4).
- Place corner clamp (5) under and between side panel (1) and end panel (2) rail. SEE FIGURE 3
- Secure corner plate (4) and corner clamp (5) with wing nut (9).

**DO NOT TIGHT WING NUT COMPLETELY**

FIGURE 3



### Step 3- Assembly of Cross Support Rails.

- Carefully insert legs on cross support rails (3) into slot holes on side rails (1). SEE FIGURE 4
- Align legs on cross support rails (3) over glides (6) on both side rails and then press down on cross support rail (3) leg until fully inserted.
- Tighten wing nut (9) completely. STEP 2 FIGURE 3

FIGURE 4

